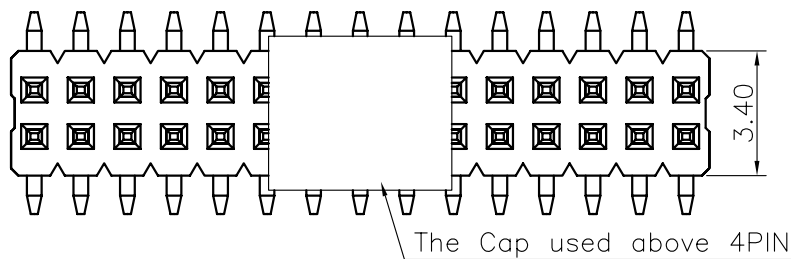
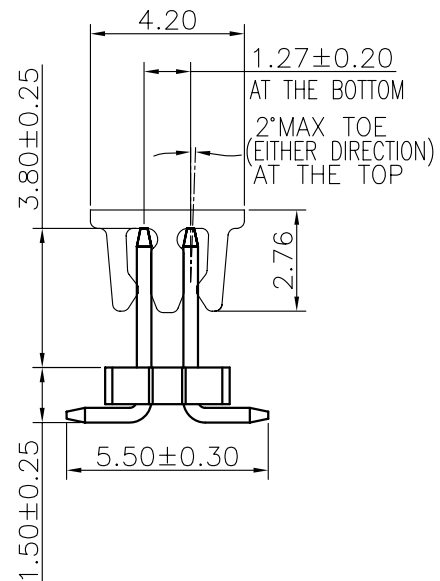
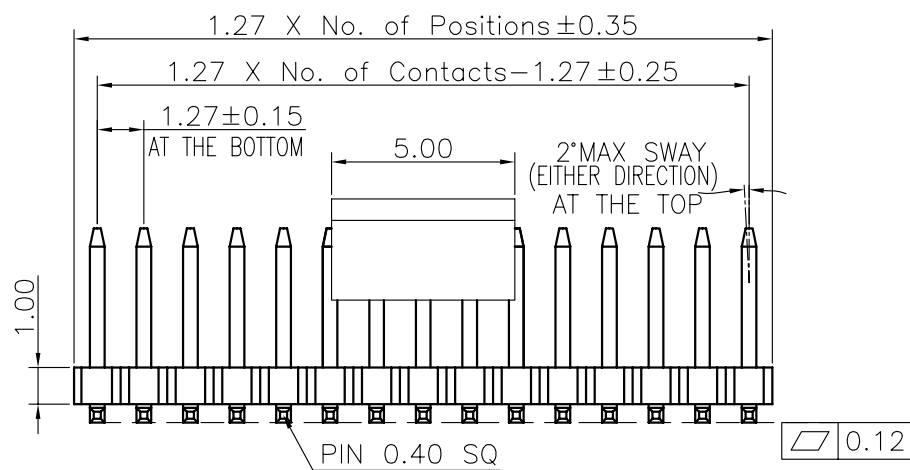


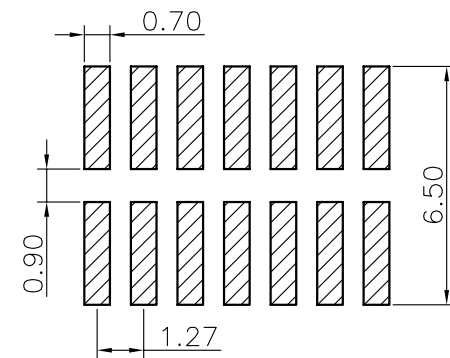
REV.	LOCAS.	DESCRIPTION	DATE	DRAWN
01	NEW	BATCH PRODUCTION INITIAL RELEASE.	2015.11.04	胡金花



Specifications
 Current Rating:1.0Amp
 Insulation Resistance:1000MΩMin.
 Dielectric Withstanding Voltage:300VAC
 Contact Resistance:20mΩMax.
 Operating Temperature:-40°C to +105°C
 Materials
 Contact Material:Brass
 Insulator Material:High Temperature Thermoplastic, UL 94V-0 LCP or the equivalent material
 All materials must meet Greenconn hazardous substances control standards.



Recommended P.C.Board Layout
 (Tolerance: ± 0.05)



Ordering Information

G PEC208 - XX XX A 085 C 1 B X

No. of Pins per Row 02~50
 Standard Plating 02=Gold Flash
 Selective Plating 01=Tin 05=Gold Flash/Tin
 Color 1=Black
 Standard Packing C=Tube
 Selective Packing A=Box E=CAP+Tube F=CAP+Tape&Reel

格菱股份有限公司 Greenconn Corporation			GENERAL TOLERANCE		DESIGNED: 胡金花	DATE: 2015.11.04	DWG. NO.	TITLE: 1.27 PIN HEADER DUAL ROWS SMT TYPE CONNECTOR
			X.*±5.0°	X.±0.30	CHECKED: 曹 熙	DATE: 2015.11.04	GPEC208-CA85CB	
REV. 01	UNIT. mm	SCALE. 5:1	PAGE. 1/1	.X.*±3.0°	.X.±0.25	CO SIGNED: 賈偉鵬	DATE: 2015.11.04	PART NO.
				.XX.*±2.0°	.XX±0.15	APPROVED: 李 輝	DATE: 2015.11.04	GPEC208-XXXXA085C1BX
				.XXX.*±1.0°	.XXX±0.10			