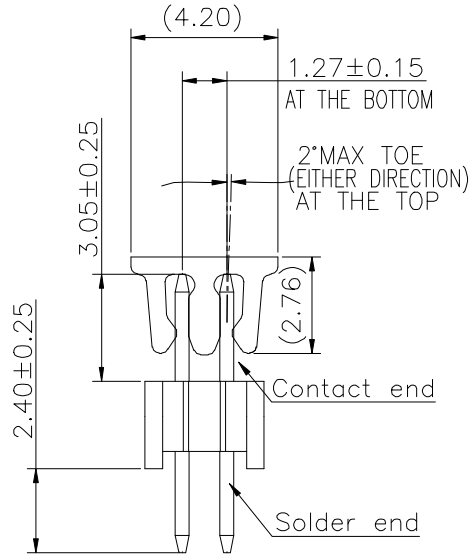
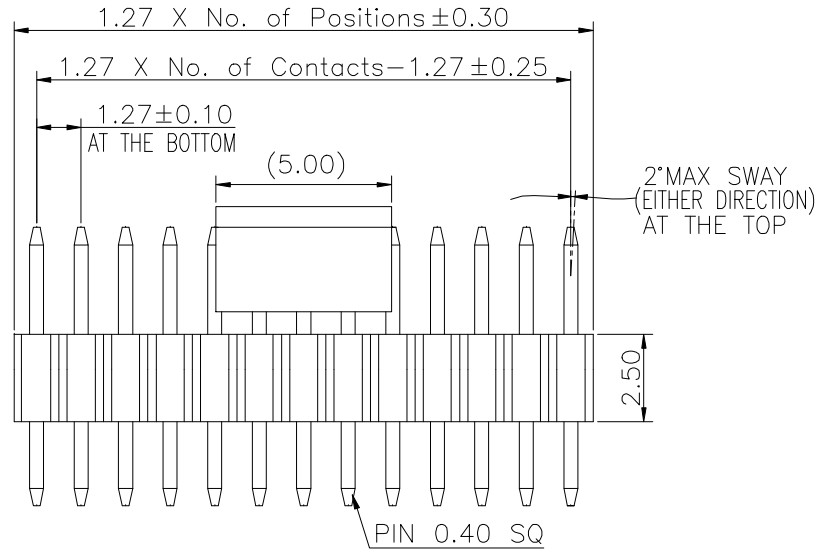
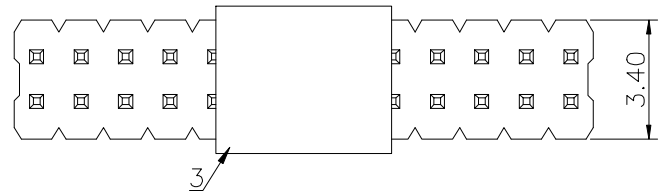
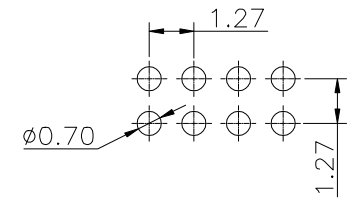


REV.	LOCAS.	DESCRIPTION	DATE	DRAWN
01	NEW	BATCH PRODUCTION INITIAL RELEASE.	2022.10.11	郭康

Specifications
 Current Rating:1.0Amp
 Insulation Resistance:1000MΩMin.
 Dielectric Withstanding Voltage:300VAC
 Contact Resistance:20mΩMax.
 Operating Temperature:-40°C to +105°C
 Materials
 Contact Material:Copper alloy
 High Temperature Thermoplastic: Suitable for Reflow Soldering Process (LCP, Nylon HTN,NYLON-10T)
 All materials must meet Greenconn hazardous substances control standards.



Recommended P.C.Board Layout
 (Tolerance:±0.05)



Ordering Information

G PEA212 - XX XX A 083 X X X X

No. of Pins per Row
02~50

Standard Plating
02=Gold Flash
Selective Plating
01=Tin
05=Gold Flash/Tin

Insulator Material
R=NYLON-HTN
C=LCP
T=NYLON-10T

Color
1=Black
5=Natural

Contact Material
A=Phosphor Bronze
B=Brass

Standard Packing
A=box
Selective Packing
C=Tube(03~50PIN)
D=Tape&Reel
E=CAP+Tube(03~50PIN)
F=CAP+Tape&Reel



3RD.ANG PROJ.

PAGE. 1/1

GENERAL TOLERANCE	
X' ±5.0'	X. ±0.30
.X' ±3.0'	.X ±0.25
.XX' ±2.0'	.XX ±0.15
.XXX' ±1.0'	.XXX ±0.10

DESIGNED: 郭康
 CHECKED: 張春進
 APPROVED: 邱國廷

DATE: 2022.10.11
 DATE: 2022.10.11
 DATE: 2022.10.11

DWG. NO.
GPEA212-CA083
 PART NO.
GPEA212-XXXX A083XXXX

TITLE.
1.27 PIN HEADER
DUAL ROWS DIP TYPE
CONNECTOR