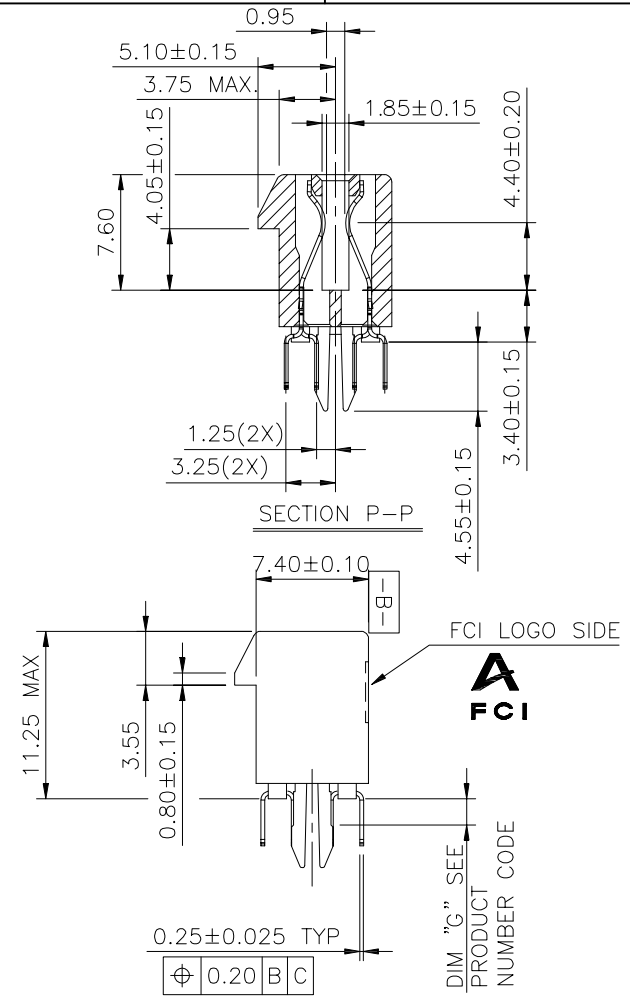
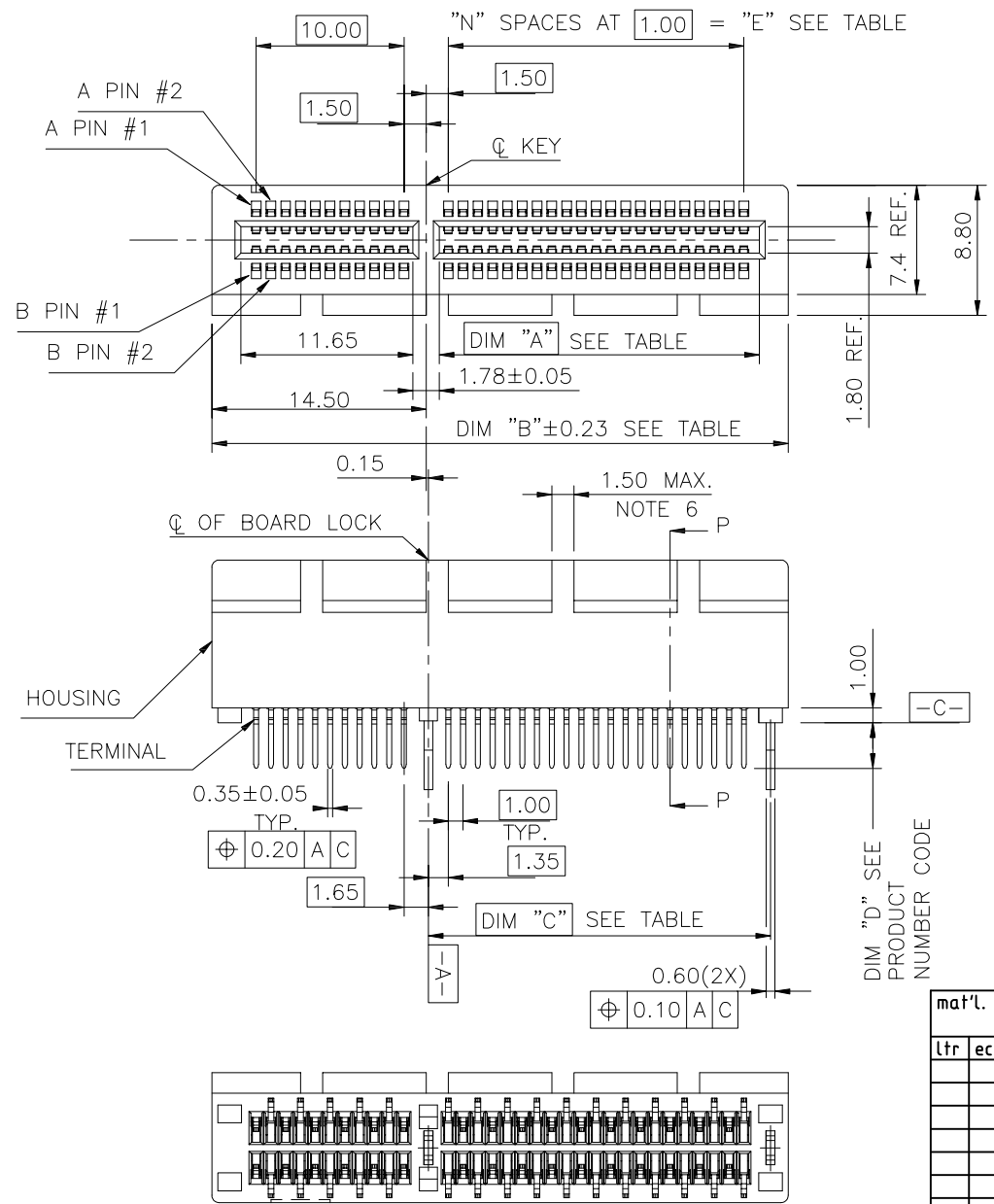


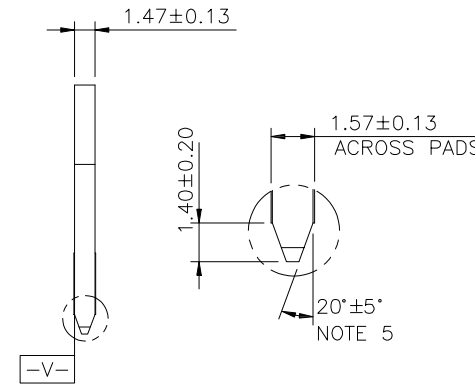
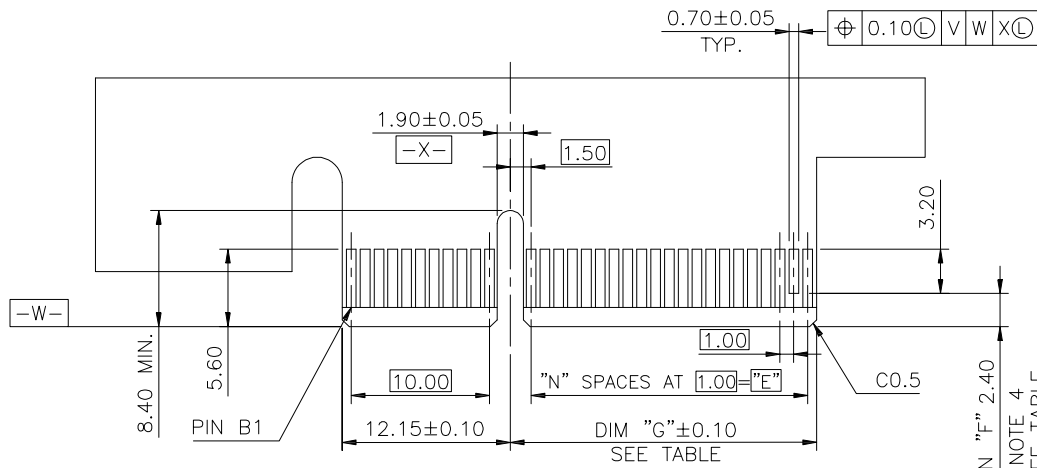
PLASTIC PEG TYPE

mat'l. code		surface		tolerance		projection		product family	
-		-		ASME_Y14.5		MM		PCI_EXPRESS	
ltr		ecn no		dr		date		title	
M	05-0124	M	W	06/07/05	tolerances unless otherwise specified		PCI_EXPRESS_CARD_EDGE_GEN3		
N	05-0153	M	W	07/12/05	angles	.02 ±0.30		TH_ASS'Y	
P	05-0208	M	W	09/15/05	LineG1	.00 ±0.20			
R	06-0206	R	C	12/01/06	±2'	.000 ±0.10		scale N/A	
S	ELX-DG-2161-1	S	T	05/27/15	dr	WINSTON_ZHU	20-10-12	Amphenol FCI	
T	ELX-DG-38297	ZH		20/09/17	engr	ZHENHUA_LIU	20-10-12		
						chr	HEAVEN_CEN	20-10-12	dwg no
						appd			sheet 1 of 6
sheet index		revision sheet		T				size	
								10018784	
								CUSTOMER Drawing	



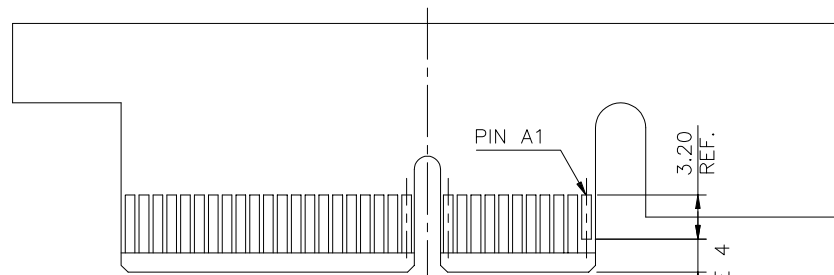
METAL BOARD LOCKS TYPE

mat'l. code		surface		tolerance	projection	product family	
-		-		ASME_Y14.5		PCI_EXPRESS	
ltr	ecn no	dr	date	tolerances unless otherwise specified		title	
				angles		PCI_EXPRESS_CARD_EDGE_GEN3	
				±2'		TH_ASS'Y	
		dr	WINSTON_ZHU	20-10-12		sheet 2 of 6 size	
		enfr	ZHNEHUA_LIU	20-10-12		10018784	
		chr				CUSTOMER Drawing	
		appd	HEAVEN_CEN	20-10-12			
sheet index	revision sheet	T					



SCALE 2:1

← I/O PANEL DIRECTION
PRIMARY (COMPONENT) SIDE



I/O PANEL DIRECTION →
SECONDARY (SOLDER) SIDE

ADD-IN CARD EDGE-FINGER DIMENSIONS

#	POS	REF.	N	DIM "G"	"F"
36	6		8.15	B17	
64	20		22.15	B31	
98	37		39.15	B48	
164	70		72.15	B81	

PIN "F" SEE TABLE 2.40±0.10 NOTE 4

mat'l. code		-		surface		- ✓		tolerance		ASME_Y14.5		projection		product family		PCI_EXPRESS	
ltr		ecn no		dr		date		tolerances unless otherwise specified		MM		title		PCI_EXPRESS_CARD_EDGE_GEN3		TH_ASS'Y	
								angles		.0±0.30		scale N/A		dwg no		sheet 4 of 6 size	
								±2'		.00±0.20		Amphenol FCI		10018784		A4	
								dr		WINSTON_ZHU 20-10-12				type		CUSTOMER Drawing	
								engr		ZHENHUA_LIU 20-10-12							
								chr									
								appd		HEAVEN_CEN 20-10-12							
sheet index		revision sheet		T													

NOTES:

1.MATERIAL:

HOUSING: NYLON, GLASS FILLED UL94V-0 RATE, SUITABLE FOR WAVE SOLDERING.

TERMINAL: COPPER ALLOY

PLATING: 50u" NICKEL UNDERPLATE ALL OVER
CONTACT AREA PLATING - SEE PRODUCT NUMBER CODE
SOLDER TAIL: TIN/LEAD (90/10) - SEE PRODUCT NUMBER CODE 100u" MIN. OVER 50u" NICKEL

METAL BOARD LOCKS: COPPER ALLOY
FINISH: 100u" TIN/LEAD (90/10) OVER 50u" NICKEL UNDERPLATE SEE PRODUCT NUMBER CODE

2.PRODUCT SPECIFICATION: GS-12-233

③THE HORIZONTAL AXIS FOR THE HOLE PATTERN IS ESTABLISHED BY A LINE THROUGH THE CENTER OF THE TWO Ø2.35 HOLES. THE VERTICAL AXIS IS 90° TO THE HORIZONTAL AXIS, THROUGH THE CENTER OF DATUM Z.

④NO TIE BAR PERMITTED FROM CARD EDGE TO LEADING EDGE OF PAD FOR PINS A1 AND PIN NUMBERS "F".

⑤CHAMFER EDGES MUST BE FREE OF CUTTING BURRS.

⑥FREQUENCY & LOCATION AT SUPPLIER DISCRETION. RIDGE MAY BE CONTINUOUS WITH NO BREAKS.

7.RoHS COMPATIBLE PRODUCT SPECIFICATIONS

a - PLATING:

- "LF" MEANS THE PRODUCT IS LEAD-FREE, 2um MINIMUM MATTE TIN OVER 1.27um MINIMUM NICKEL UNDERPLATE.

b - MANUFACTURING PROCESS COMPATIBILITY

- THE HOUSING WILL WITHSTAND EXPOSURE TO 260°C±5°C SOLDER BATH TEMPERATURE FOR 5 SECONDS IN A WAVE SOLDER APPLICATION WITH A 1.6mm MIN THICK CIRCUIT BOARD.
- THE HOUSING WILL WITHSTAND EXPOSURE TO 240°C±5°C SOLDER BATH TEMPERATURE FOR 5 SECONDS IN A WAVE SOLDER APPLICATION WITH A 1.6mm MIN THICK CIRCUIT BOARD.(For 10018784-X 0 X X X X(X X) options)

CONNECTOR	# POS	REF.	N	DIM "A"	DIM "B"	DIM "C"	"E"
1 PORT	36		6	7.65	25.00	9.15	6.00
4 PORT	64		20	21.65	39.00	23.15	20.00
8 PORT	98		37	38.65	56.00	40.15	37.00
16 PORT	164		70	71.65	89.00	73.15	70.00

PRODUCT NUMBER CODE
10018784-x x x x x x □ □

HOUSING COLOR OPTIONS

- 0-WHITE
- 1-BLACK

PEGS OPTIONS

- 0-PLASTIC PEGS
- 1-METAL BOARD LOCKS

TERMINAL PLATING OPTIONS

- 0-50u" Ni UNDERPLATE
30u" Au CONTACT AREA
100u" TIN TAIL AREA ----- COMPATIBLE RoHS
- 1-50u" Ni UNDERPLATE
15u" Au CONTACT AREA
100u" TIN TAIL AREA ----- COMPATIBLE RoHS
- 2-50u" Ni UNDERPLATE
GOLD FLASH CONTACT AREA
100u" TIN TAIL AREA ----- COMPATIBLE RoHS
- 3-50u" Ni UNDERPLATE
30u" Au CONTACT AREA
100u" TIN/LEAD TAIL AREA ----- INCOMPLIANT RoHS
- 4-50u" Ni UNDERPLATE
15u" Au CONTACT AREA
100u" TIN/LEAD TAIL AREA ----- INCOMPLIANT RoHS
- 5-50u" Ni UNDERPLATE
GOLD FLASH CONTACT AREA
100u" TIN/LEAD TAIL AREA ----- INCOMPLIANT RoHS

LEAD FREE OPTION

LEAVE BLANK FOR TERMINAL PLATING 3,4,5
"LF" FOR TERMINAL PLATING OPTION 0,1,2

POS OPTIONS

- 0-36
- 1-64
- 2-98
- 3-164

PACKAGING OPTIONS

- T-TRAY PACKAGING
- M-TRAY PACKAGING & MYLAR TAPE FOR PICK-N-PLACE. SEE FIGURE 1
- R-TAPE & REEL PACKAGING (FOR 36, 64, 98P)
- A-TAPE & REEL PACKAGING WITH MYLAR (FOR 36, 64, 98P)

TAIL LENGTH OPTIONS

	DIM "D"	PCB THICKNESS	BOARD LOCKS DIM"G"
0	2.30 ^{+0.25} / _{-0.13}	1.56±0.10	1.70±0.15
1	3.10 ^{+0.25} / _{-0.13}	2.36±0.10	2.50±0.15

mat'l. code		-		surface		- ✓ ASME_Y14.5		tolerance		projection		product family		PCI_EXPRESS	
lfr	ecn no	dr	date	tolerances unless otherwise specified				MM		title		PCI_EXPRESS_CARD_EDGE_GEN3			
				angles	lineal	.02±0.30		MM		TH_ASS'Y		sheet 5 of 6			
				±2'	lineal	.00±0.20		scale N/A		dwg no		10018784			
				dr	WINSTON_ZHU	20-10-12		Amphenol FCI		sheet 5 of 6		size A4			
				engr	ZHENHUA_LIU	20-10-12				type		CUSTOMER Drawing			
				chr											
				appd	HEAVEN_CEN	20-10-12									
sheet index	revision	T													

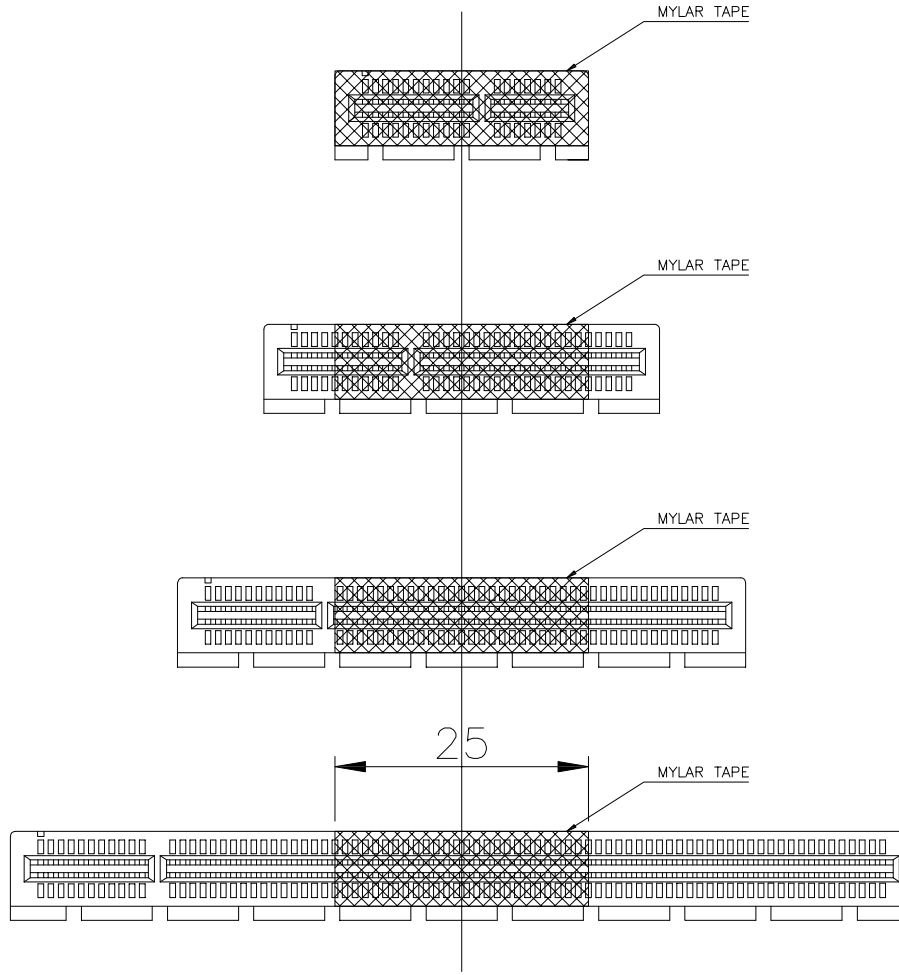


FIGURE 1

mat'l. code		-		surface	-	tolerance	ASME_Y14.5	projection	ASME	product family	PCI_EXPRESS
ltr	ecn no	dr	date	tolerances unless otherwise specified				MM	scale N/A	title	
				angles	±2'	.02±0.30	.00±0.20			PCI_EXPRESS_CARD_EDGE_GEN3 TH_ASS'Y	
						.000±0.10				dwg no	
				dr	WINSTON_ZHU	20-10-12				sheet 6 of 6 size	
				engr	ZHENHUA_LIU	20-10-12		Amphenol FCi	10018784		
				chr					A4		
				appd	HEAVEN_CEN	20-10-12		type		CUSTOMER Drawing	
sheet index	revision sheet	T									