

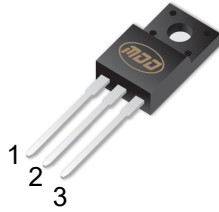


MDD2N65F/MDD2N65P/MDD2N65D

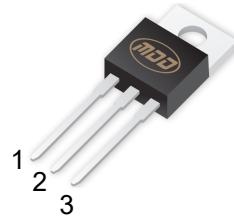
650V N-Channel Enhancement Mode MOSFET

V_{DS}	650 V
$I_D(T_C=25^\circ\text{C})$	2A
$R_{DS(on),max}$	5.2Ω@ $V_{GS}=10V$
$Q_{g,typ}$	10.2nC

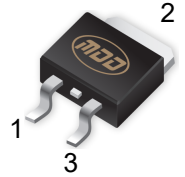
TO-220F-3L



TO-220-3L



TO-252



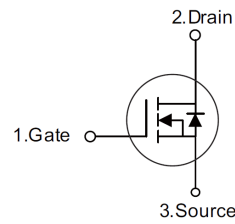
General Features

- Ultra low gate charge
- Low reverse transfer Capacitance
- Fast switching capability
- Avalanche energy tested
- Improved dv/dt capability, high ruggedness

Application

- High efficiency switch mode power supplies
- Electronic lamp ballasts based on half bridge
- LED power supplies

Equivalent Circuit



Absolute Maximum Ratings ($T_A=25^\circ\text{C}$ unless otherwise noted)

Parameter	Symbol	Value	Unit
Drain-Source Voltage	V_{DS}	650	V
Gate-Source Voltage	V_{GS}	±30	V
Continuous Drain Current	I_D	2	A
Pulsed Drain Current(Note 1)	I_{DM}	8	A
Avalanche Energy Single Pulsed (Note 2)	E_{AS}	80	mJ
Continuous diode forward current	I_S	2	A
Diode pulse current	$I_{S,pulse}$	8	A
Peak Diode Recovery dv/dt (Note 3)	dv/dt	5	V/ns
Power Dissipation TO-220F	P_D	27	W
Power Dissipation TO-220/TO-252		35	W
Junction Temperature	T_J	150	°C
Storage Temperature	T_{stg}	-55 ~ 150	°C

Thermal Characteristics

Parameter	Symbol	Value		Unit
		TO-220F	TO-220/TO-252	
Thermal resistance, Junction-to-case	$R_{\theta JC}$	4.63	3.57	°C/W
Thermal resistance, Junction-to-ambient	$R_{\theta JA}$	100	62	°C/W

- Notes:**
1. Pulse width limited by maximum junction temperature.
 2. L=10mH, $I_{AS} = 4A$, Starting $T_J = 25^\circ\text{C}$.
 3. $I_{SD} = 2A$, $di/dt \leq 100A/\mu s$, $V_{DD} \leq BV_{DS}$, Starting $T_J = 25^\circ\text{C}$.



MDD2N65F/MDD2N65P/MDD2N65D

650V N-Channel Enhancement Mode MOSFET

Ta = 25°C unless otherwise specified

Symbol	Parameter	Condition	Min	Typ	Max	Unit	
$V_{(BR)DSS}$	Drain-Source Breakdown Voltage	$V_{GS}=0V, I_D=250\mu A$	650	--	--	V	
I_{GSS}	Gate-Source Leakage Current	Forward	$V_{GS}=30V, V_{DS}=0V$	--	--	100	nA
		Reverse	$V_{GS}=-30V, V_{DS}=0V$	--	--	-100	nA
I_{DSS}	Drain-Source Leakage Current	$V_{DS}=650V, V_{GS}=0V$	--	--	1	μA	
$V_{GS(TH)}$	Gate Threshold Voltage	$V_{DS}=V_{GS}, I_D=250\mu A$	2.0	--	4.0	V	
$R_{DS(ON)}$	Drain-Source On-State Resistance	$V_{GS}=10V, I_D=1A$	--	4.2	5.2	Ω	

Dynamic Electrical Characteristics

Symbol	Parameter	Condition	Min	Typ	Max	Unit
C_{iss}	Input Capacitance	$V_{DS}=25V$ $V_{GS}=0V$ $f=1MHz$	--	338	--	pF
C_{oss}	Output Capacitance		--	36	--	pF
C_{rss}	Reverse Transfer Capacitance		--	3.4	--	pF
Q_g	Total Gate Charge	$V_{DS}=520V,$ $V_{GS}=10V,$ $I_D=2A$ (Note1,2)	--	10.2	--	nC
Q_{gs}	Gate Source Charge		--	2.6	--	nC
Q_{gd}	Gate Drain Charge		--	4.7	--	nC

Switching Characteristics

Symbol	Parameter	Condition	Min	Typ	Max	Unit
$t_{d(on)}$	Turn on Delay Time	$V_{DS}=325V,$ $I_D=2A,$ $R_G=10\Omega$ (Note1,2)	--	--	17.2	ns
t_r	Turn on Rise Time		--	--	35.6	ns
$t_{d(off)}$	Turn Off Delay Time		--	--	33.9	ns
t_f	Turn Off Fall Time		--	--	29	ns

Source Drain Diode Characteristics

Symbol	Parameter	Condition	Min	Typ	Max	Unit
I_{SD}	Source drain current(Body Diode)		--	--	2	A
I_{SM}	Pulsed Current		--	--	8	A
V_{SD}	Drain-Source Diode Forward Voltage	$I_S=2A, V_{GS}=0V$	--	--	1.5	V
t_{rr}	Body Diode Reverse Recovery Time	$V_R=400$ $I_F=2A,$ $-dI_F/dt=100A/\mu s$	--	221.8	--	ns
Q_{rr}	Body Diode Reverse Recovery Charge		--	0.75	--	μC

Notes:

- 1.Pulse test ; Pulse width \leq 300 μs , duty cycles \leq 2%.
- 2.Essentially independent of operating temperature.



MDD2N65F/MDD2N65P/MDD2N65D

650V N-Channel Enhancement Mode MOSFET

Electrical Characteristics Diagrams

Figure 1. Typical Output Characteristics

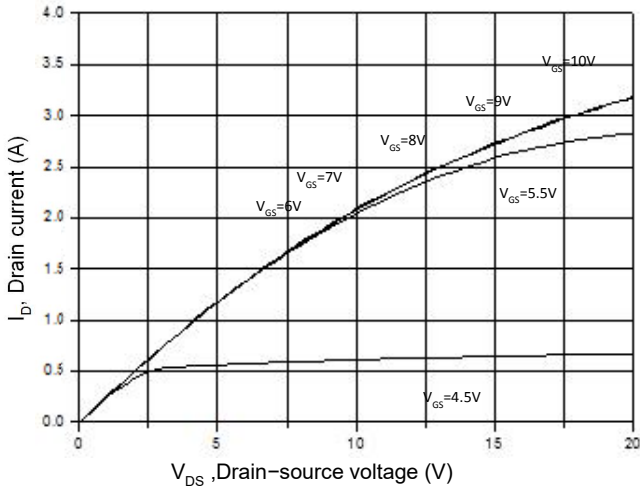


Figure 2. Transfer Characteristics

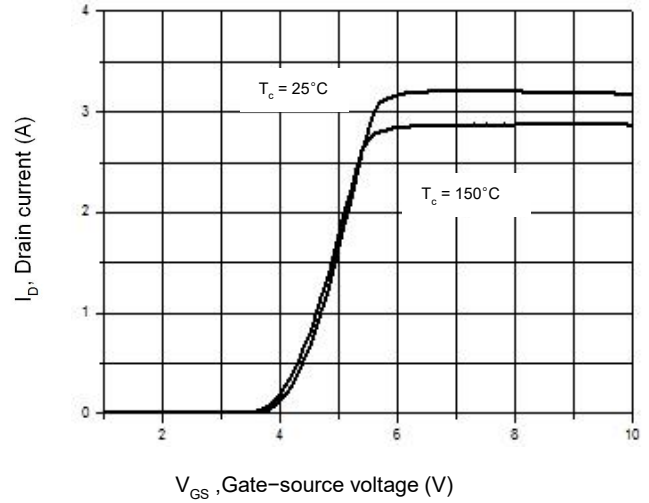


Figure 3. On-Resistance Variation vs. Drain Current

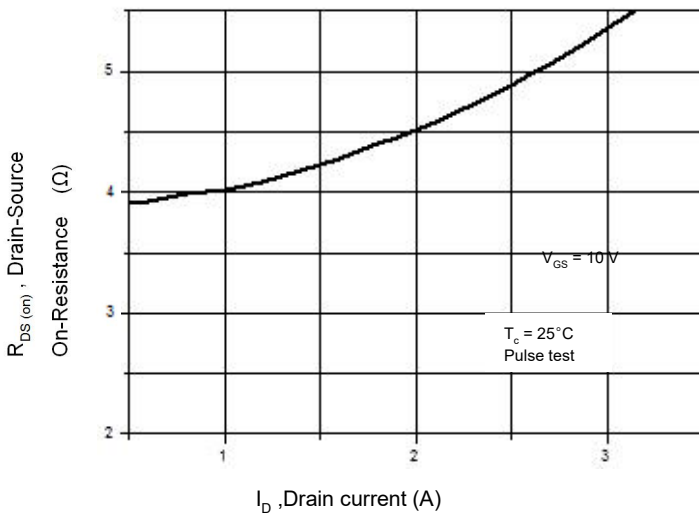


Figure 4. Threshold Voltage vs. Temperature

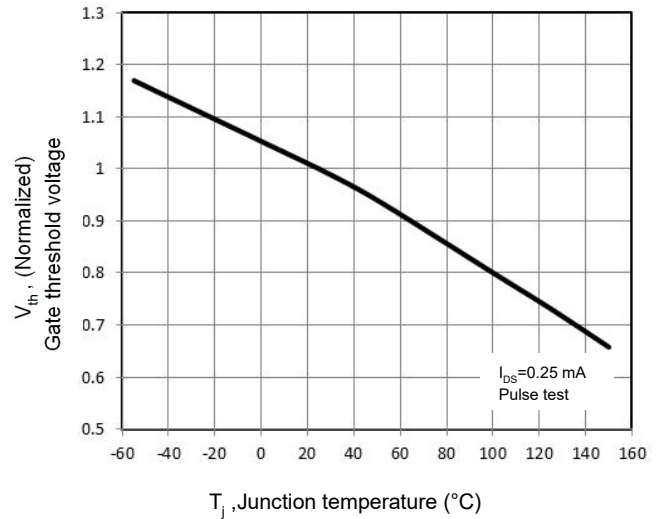


Figure 5. Breakdown Voltage vs. Temperature

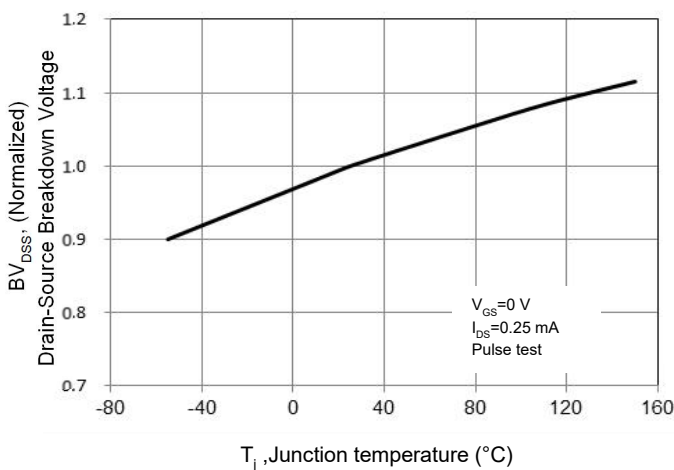
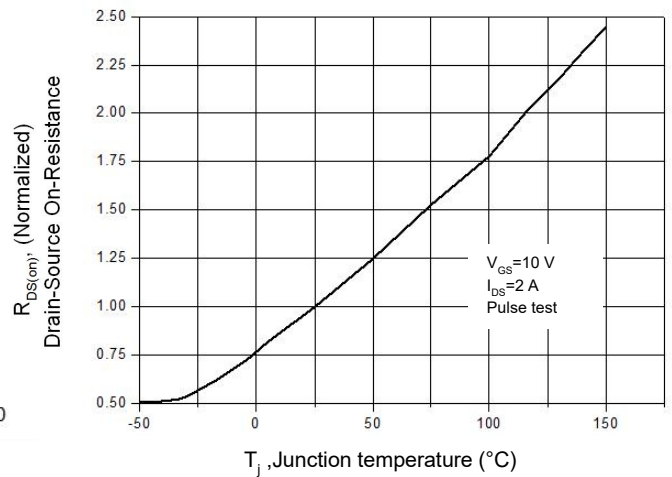


Figure 6. On-Resistance vs. Temperature





MDD2N65F/MDD2N65P/MDD2N65D

650V N-Channel Enhancement Mode MOSFET

Figure 7. Capacitance Characteristics

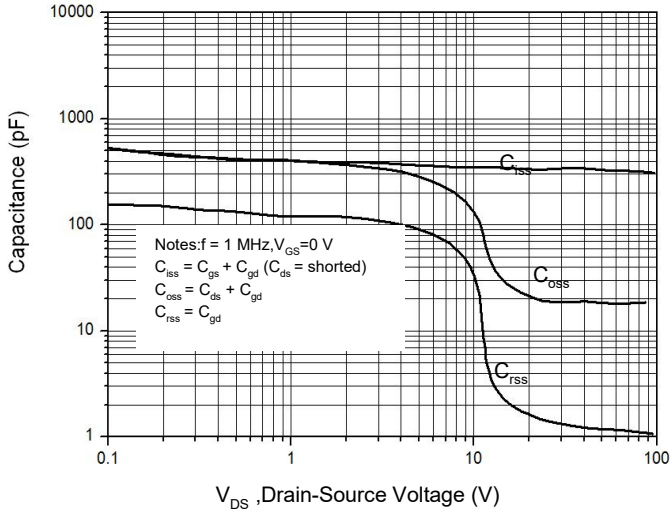


Figure 8. Gate Charge Characterist

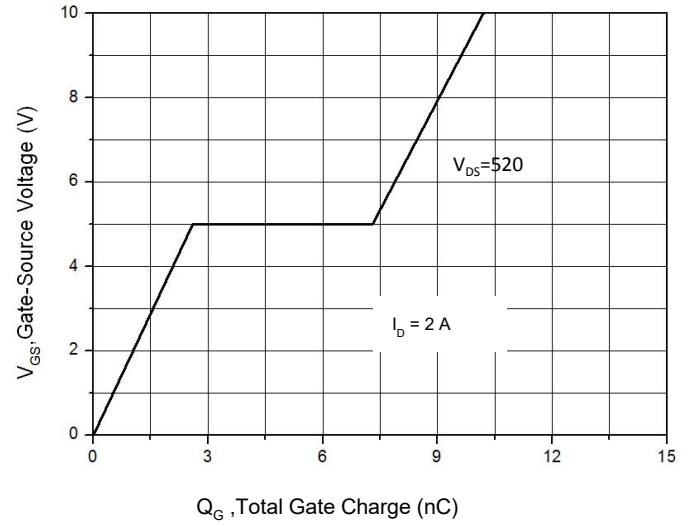


Figure 9. Maximum Safe Operating Area
TO-220F

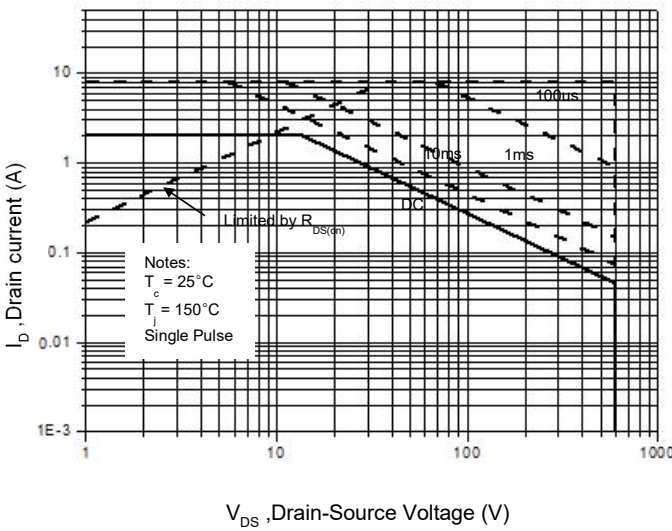


Figure 10. Maximum Safe Operating Area
TO-220/ TO-252

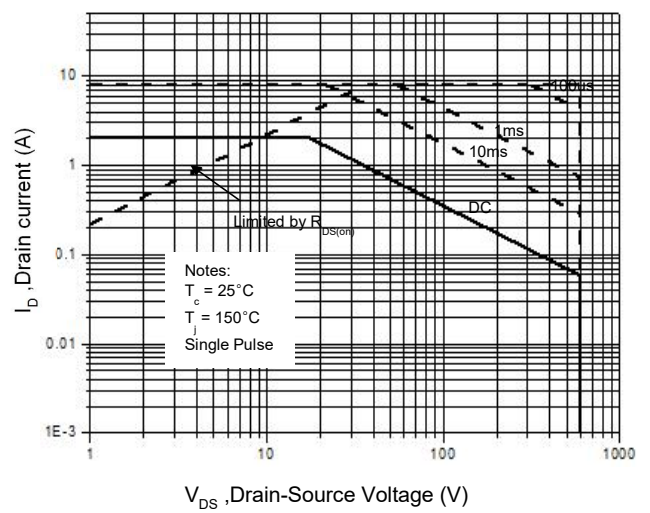


Figure 11. Power Dissipation vs. Temperature
TO-220F

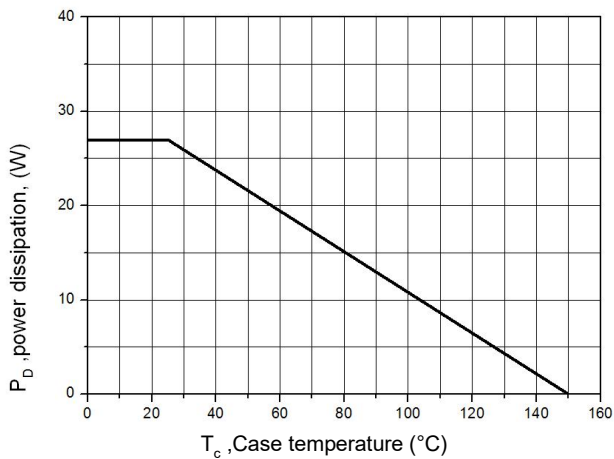
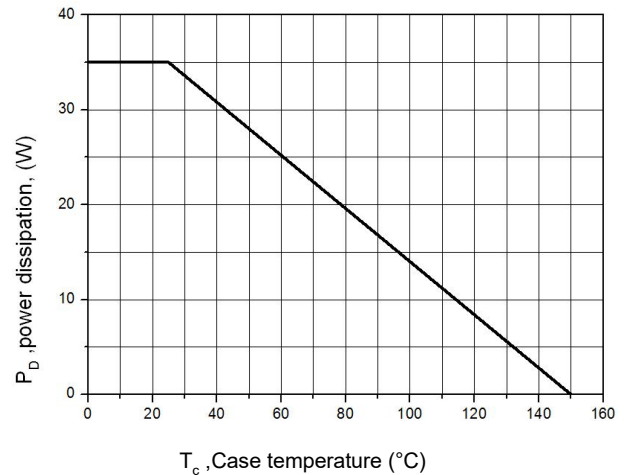


Figure 12. Power Dissipation vs. Temperature
TO-220/ TO-252





MDD2N65F/MDD2N65P/MDD2N65D

650V N-Channel Enhancement Mode MOSFET

Figure 13. Continuous Drain Current vs. Temperature

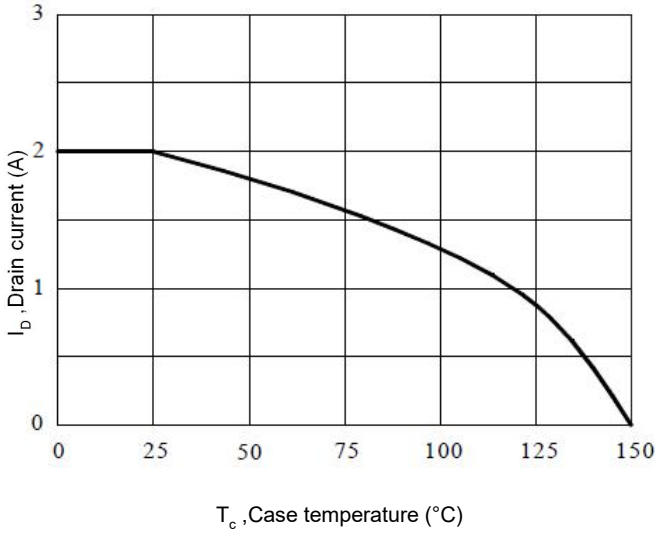


Figure 14. Body Diode Transfer Characteristics

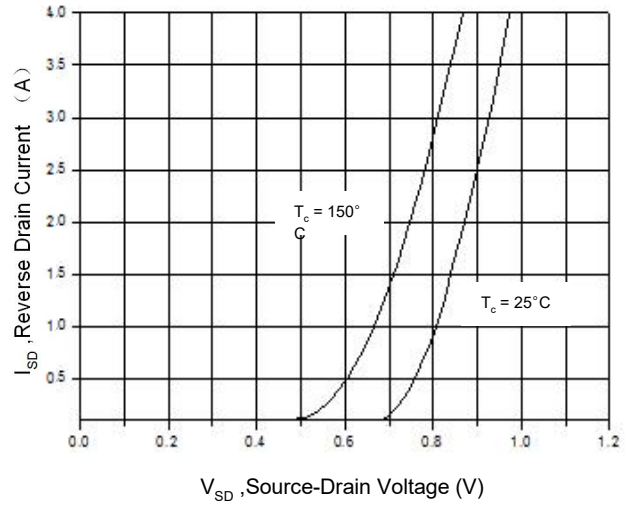


Figure 15 Transient Thermal Impedance, Junction to Case, TO-220F

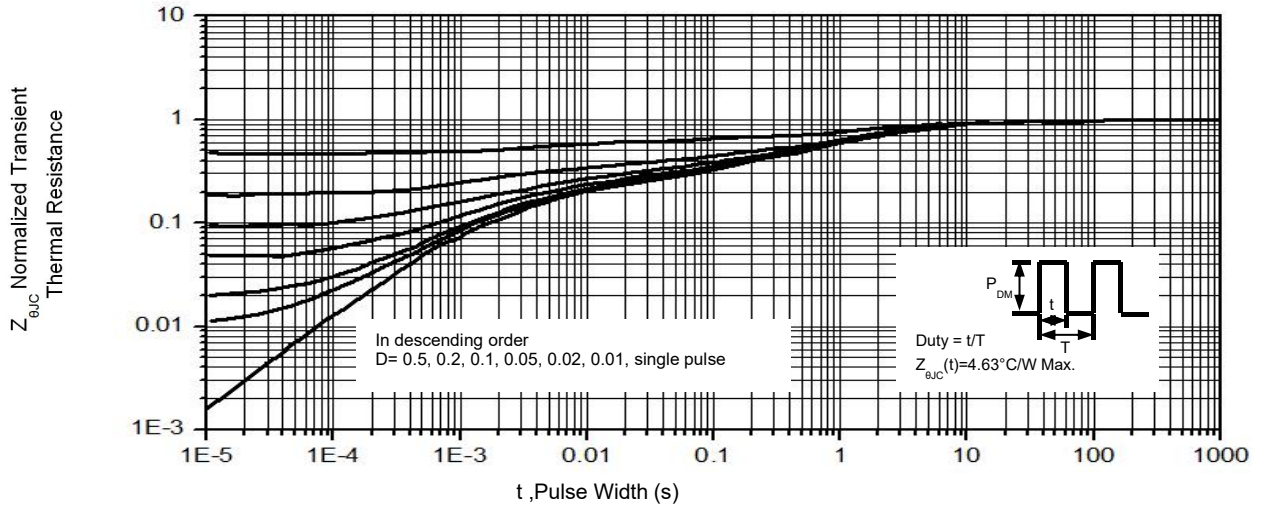
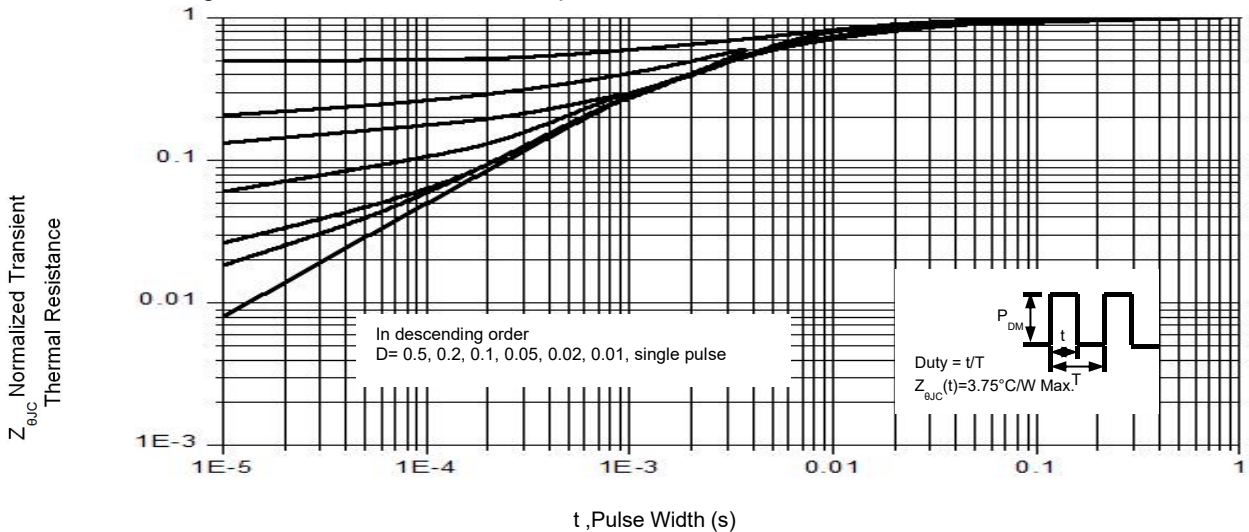


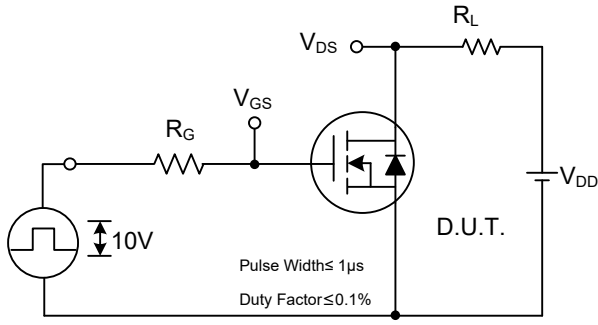
Figure 16. Transient Thermal Impedance, Junction to Case, TO-220/ TO-252



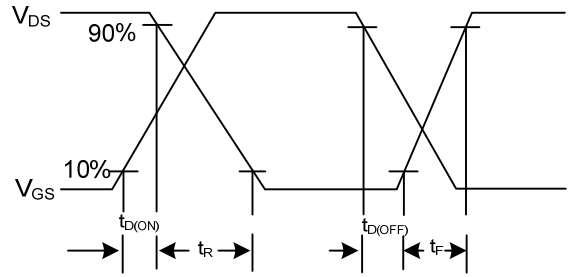


MDD2N65F/MDD2N65P/MDD2N65D

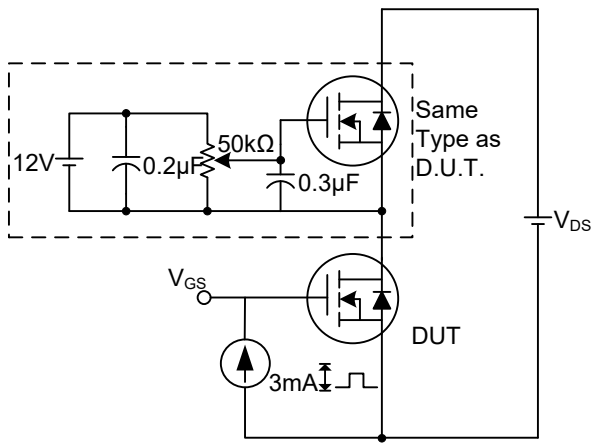
650V N-Channel Enhancement Mode MOSFET



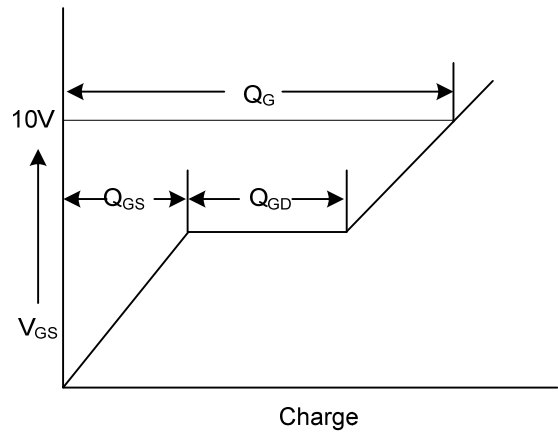
Switching Test Circuit



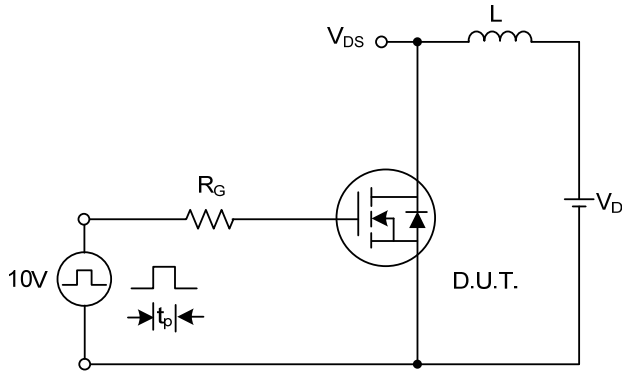
Switching Waveforms



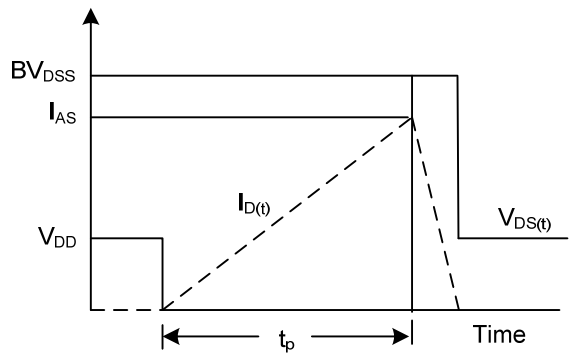
Gate Charge Test Circuit



Gate Charge Waveform



Unclamped Inductive Switching Test Circuit



Unclamped Inductive Switching Waveforms

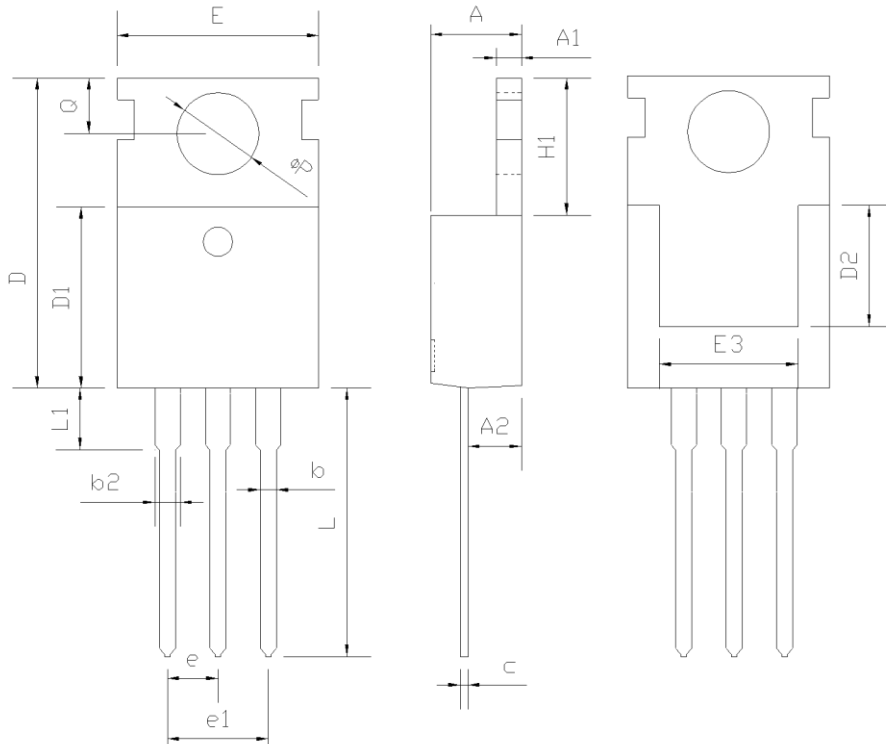
The curve above is for reference only.



MDD2N65F/MDD2N65P/MDD2N65D

650V N-Channel Enhancement Mode MOSFET

Mechanical Dimensions for TO-220



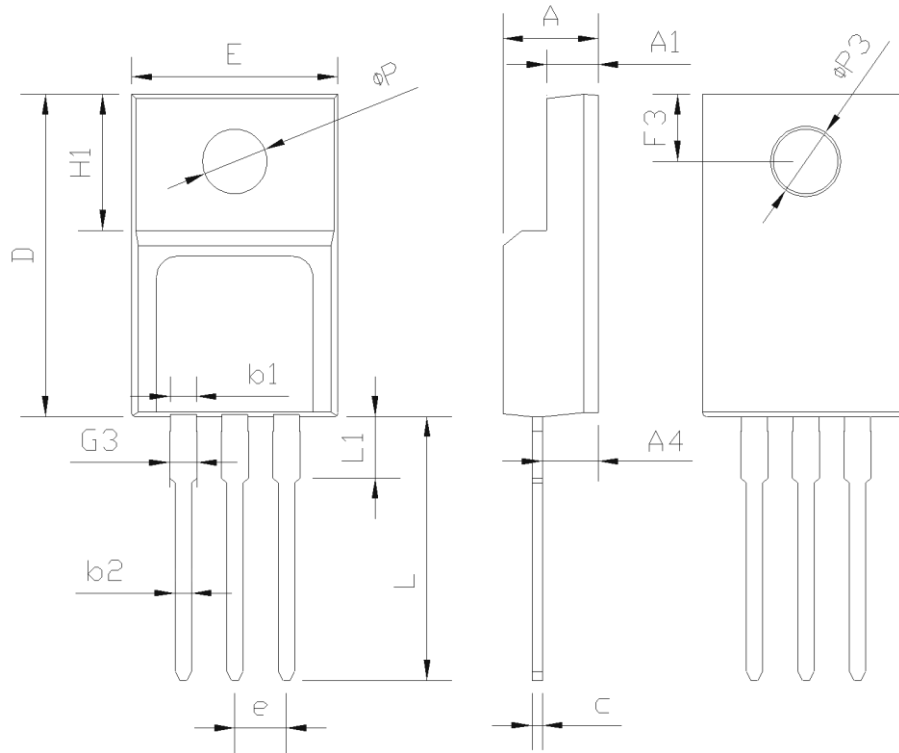
SYMBOL	mm		
	MIN	NOM	MAX
A	4.37	4.57	4.70
A1	1.25	1.30	1.40
A2	2.20	2.40	2.60
b	0.70	0.80	0.95
b2	1.17	1.27	1.47
c	0.45	0.50	0.60
D	15.10	15.60	16.10
D1	8.80	9.10	9.40
D2	5.50	-	-
E	9.70	10.00	10.30
E3	7.00	-	-
e	2.54 BSC		
e1	5.08 BSC		
H1	6.25	6.50	6.85
L	12.75	13.50	13.80
L1	-	3.10	3.40
ΦP	3.40	3.60	3.80
Q	2.60	2.80	3.00



MDD2N65F/MDD2N65P/MDD2N65D

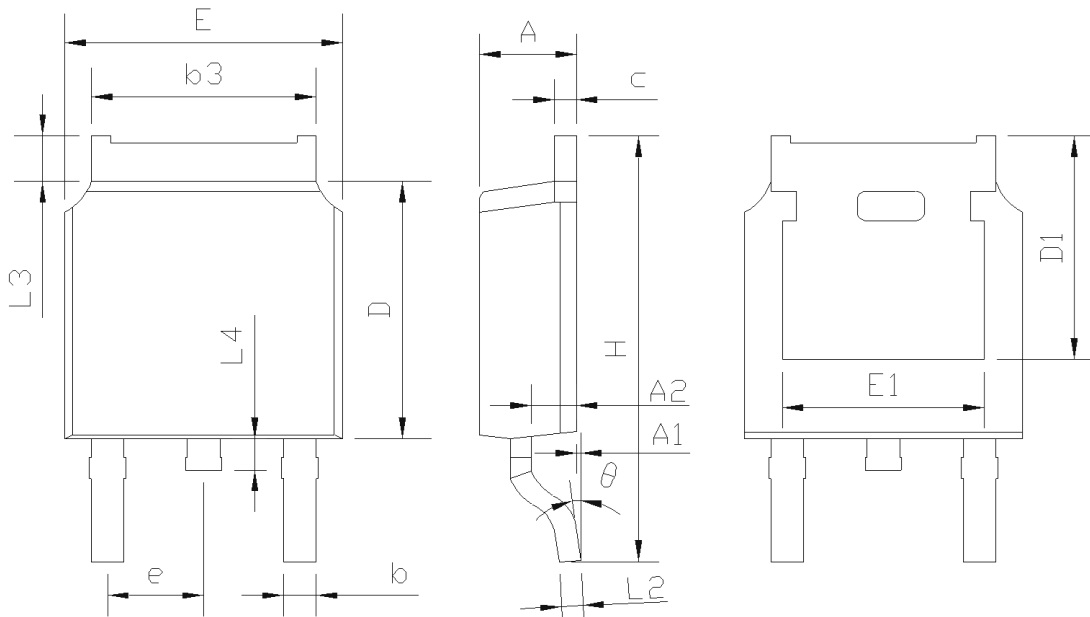
650V N-Channel Enhancement Mode MOSFET

Mechanical Dimensions for TO-220F



SYMBOL	mm		
	MIN	NOM	MAX
E	9.96	10.16	10.36
A	4.50	4.70	4.90
A1	2.34	2.54	2.74
A4	2.56	2.76	2.96
c	0.40	0.50	0.65
D	15.57	15.87	16.17
H1	6.70REF		
e	2.54BSC		
L	12.68	12.98	13.28
L1	2.88	3.03	3.18
ΦP	3.03	3.18	3.38
ΦP3	3.15	3.45	3.65
F3	3.15	3.30	3.45
G3	1.25	1.35	1.55
b1	1.18	1.28	1.43
b2	0.70	0.80	0.95

Mechanical Dimensions for TO-252



SYMBOL	mm		
	MIN	NOM	MAX
A	2.20	2.30	2.38
A1	0.00	-	0.20
A2	0.97	1.07	1.17
b	0.68	0.78	0.90
b3	5.20	5.33	5.46
c	0.43	0.53	0.61
D	5.98	6.10	6.22
D1	5.30REF		
E	6.40	6.60	6.73
E1	4.63	-	-
e	2.286BSC		
H	9.40	10.10	10.50
L2	0.51BSC		
L3	0.88	-	1.28
L4	0.50	-	1.00
θ	0°	-	8°

Package Marking and Ordering Information

Part Number	Marking	Package	Units/Tube	Units/Reel
MDD2N65F	2N65F	TO-220F	50	
MDD2N65P	2N65P	TO-220-3L	50	
MDD2N65D	2N65D	TO-252		2500