



P/N: H2456G

- * Designed to meet IEEE 802.3ab requirement
- * Lead-Free & Designed to meet RoHS requirement
- * Designed to meet IR 255°C peak Requirement.
- * Single Port for NIC Application
- * Operating temperature range: -40°C to +85°C
- * Storage temperature range: -40°C to +85°C

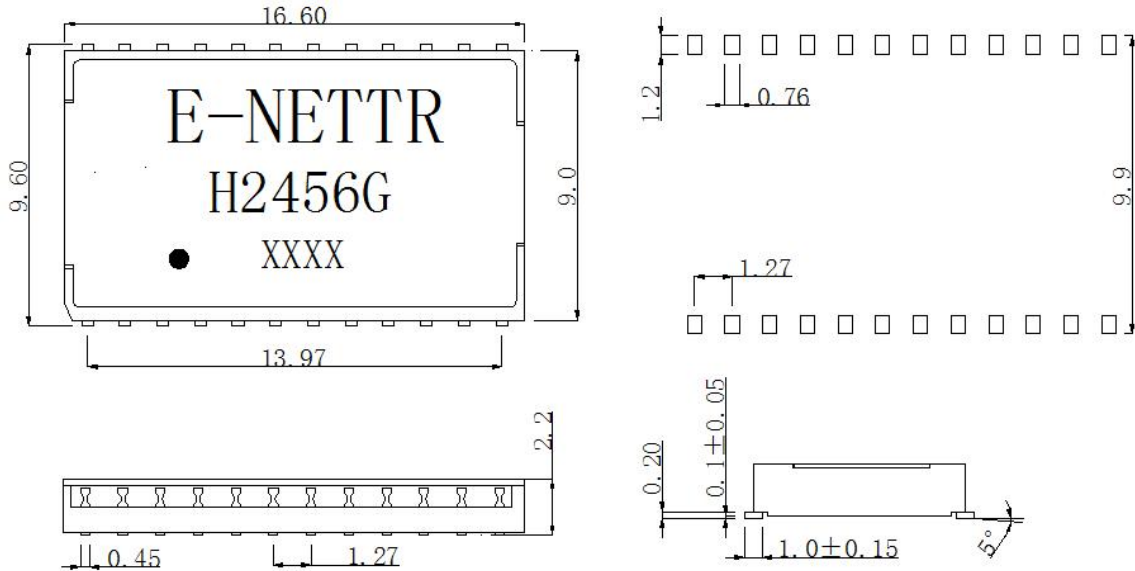
Electrical Specifications@25° C

Part Number	Turn Ratio (±3%)	OCL(uH Min) @ 100KHz/0.1V with 0mA DC Bias	L.L (uH Max)	C _{w/w} (pF Max)	DCR (Ω Max)	Hi-Pot (Vrms MIN)
H2456G	1CT:1CT	350	0.5	28	1.4	AC1500V/1mA/1S

Continue

Part Number	Insertion Loss 0.3~100MHZ (dB Max)	Return Loss (dB Min)			Cross Talk (dB Min)			DCMR (dB Min)		
		0.3-30MH	60MHz	100MHz	30MHz	60MHz	100MHz	30MHz	50MHz	100MHz
H2456G	-1.0	-16	-12	-10	-40	-35	-30	-40	-35	-30

Mechanical



Unless otherwise specified tolerances: xx.xo ± 0.25mm
o.xx ± 0.05mm

Schematic

