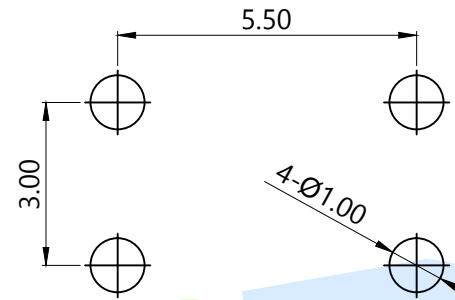
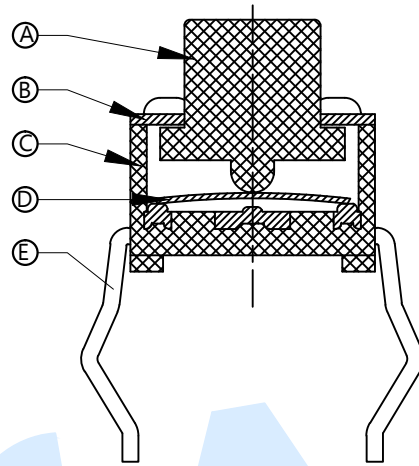
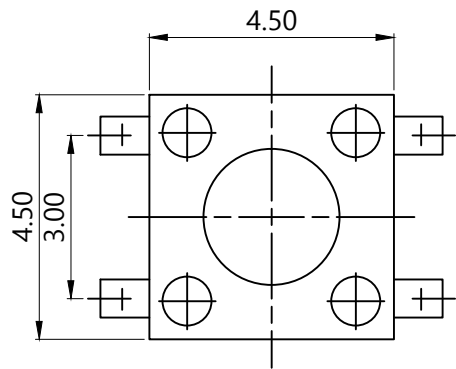


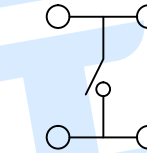
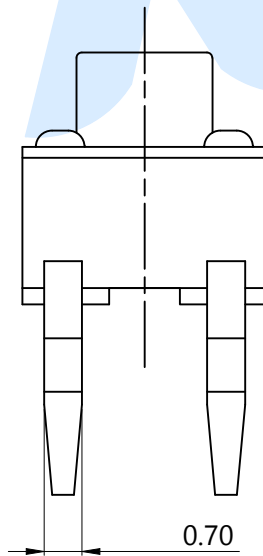
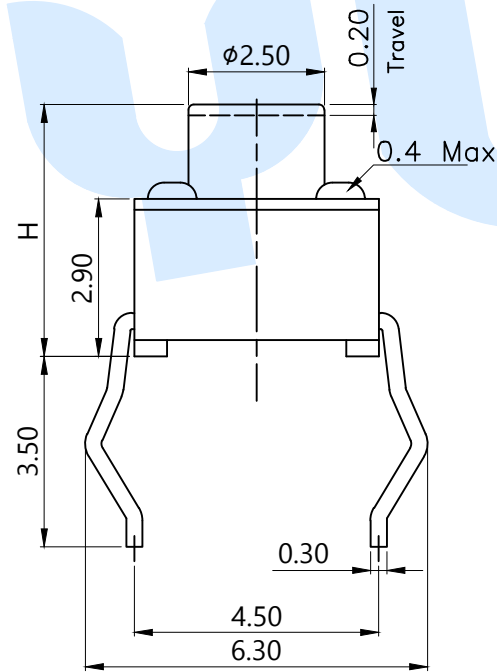
RoHS



OPERATING FORCE	
CODE	VIGOR
B1	120±30gf
B2	180±30gf
B3	250±30gf

SHRAPNEL	
CODE	MATERIAL/QTY
D2	SUS/1PCS
D4	SUS/2PCS

PCB Layout(Pattern Side)



Circuit diagram

TOTAL HEIGHT			
CODE	H	CODE	H
A1	3.5	A11	8.0
A2	3.8	A12	8.5
A3	4.3	A13	9.0
A4	4.5	A14	9.5
A5	5.0	A15	10
A6	5.5	A155	10.5
A7	6.0	A16	11
A8	6.5	A17	12
A9	7.0	A18	13
A10	7.5		

⑤	Terminal		4	Brass	Silvering
④	Reed		1	SUS	Silver covered
③	Base		1	PPA	Black
②	Cover		1	SPCC	Plating Cu Sn
①	Keystoke		1	PPA	Black
NO.	Name	Number	Qty	Materil	Remarks

YUANDI® Yuandi Electronics Co, Ltd

design	date	name	TACT SWITCHS
Review	date	model	TS-1091-A□B□-D□
Approved	date		

Drawing number: Proportion 1:1 unit mm gage number A4

modify Review Approved

Tolerance not specified

Proportion 1:1

unit mm

gage number

A4