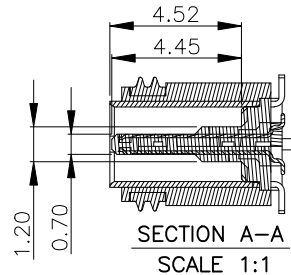
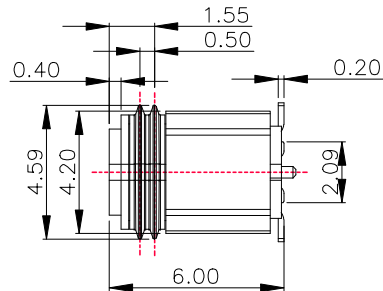
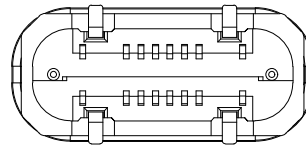
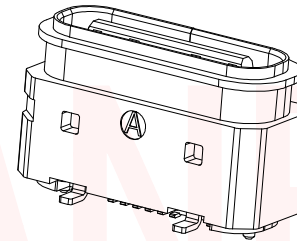
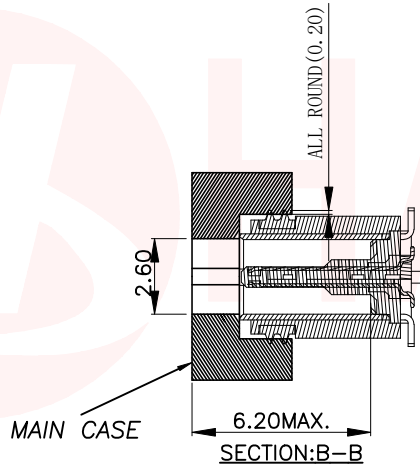
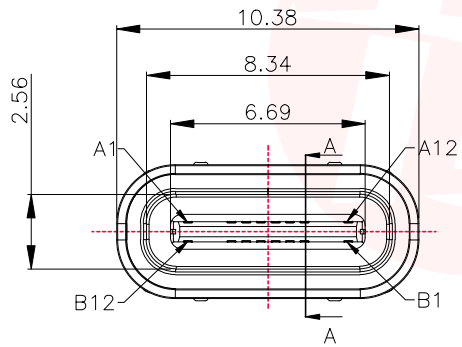
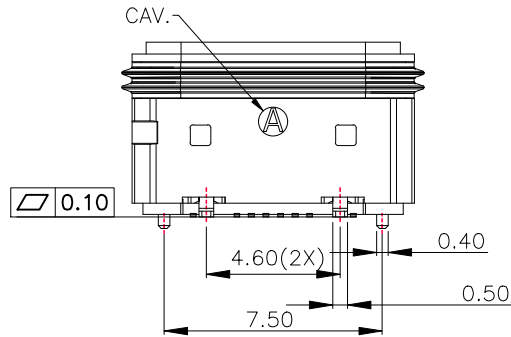
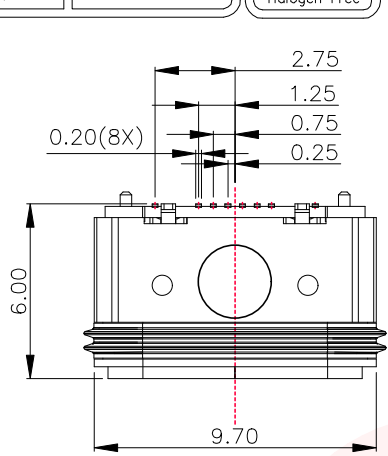




| REV. | ECN NO OR DESCRIPTION | REVISED | DATE |
|------|-----------------------|---------|------|
| | | | |
| | | | |



NOTE:

1.MATERIAL SPECIFICATION:

- 1.HOUSING:HIGH TEMPERATURE RESISTANT PLASTIC
- 2.TERMINAL: COPPER ALLOY
- 3.MID PLATE: STAINLESS STEEL
- 4.FRONT SHELL: STAINLESS STEEL
- 5.O-RING: GLUE

2.PLATING SPECIFICATION:

2-1.TERMINAL:

- Ni 50u" MIN. UNDER PLATED OVER ALL.
- Au G/F PLATED ON THE CONTACT AREA
- Au G/F PLATED ON THE SOLDER AREA

2-2. SHELL:

- Ni 50u" MIN. UNDER PLATED OVER ALL.

2-3.MID PLATE:

- CLEAR ONLY

3.MECHANICAL PERFORMANCE,

- 3-1.INSERTION FORCE: 0.5~2.0kgf.
- 3-2.REMOVAL FORCE: 0.8kgf~2.0kgf.
- 3-3.DURABILITY: 10000 CYCLES.

4.ELECTRICAL PERFORMANCE,

- 4-1. VOLTAGE RATING:5 V DC/AC (RMS. max)
CURRENT RATING:5 AMPS. FOR TOTAL VBUS/GND PINS;
- 4-2. LLCR:
VBUS & GND PINS AND OTHER PINS: 40ma/PIN MAX.
LLCR MAX. CHANGE OF ALL PINS: 10ma.
- 4-3.INSULATION RESISTANCE: 100MΩ MIN
- 4-4.DIELECTRIC WITHSTAND VOLTAGE,AC 100V FOR 1 MINUTE.

5. ENVIRONMENTAL PERFORMANCE:

- OPERATING TEMPERATURE: -25°C~+85°C.

6.IR REFLOW:

- THE PEAK TEMPERATURE ON THE BOARD SHALL BE MAINTAINED FOR 10 SECONDS AT 260°C.

7.WATERPROOF:IPX5

UNLESS OTHERWISE SPECIFIED TOLERANCES

| DECIMALS: | ANGLES: |
|-------------|----------|
| X :±0.30 | X :±2° |
| X.X :±0.20 | X.X :±1° |
| X.XX :±0.10 | |



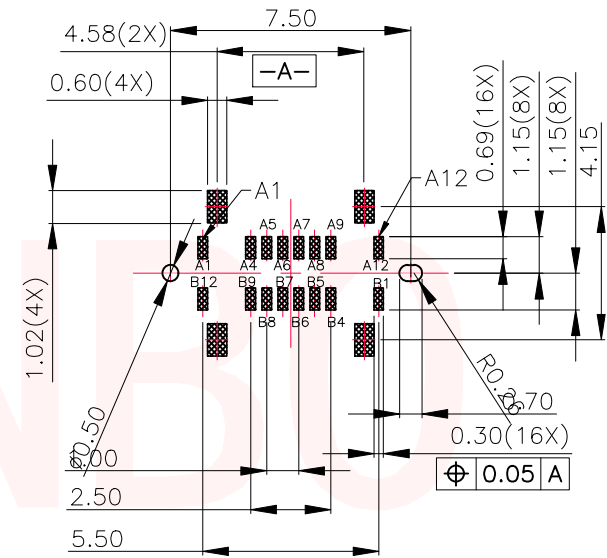
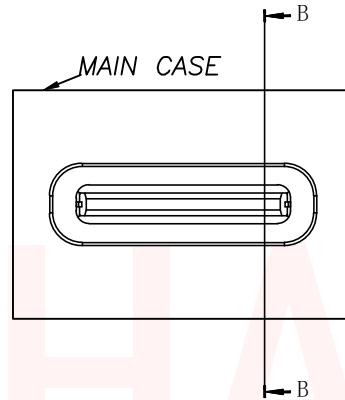
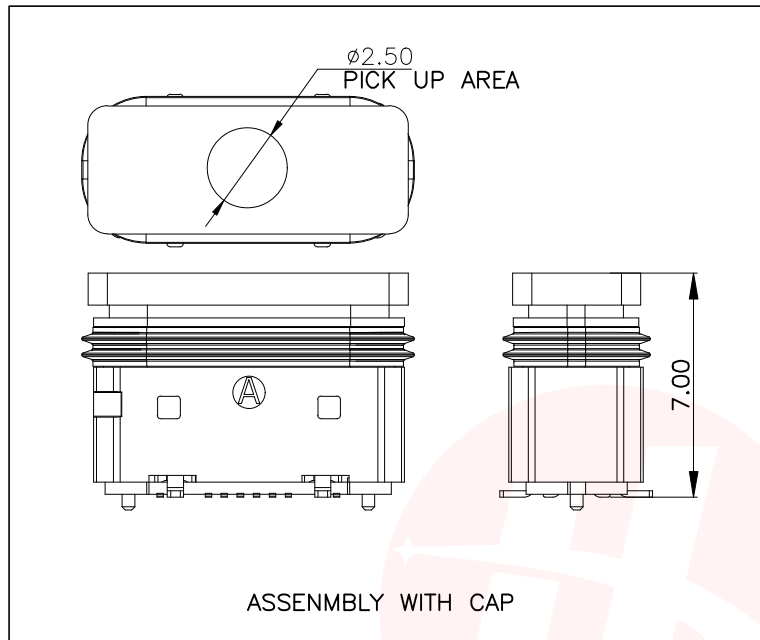
东莞市汉博电子科技有限公司
DONGGUAN HANBO TECHNOLOGY CO., LTD

| TITLE | USB TYPE C 16Pos VERTIACL H=6.0mm IPX5 | | | |
|-------|--|-----------|-------------|---------|
| DWN | xiong | PART NO. | MC-244-H60 | |
| CHKD | lee | SCALE:1:1 | UNIT: mm | |
| APVD | wang | SIZE: A4 | SHEET:10F 1 | REV: A4 |

CUSTOMER COPY



| REV. | ECN NO OR DESCRIPTION | REVISED | DATE |
|------|-----------------------|---------|------|
| | | | |
| | | | |



RECOMMENDED PCB LAYOUT(TOP VIEW)
THICKNESS 0.8±0.10MM;DEFAULT TOLERANCE:±0.05

USB TYPE-C PIN ASSIGNMENTS

| PIN NUMBER | SIGNAL NAME | PIN NUMBER | SIGNAL NAME |
|------------|-------------|------------|-------------|
| A1 | GND | B12 | GND |
| / | / | / | / |
| A4 | Vbus | B9 | Vbus |
| A5 | CC1 | B8 | SBU2 |
| A6 | Dp1 | B7 | Dn2 |
| A7 | Dn1 | B6 | Dp2 |
| A8 | SBU1 | B5 | CC2 |
| A9 | Vbus | B4 | Vbus |
| / | / | / | / |
| / | / | / | / |
| A12 | GND | B1 | GND |

UNLESS OTHERWISE SPECIFIED TOLERANCES

| | |
|-------------|----------|
| DECIMALS: | ANGLES: |
| X :±0.30 | X :±2° |
| X.X :±0.20 | X.X :±1° |
| X.XX :±0.10 | |



东莞市汉博电子科技有限公司
DONGGUAN HANBO TECHNOLOGY CO., LTD

| | | | |
|---------------|--|---------------------|-------------|
| TITLE | USB TYPE C 16Pos VERTIACL H=6.0mm IPX5 | | |
| DWN | xiong | PART NO. MC-244-H60 | |
| CHKD | lee | SCALE:1:1 | UNIT: mm |
| APVD | wang | SIZE: A4 | SHEET:10F 1 |
| REV: A4 | | | |
| CUSTOMER COPY | | | |