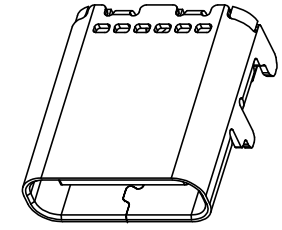
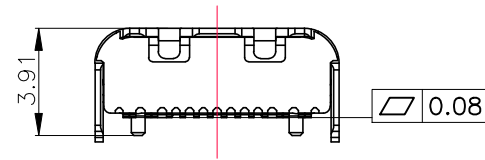
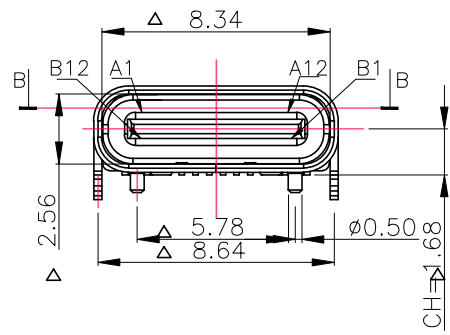




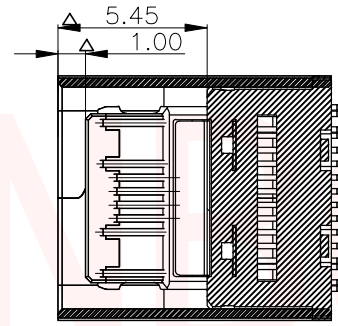
REV.	ECN NO OR DESCRIPTION	REVISED	DATE



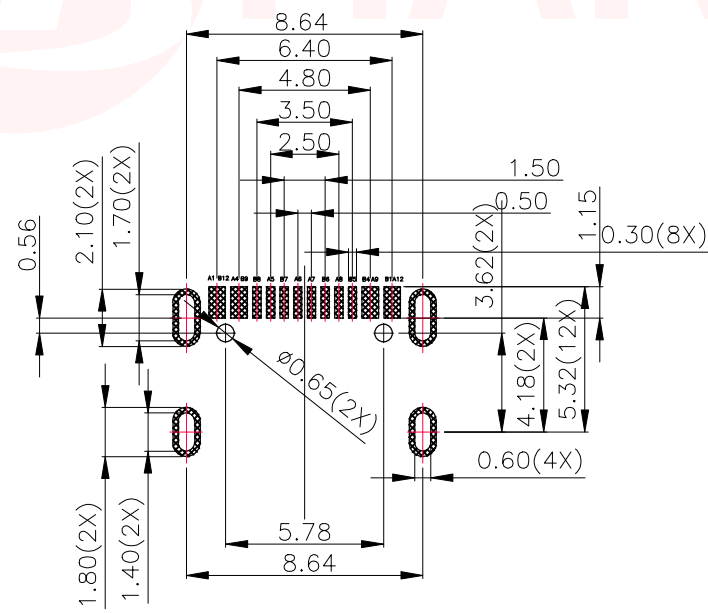
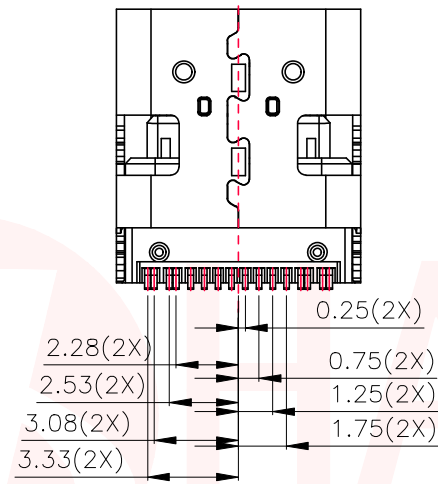
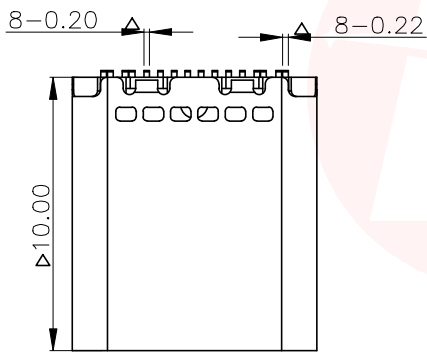
NOTE:

- MATERIAL:
  - INSULATOR: HIGH TEMPERATURE PLASTIC UL 94V-0;
  - CONTACT: COPPER ALLOY
  - SHELL: STAINLESS STEEL
- ELECTRICAL CHARACTERISTICS:
  - CONTACT RESISTANCE: 40mΩ Max FOR INITIAL, 30mΩ CHANGE AFTER TEST. MEASURE AT 20mV, 100mA.
  - CONTACT CURRENT RATING: 5A FOR VBUS PIN, 1.25A FOR VCONN PIN.
  - DIELECTRIC WITHSTANDING VOLTAGE: 100V AC R.M.S.
  - INSULATION RESISTANCE 100MΩ Min
  - OPERATING TEMPERATURE: -40°C ~ 85°C
- MECHANICAL CHARACTERISTICS:
  - MATING FORCE: 5~20 N.
  - UNMATED FORCE: 8~20N AFTER TEST
  - DURABILITY: 10,000 CYCLES
- PLATING
  - TERMINAL CONTACT: (SEE TAB) GOLD PLATING ALL OVER 50u" Min NICKEL AND 80u" Min Tin ALL OVER 50u" Min NICKEL ON SOLDER AREA
  - SHELL: 50u" Min. NICKEL ALL OVER, 5.TID 5719

6. "△" Focus on size control



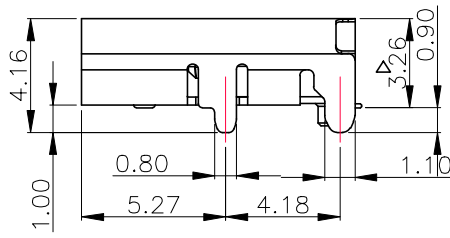
截面B-B



RECOMMENDED P.C.B LAYOUT

USB TYPE-C PIN ASSIGNMENTS

PIN NUMBER	SIGNAL NAME	PIN NUMBER	SIGNAL NAME
A1	GND	B12	GND
A4	VBUS	B9	VBUS
A5	CC1	B8	SBU2
A6	Dp1	B7	Dn2
A7	Dn1	B6	Dp2
A8	SBU1	B5	CC2
A9	VBUS	B4	VBUS
A12	GND	B1	GND



UNLESS OTHERWISE SPECIFIED TOLERANCES

DECIMALS: X ±0.30, X.X ±0.20, X.XX ±0.10

ANGLES: X ±2°, X.X ±1°

TITLE: TYPE C 16P板上单排 L=10.0mm无弹片

DWN: xiong

CHKD: lee

APVD: wang

PART NO. MC-121-L100

SCALE:1:1

SIZE: A4

UNIT: mm

SHEET:10F 1

REV: A4

CUSTOMER COPY

