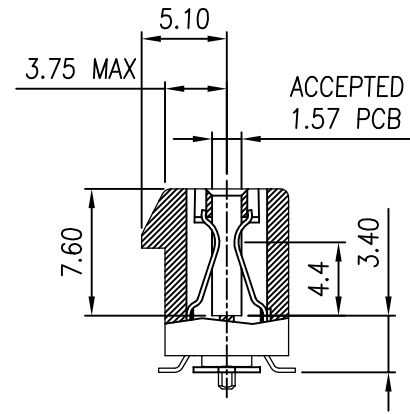
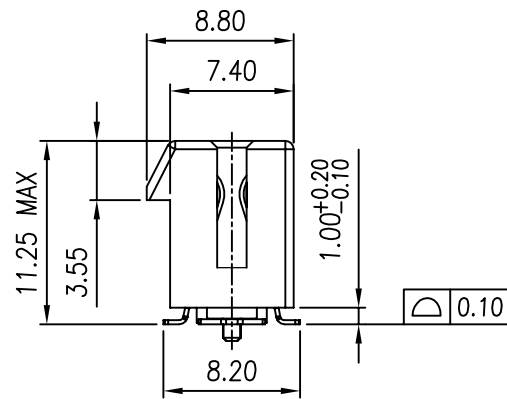


DIMENSIONS				
POSITION	A±0.20	C ±0.25	D ±0.25	E ±0.30
36	6.00	9.15	25	27
64	20.00	23.15	39	41
98	37.00	40.15	56	58
164	70.00	73.15	89	91



SECTION G-G

PROVISIONAL

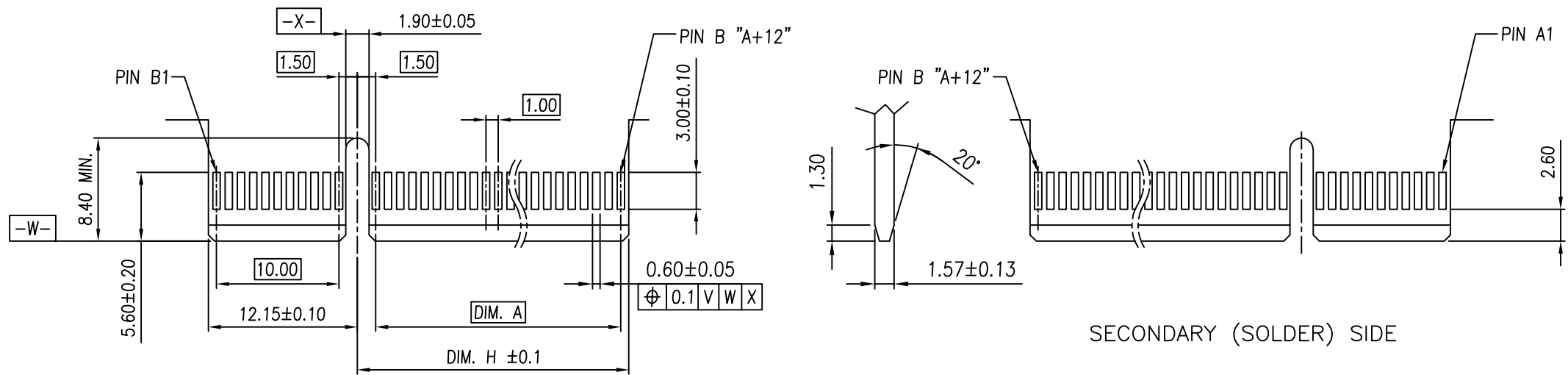
REV	ECN NO.	NAME	DATE
0	-----	Lei Songping	Jul,19,2022

TOLERANCE	
LINEAR	ANGLES
X.±0.40	X'±
.X±0.30	.X'±
.XX±0.20	.XX'±
.XXX±0.10	.XXX'±

UMax 东莞市友贸实业有限公司
conn DONGGUAN UMAX ENTERPRISE LIMITED

APPD: Jason MAT'L:
 CHKD: Schumi FINISH:
 DRWN: Lei Songping Q'TY:

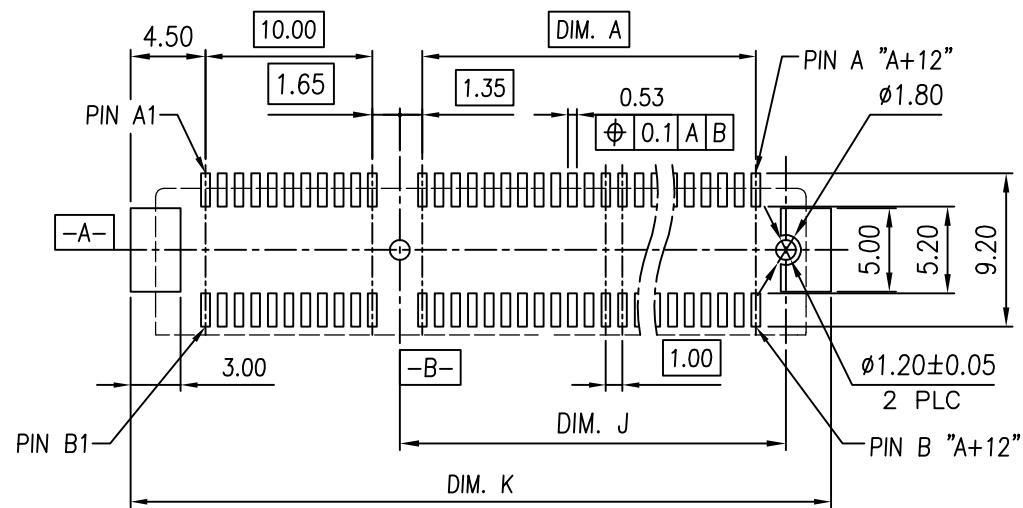
TITLE: PCI-E CARD EDGE GEN5 SMT OPEN END			
PART NO.		91651-XXXXXX	
DWG NO.		C-91651	
	UNITS	SCALE	SHEET
	MM	1 : 1	1 OF 3
		REV	0



← I/O PANEL DIRECTION
PRIMARY (COMPONENT) SIDE

NOTES:
CHAMFER EDGE MUST BE FREE OF CUTTING BURRS

SECONDARY (SOLDER) SIDE



RECOMMENDED PCB LAYOUT
(COMPONENT SIDE)
TOLERANCE: ±0.05

POS.	DIM. A	DIM. H	DIM. J	DIM. K
36	6	8.15	9.15	28.0
64	20	22.15	23.15	42.0
98	37	39.15	40.15	59.0
164	70	72.15	73.15	92.0

PROVISIONAL

				TOLERANCE		UMax 东莞市友贸实业有限公司 conn DONGGUAN UMAX ENTERPRISE LIMITED		TITLE: PCI-E CARD EDGE GEN5 SMT OPEN END					
				LINEAR	ANGLES			PART NO. 91651-XXXXXX					
				X.±0.40	X'±	APPD: Jason	MAT'L:	DWG NO. C-91651					
				.X±0.30	.X'±	CHKD: Schumi	FINISH:		UNITS	SCALE	SHEET	REV	
REV	ECN NO.	NAME	DATE	.XX±0.20	.XX'±	DRWN: Lei Songping	Q'TY:		MM	1 : 1	2 OF 3	0	
				.XXX±0.10	.XXX'±								

NOTES:

1. MATERIAL:

- 1.1 HOUSING: THERMOPLASTIC, HIGH TEMP, UL94V-0, COLOR: SEE PART No..
- 1.2 CONTACTS: COPPER ALLOY.
- 1.3 HOLDDOWN: COPPER ALLOY.

2. FINISH:

2.1 CONTACT:

- SELECTIVE GOLD PLATING ON THE CONTACT AREA.
- 100 μ " MIN. MATTE-TIN PLATING ON THE SOLDER TAILS,
- 50 μ " MIN. NICKEL UNDERPLATING OVERALL.

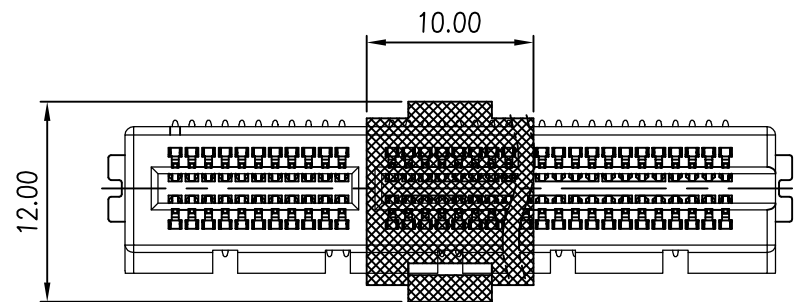
2.2 HOLDDOWN:

- 100 μ " MIN. MATTE-TIN PLATING WITH 50 μ " MIN. NICKEL UNDERPLATE OVERALL.

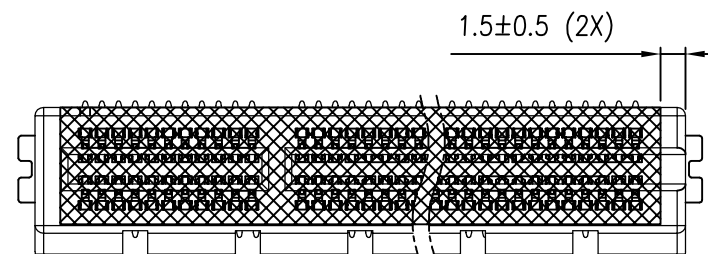
4. PRODUCT SPEC: PS-GEN5-01

5. PACKAGING SPEC: 311304001 FOR TRAY, 311304003 HARD TRAY.

6. THE PATENT IS OBTAINED FOR UMAX



WITH CAP



WITH MYLAR

PART NO.

91651 - X 1 X X X HF

Ridge Options
0: Non Ridge
1: With Ridge

HSG Color
1: Black

Post Options
0: With Post
1: Without Post

Contact Plating
0: 30 μ " Gold
1: 15 μ " Gold
2: Gold Flash

Packing Options
T-Tray Packaging
C-Tray Packaging With Cap
N-Tray Packaging With Mylar
Y-Hard Tray(338x235)
Z-Hard Tray(338x235) With Mylar
B-Hard Tray(338x235) With Cap

No. of Pins
0: 36P
1: 64P
2: 98P
3: 164P

PROVISIONAL

		TOLERANCE		UMax 东莞市友贸实业有限公司 conn DONGGUAN UMAX ENTERPRISE LIMITED		TITLE: PCI-E CARD EDGE GEN5 SMT OPEN END				
		LINEAR	ANGLES			PART NO. 91651-XXXXXX				
		X.±0.40	X'±	APPD: Jason	MAT'L:	DWG NO. C-91651				
		.X±0.30	.X'±	CHKD: Schumi	FINISH:		UNITS	SCALE	SHEET	REV
	SEE SHEET 1	.XX±0.20	.XX'±	DRWN: Lei Songping	Q'TY:		MM	1 : 1	3 OF 3	0
REV	ECN NO.	NAME	DATE	.XXX±0.10	.XXX'±					