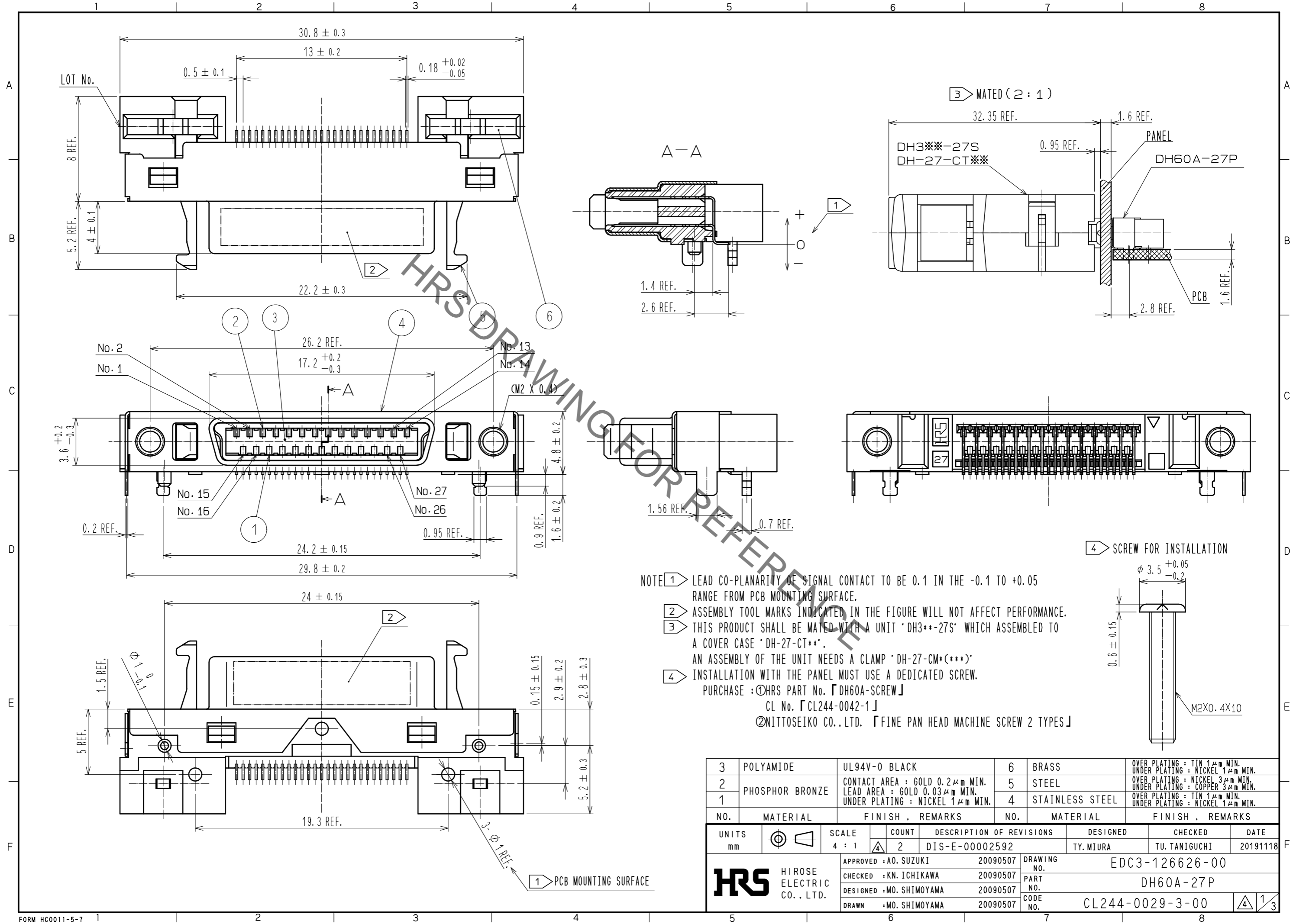


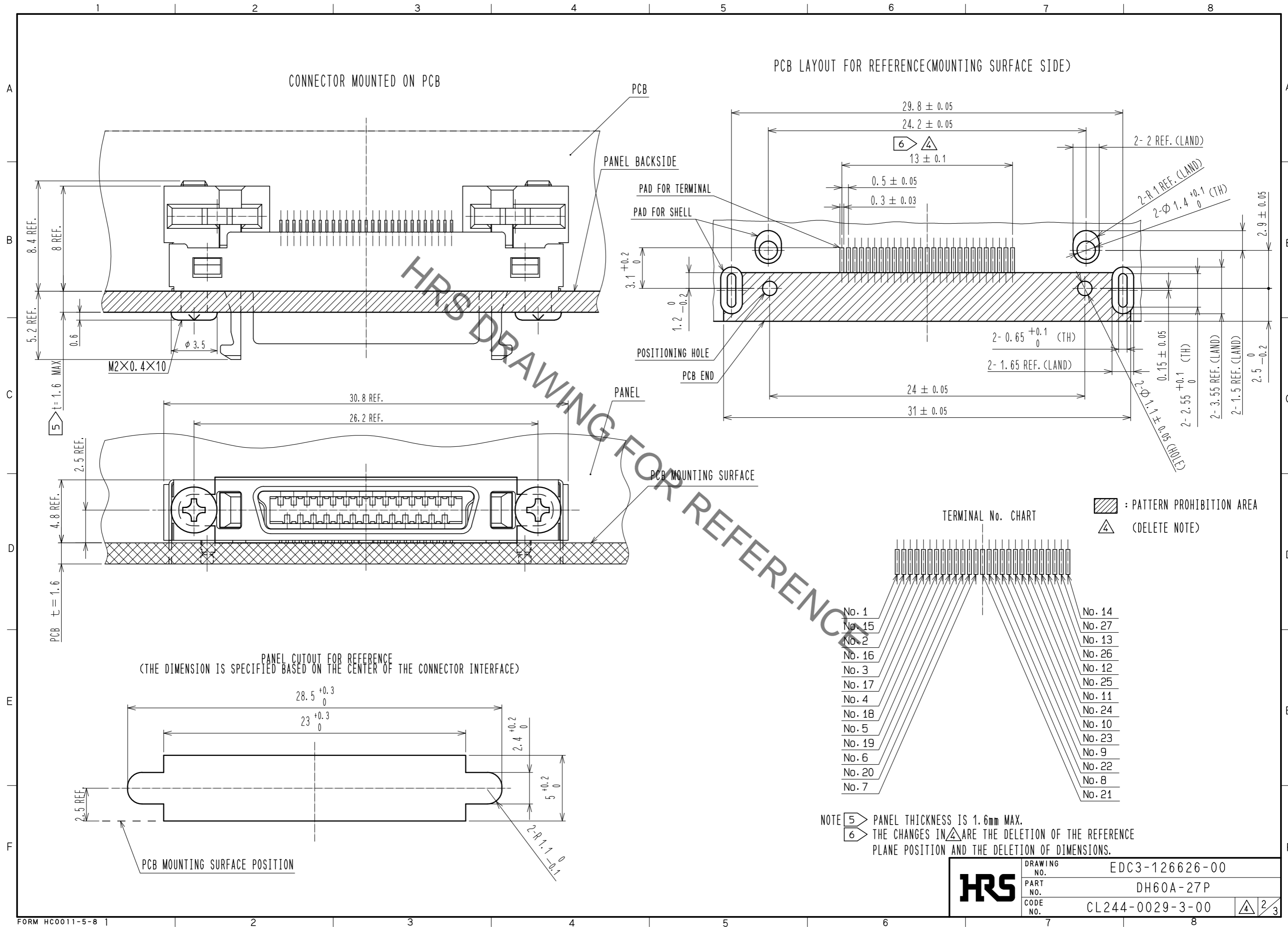
Jan.1.2022 Copyright 2022 HIROSE ELECTRIC CO., LTD. All Rights Reserved.
 In case of consideration for using Automotive equipment / device which demand high reliability, kindly contact our sales window correspondents.



NOTE 1 LEAD CO-PLANARITY OF SIGNAL CONTACT TO BE 0.1 IN THE -0.1 TO +0.05 RANGE FROM PCB MOUNTING SURFACE.
 2 ASSEMBLY TOOL MARKS INDICATED IN THE FIGURE WILL NOT AFFECT PERFORMANCE.
 3 THIS PRODUCT SHALL BE MATED WITH A UNIT 'DH3**-27S' WHICH ASSEMBLED TO A COVER CASE 'DH-27-CT**'.
 AN ASSEMBLY OF THE UNIT NEEDS A CLAMP 'DH-27-CM*(***)'
 4 INSTALLATION WITH THE PANEL MUST USE A DEDICATED SCREW.
 PURCHASE : ①HRS PART No. 「DH60A-SCREW」
 CL No. 「CL244-0042-1」
 ②NITTOSEIKO CO.,LTD. 「FINE PAN HEAD MACHINE SCREW 2 TYPES」

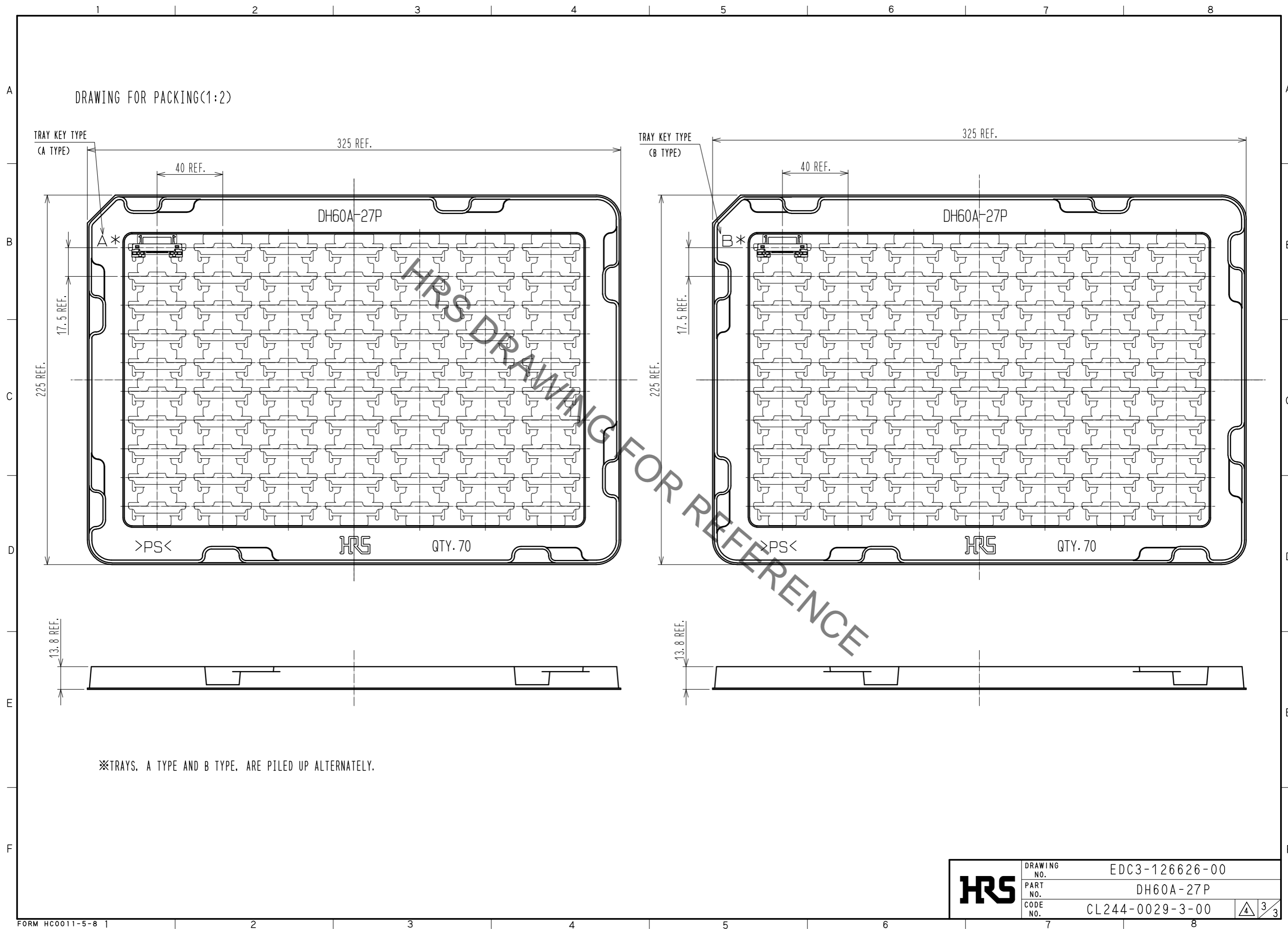
3	POLYAMIDE	UL94V-0 BLACK	6	BRASS	OVER PLATING : TIN 1μm MIN. UNDER PLATING : NICKEL 1μm MIN.		
2	PHOSPHOR BRONZE	CONTACT AREA : GOLD 0.2μm MIN. LEAD AREA : GOLD 0.03μm MIN. UNDER PLATING : NICKEL 1μm MIN.	5	STEEL	OVER PLATING : NICKEL 3μm MIN. UNDER PLATING : COPPER 3μm MIN.		
1			4	STAINLESS STEEL	OVER PLATING : TIN 1μm MIN. UNDER PLATING : NICKEL 1μm MIN.		
NO.	MATERIAL	FINISH . REMARKS	NO.	MATERIAL	FINISH . REMARKS		
UNITS	mm	SCALE	COUNT	DESCRIPTION OF REVISIONS	DESIGNED	CHECKED	DATE
		4 : 1	2	DIS-E-00002592	TY. MIURA	TU. TANIGUCHI	20191118
APPROVED : A0. SUZUKI		20090507	DRAWING NO.		EDC3-126626-00		
CHECKED : KN. ICHIKAWA		20090507	PART NO.		DH60A-27P		
DESIGNED : MO. SHIMOYAMA		20090507	CODE NO.		CL244-0029-3-00		
DRAWN : MO. SHIMOYAMA		20090507					

Jan.1.2022 Copyright 2022 HIROSE ELECTRIC CO., LTD. All Rights Reserved.
 In case of consideration for using Automotive equipment / device which demand high reliability, kindly contact our sales window correspondents.



HRS	DRAWING NO.	EDC3-126626-00
	PART NO.	DH60A-27P
	CODE NO.	CL244-0029-3-00

Jan.1.2022 Copyright 2022 HIROSE ELECTRIC CO., LTD. All Rights Reserved.
In case of consideration for using Automotive equipment / device which demand high reliability, kindly contact our sales window correspondents.



HRS	DRAWING NO.	EDC3-126626-00
	PART NO.	DH60A-27P
	CODE NO.	CL244-0029-3-00
		4/3