

裕太微电子
Motorcomm

Motorcomm

YT8531SH / YT8531SC

Datasheet

INTEGRATED 10/100/1000 GIGABIT ETHERNET TRANSCEIVER

VERSION DRAFT_03
DATE 2021-08-30

Copyright Statement

This document is copyright of Suzhou Motorcomm Electronic Technology Co., Ltd. ("Motorcomm"). All rights reserved. No company or individual may copy, disseminate, disclose or otherwise distribute any part of this document to any third party without the written consent of Motorcomm. If any company or individual so does, Motorcomm reserves the right to hold it or him liable therefor.

Disclaimer

This document only provides periodic information, and its contents will/may be updated from time to time according to actual situation of Motorcomm's products without further notice. Motorcomm will not take any responsibility for any direct or indirect losses caused due to improper use of this document.

Confidential

Revision History

Revision	Release Date	Summary
Draft 01	2021/07/12	First version.
Draft 02	2021/08/04	Add mechanical information.
Draft 03	2021/08/30	Add register description.

Confidential

Content

1. General Description.....	1
1.1. TARGET APPLICATIONS	1
2. Features.....	2
3. Pin Assignment.....	4
3.1. YT8531S QFN48 6x6mm.....	4
3.2. Pin Descriptions.....	5
3.3. Pin Assignment.....	5
3.4. Transceiver Interface	6
3.5. Clock.....	6
3.6. RGMII	6
3.7. SerDes.....	7
3.8. Reset	7
3.9. Mode Selection	7
3.10. LED Default Settings.....	8
3.11. Regulator and Reference.....	8
3.12. Power Related.....	8
3.13. Management	8
3.14. Miscellaneous Pins	9
4. Function Description	10
4.1. Application Diagram	10
4.1.1. UTP (UTP<->RGMII / UTP<->SGMII) Application.....	10
4.1.2. Fiber (FIBER<->RGMII) Application.....	10
4.1.3. UTP/Fiber to RGMII (UTP/FIBER Media Auto Detection RGMII) Application.....	10
4.1.4. SGMII to RGMII (SGMII <->RGMII Bridge Mode) Application.....	11
4.1.5. Fiber to UTP (UTP<->FIBER Media Converter) Application	11
4.2. Transmit Functions	11
4.2.1. Transmit Encoder Modes.....	11
4.3. Receive Functions.....	12
4.3.1. Receive Decoder Modes	12
4.4. LRE100-4	12
4.5. Echo Canceller.....	12
4.6. NEXT Canceller	12
4.7. Baseline Wander Canceller.....	12
4.8. Digital Adaptive Equalizer	13
4.9. Management Interface	13
4.10. Auto-Negotiation	13
4.11. LDS (Link Discover Signaling).....	13
4.12. Polarity Detection and Auto Correction	13
4.13. Loopback Mode.....	13
4.13.1. Digital Loopback	13
4.13.2. External loopback.....	14
4.13.3. Remote PHY loopback	14
4.14. Energy Efficient Ethernet (EEE)	14
4.15. Synchronous Ethernet (Sync-E).....	15
4.16. Wake-On-LAN (WOL).....	15
4.17. Link Down Power Saving (Sleep Mode).....	15
4.18. Interrupt	15
5. Operational Description.....	16
5.1. Reset	16
5.2. PHY Address	16
5.3. RGMII Interface	16
5.4. LED	17
5.5. INT_N/PME_N Pin Usage	17
5.6. Power Supplies	17
5.6.1. Internal Switch Regulator	17
5.6.2. Internal LDO.....	17

6. Register Overview	18
6.1. Common Register	18
6.1.1. SMI_SDS_PHY (EXT_0xA000).....	18
6.1.2. Chip_Config (EXT_0xA001).....	18
6.1.3. SDS_Config (EXT_0xA002).....	19
6.1.4. RGMII_Config1 (EXT_0xA003).....	19
6.1.5. RGMII_Config2 (EXT_0xA004).....	20
6.1.6. MDIO_Cfg_And_RGMII_OOB_Mon (EXT_0xA005).....	20
6.1.7. Misc_Config (EXT_0xA006).....	21
6.1.8. MAC_Address_Cfg1 (EXT_0xA007).....	21
6.1.9. MAC_Address_Cfg2 (EXT_0xA008).....	21
6.1.10. MAC_Address_Cfg3 (EXT_0xA009).....	21
6.1.11. WOL_Cfg (EXT_0xA00A).....	22
6.1.12. LED_GENERAL_CFG (EXT_0xA00B).....	22
6.1.13. LED0_CFG (EXT_0xA00C).....	23
6.1.14. LED1_CFG (EXT_0xA00D).....	24
6.1.15. LED2_CFG (EXT_0xA00E).....	24
6.1.16. LED_BLINK_CFG (EXT_0xA00F).....	25
6.1.17. Pad Drive Strength Cfg (EXT_0xA010).....	25
6.1.18. SyncE_CFG (EXT_0xA012).....	26
6.2. UTP MII Register	26
6.2.1. Basic Control Register (0x00).....	26
6.2.2. Basic Status Register (0x01).....	27
6.2.3. PHY Identification Register1 (0x02).....	28
6.2.4. PHY Identification Register2 (0x03).....	28
6.2.5. Auto-Negotiation Advertisement (0x04).....	28
6.2.6. Auto-Negotiation Link Partner Ability (0x05).....	30
6.2.7. Auto-Negotiation Expansion Register (0x06).....	31
6.2.8. Auto-Negotiation NEXT Page Register (0x07).....	32
6.2.9. Auto-Negotiation Link Partner Received NEXT Page Register (0x08).....	32
6.2.10. MASTER-SLAVE control register (0x09).....	32
6.2.11. MASTER-SLAVE Status Register (0x0A).....	34
6.2.12. MMD Access Control Register (0x0D).....	35
6.2.13. MMD Access Data Register (0x0E).....	35
6.2.14. Extended status register (0x0F).....	35
6.2.15. PHY Specific Function Control Register (0x10).....	35
6.2.16. PHY Specific Status Register (0x11).....	36
6.2.17. Interrupt Mask Register (0x12).....	37
6.2.18. Interrupt Status Register (0x13).....	38
6.2.19. Speed Auto Downgrade Control Register (0x14).....	38
6.2.20. Rx Error Counter Register (0x15).....	39
6.2.21. Extended Register's Address Offset Register (0x1E).....	39
6.2.22. Extended Register's Data Register (0x1F).....	39
6.3. UTP MMD Register	39
6.3.1. PCS Control 1 Register (MMD3, 0x0).....	39
6.3.2. PCS Status 1 Register (MMD3, 0x1).....	40
6.3.3. EEE Control and Capability Register (MMD3, 0x14).....	40
6.3.4. EEE Wake Error Counter (MMD3, 0x16).....	40
6.3.5. Local Device EEE Ability (MMD7, 0x3C).....	40
6.3.6. Link Partner EEE Ability (MMD7, 0x3D).....	40
6.4. UTP LDS Register.....	41
6.4.1. LRE Control (0x00).....	41
6.4.2. LRE Status (0x01).....	41
6.4.3. PHY ID Register1 (0x02).....	42
6.4.4. PHY ID Register2 (0x03).....	42
6.4.5. LDS Auto-Negotiation Advertised Ability (0x04).....	42
6.4.6. LDS Link Partner Ability (0x07).....	42
6.4.7. LDS Expansion (0x0A).....	43

6.4.8. LDS Results (0x0B).....	43
6.5. UTP EXT Register.....	43
6.5.1. Pkgen Cfg1 (EXT_0x38).....	43
6.5.2. Pkgen Cfg3 (EXT_0x3A).....	44
6.5.3. Pkg Cfg0 (EXT_0xA0).....	44
6.5.4. Pkg Cfg1 (EXT_0xA1).....	45
6.5.5. Pkg Cfg2 (EXT_0xA2).....	45
6.5.6. Pkg Rx Valid0 (EXT_0xA3).....	45
6.5.7. Pkg Rx Valid1 (EXT_0xA4).....	45
6.5.8. Pkg Rx Os0 (EXT_0xA5).....	46
6.5.9. Pkg Rx Os1 (EXT_0xA6).....	46
6.5.10. Pkg Rx Us0 (EXT_0xA7).....	46
6.5.11. Pkg Rx Us1 (EXT_0xA8).....	46
6.5.12. Pkg Rx Err (EXT_0xA9).....	46
6.5.13. Pkg Rx Os Bad (EXT_0xAA).....	46
6.5.14. Pkg Rx Fragment (EXT_0xAB).....	46
6.5.15. Pkg Rx Nosfd (EXT_0xAC).....	47
6.5.16. Pkg Tx Valid0 (EXT_0xAD).....	47
6.5.17. Pkg Tx Valid1 (EXT_0xAE).....	47
6.5.18. Pkg Tx Os0 (EXT_0xAF).....	47
6.5.19. Pkg Tx Os1 (EXT_0xB0).....	47
6.5.20. Pkg Tx Us0 (EXT_0xB1).....	47
6.5.21. Pkg Tx Us1 (EXT_0xB2).....	48
6.5.22. Pkg Tx Err (EXT_0xB3).....	48
6.5.23. Pkg Tx Os Bad (EXT_0xB4).....	48
6.5.24. Pkg Tx Fragment (EXT_0xB5).....	48
6.5.25. Pkg Tx Nosfd (EXT_0xB6).....	48
6.6. SDS MII Register.....	48
6.6.1. Basic Control Register (0x00).....	48
6.6.2. Basic Status Register (0x01).....	49
6.6.3. Sds Identification Register1 (0x02).....	50
6.6.4. Sds Identification Register2 (0x03).....	50
6.6.5. Auto-Negotiation Advertisement (0x04).....	50
6.6.6. Auto-Negotiation Link Partner Ability (0x05).....	51
6.6.7. Auto-Negotiation Expansion Register (0x06).....	51
6.6.8. Auto-Negotiation NEXT Page Register (0x07).....	51
6.6.9. Auto-Negotiation Link Partner Received NEXT Page Register (0x08).....	51
6.6.10. Extended status register (0x0F).....	52
6.6.11. Sds Specific Status Register (0x11).....	52
6.6.12. 100BASE-FX Cfg (0x14).....	53
6.6.13. Receive Err Counter (0x15).....	53
6.6.14. Link Fail Counter (0x16).....	53
6.7. SDS EXT Register.....	53
6.7.1. Pkgen Cfg1 (EXT_0x38).....	53
6.7.2. Pkgen Cfg3 (EXT_0x3A).....	54
6.7.3. Pkg Cfg0 (EXT_0x1A0).....	54
6.7.4. Pkg Cfg1 (EXT_0x1A1).....	55
6.7.5. Pkg Cfg2 (EXT_0x1A2).....	55
6.7.6. Pkg Rx Valid0 (EXT_0x1A3).....	55
6.7.7. Pkg Rx Valid1 (EXT_0x1A4).....	55
6.7.8. Pkg Rx Os0 (EXT_0x1A5).....	55
6.7.9. Pkg Rx Os1 (EXT_0x1A6).....	55
6.7.10. Pkg Rx Us0 (EXT_0x1A7).....	56
6.7.11. Pkg Rx Us1 (EXT_0x1A8).....	56
6.7.12. Pkg Rx Err (EXT_0x1A9).....	56
6.7.13. Pkg Rx Os Bad (EXT_0x1AA).....	56
6.7.14. Pkg Rx Fragment (EXT_0x1AB).....	56
6.7.15. Pkg Rx Nosfd (EXT_0x1AC).....	56

6.7.16. Pkg Tx Valid0 (EXT_0x1AD).....	57
6.7.17. Pkg Tx Valid1 (EXT_0x1AE).....	57
6.7.18. Pkg Tx Os0 (EXT_0x1AF).....	57
6.7.19. Pkg Tx Os1 (EXT_0x1B0).....	57
6.7.20. Pkg Tx Us0 (EXT_0x1B1).....	57
6.7.21. Pkg Tx Us1 (EXT_0x1B2).....	57
6.7.22. Pkg Tx Err (EXT_0x1B3).....	58
6.7.23. Pkg Tx Os Bad (EXT_0x1B4).....	58
6.7.24. Pkg Tx Fragment (EXT_0x1B5).....	58
6.7.25. Pkg Tx Nosfd (EXT_0x1B6).....	58
7. Power Requirements.....	59
8. Timing and AC/DC Characteristics.....	60
8.1. DC Characteristics.....	60
8.2. AC Characteristics.....	60
8.2.1. SMI (MDC/MDIO) Interface Characteristics.....	60
8.3. Crystal Requirement.....	60
8.4. Oscillator/External Clock Requirement.....	60
9. Thermal Resistance.....	62
10. Mechanical Information.....	63
11. Ordering Information.....	64

Confidential

List of Tables

Table 1. Pin Assignment.....	5
Table 2. Transceiver Interface	6
Table 3. Clock.....	6
Table 4. RGMII	6
Table 5. SerDes.....	7
Table 6. Reset	7
Table 7. Mode Selection	7
Table 8. LED Default Settings.....	8
Table 9. Regulator and Reference.....	8
Table 10. Power Related.....	8
Table 11. Management	8
Table 12. Miscellaneous Pins	9
Table 13. Reset Timing Characteristics	16
Table 14. CFG_LDO[1:0] Configuration	17
Table 15. Register Access Types.....	18
Table 16. SMI_SDS_PHY (EXT_0xA000).....	18
Table 17. Chip_Config (EXT_0xA001)	18
Table 18. SDS_Config (EXT_0xA002).....	19
Table 19. RGMII_Config1 (EXT_0xA003)	19
Table 20. RGMII_Config2 (EXT_0xA004)	20
Table 21. MDIO_Cfg_And_RGMII_OOB_Mon (EXT_0xA005).....	20
Table 22. Misc_Config (EXT_0xA006).....	21
Table 23. MAC_Address_Cfg1 (EXT_0xA007).....	21
Table 24. MAC_Address_Cfg2 (EXT_0xA008).....	21
Table 25. MAC_Address_Cfg3 (EXT_0xA009).....	21
Table 26. WOL_Cfg (EXT_0xA00A)	22
Table 27. LED_GENERAL_CFG (EXT_0xA00B)	22
Table 28. LED0_CFG (EXT_0xA00C).....	23
Table 29. LED1_CFG (EXT_0xA00D).....	24
Table 30. LED2_CFG (EXT_0xA00E).....	24
Table 31. LED_BLINK_CFG (EXT_0xA00F)	25
Table 32. Pad Drive Strength Cfg (EXT_0xA010)	25
Table 33. SyncE_CFG (EXT_0xA012).....	26
Table 34. Basic Control Register (0x00)	26
Table 35. Basic Status Register (0x01).....	27
Table 36. PHY Identification Register1 (0x02).....	28
Table 37. PHY Identification Register2 (0x03).....	28
Table 38. Auto-Negotiation Advertisement (0x04).....	28
Table 39. Auto-Negotiation Link Partner Ability (0x05)	30
Table 40. Auto-Negotiation Expansion Register (0x06)	31
Table 41. Auto-Negotiation NEXT Page Register (0x07).....	32
Table 42. Auto-Negotiation Link Partner Received NEXT Page Register (0x08)	32
Table 43. MASTER-SLAVE control register (0x09).....	32
Table 44. MASTER-SLAVE Status Register (0x0A)	34
Table 45. MMD Access Control Register (0x0D).....	35
Table 46. MMD Access Data Register (0x0E).....	35
Table 47. Extended status register (0x0F)	35
Table 48. PHY Specific Function Control Register (0x10).....	35
Table 49. PHY Specific Status Register (0x11).....	36
Table 50. Interrupt Mask Register (0x12)	37
Table 51. Interrupt Status Register (0x13).....	38
Table 52. Speed Auto Downgrade Control Register (0x14).....	38
Table 53. Rx Error Counter Register (0x15)	39
Table 54. Extended Register's Address Offset Register (0x1E)	39
Table 55. Extended Register's Data Register (0x1F).....	39
Table 56. PCS Control 1 Register (MMD3, 0x0)	39

Table 57. PCS Status 1 Register (MMD3, 0x1).....	40
Table 58. EEE Control and Capability Register (MMD3, 0x14).....	40
Table 59. EEE Wake Error Counter (MMD3, 0x16).....	40
Table 60. Local Device EEE Ability (MMD7, 0x3C).....	40
Table 61. Link Partner EEE Ability (MMD7, 0x3D).....	40
Table 62. LRE Control (0x00).....	41
Table 63. LRE Status (0x01).....	41
Table 64. PHY ID Register1 (0x02).....	42
Table 65. PHY ID Register2 (0x03).....	42
Table 66. LDS Auto-Negotiation Advertised Ability (0x04).....	42
Table 67. LDS Link Partner Ability (0x07).....	42
Table 68. LDS Expansion (0x0A).....	43
Table 69. LDS Results (0x0B).....	43
Table 70. Pkgen Cfg1 (EXT_0x38).....	43
Table 71. Pkgen Cfg3 (EXT_0x3A).....	44
Table 72. Pkg Cfg0 (EXT_0xA0).....	44
Table 73. Pkg Cfg1 (EXT_0xA1).....	45
Table 74. Pkg Cfg2 (EXT_0xA2).....	45
Table 75. Pkg Rx Valid0 (EXT_0xA3).....	45
Table 76. Pkg Rx Valid1 (EXT_0xA4).....	45
Table 77. Pkg Rx Os0 (EXT_0xA5).....	46
Table 78. Pkg Rx Os1 (EXT_0xA6).....	46
Table 79. Pkg Rx Us0 (EXT_0xA7).....	46
Table 80. Pkg Rx Us1 (EXT_0xA8).....	46
Table 81. Pkg Rx Err (EXT_0xA9).....	46
Table 82. Pkg Rx Os Bad (EXT_0xAA).....	46
Table 83. Pkg Rx Fragment (EXT_0xAB).....	46
Table 84. Pkg Rx Nosfd (EXT_0xAC).....	47
Table 85. Pkg Tx Valid0 (EXT_0xAD).....	47
Table 86. Pkg Tx Valid1 (EXT_0xAE).....	47
Table 87. Pkg Tx Os0 (EXT_0xAF).....	47
Table 88. Pkg Tx Os1 (EXT_0xB0).....	47
Table 89. Pkg Tx Us0 (EXT_0xB1).....	47
Table 90. Pkg Tx Us1 (EXT_0xB2).....	48
Table 91. Pkg Tx Err (EXT_0xB3).....	48
Table 92. Pkg Tx Os Bad (EXT_0xB4).....	48
Table 93. Pkg Tx Fragment (EXT_0xB5).....	48
Table 94. Pkg Tx Nosfd (EXT_0xB6).....	48
Table 95. Basic Control Register (0x00).....	48
Table 96. Basic Status Register (0x01).....	49
Table 97. Sds Identification Register1 (0x02).....	50
Table 98. Sds Identification Register2 (0x03).....	50
Table 99. Auto-Negotiation Advertisement (0x04).....	50
Table 100. Auto-Negotiation Link Partner Ability (0x05).....	51
Table 101. Auto-Negotiation Expansion Register (0x06).....	51
Table 102. Auto-Negotiation NEXT Page Register (0x07).....	51
Table 103. Auto-Negotiation Link Partner Received NEXT Page Register (0x08).....	51
Table 104. Extended status register (0x0F).....	52
Table 105. Sds Specific Status Register (0x11).....	52
Table 106. 100BASE-FX Cfg (0x14).....	53
Table 107. Receive Err Counter (0x15).....	53
Table 108. Link Fail Counter (0x16).....	53
Table 109. Pkgen Cfg1 (EXT_0x38).....	53
Table 110. Pkgen Cfg3 (EXT_0x3A).....	54
Table 111. Pkg Cfg0 (EXT_0x1A0).....	54
Table 112. Pkg Cfg1 (EXT_0x1A1).....	55
Table 113. Pkg Cfg2 (EXT_0x1A2).....	55
Table 114. Pkg Rx Valid0 (EXT_0x1A3).....	55

Table 115. Pkg Rx Valid1 (EXT_0x1A4)	55
Table 116. Pkg Rx Os0 (EXT_0x1A5).....	55
Table 117. Pkg Rx Os1 (EXT_0x1A6).....	55
Table 118. Pkg Rx Us0 (EXT_0x1A7).....	56
Table 119. Pkg Rx Us1 (EXT_0x1A8).....	56
Table 120. Pkg Rx Err (EXT_0x1A9).....	56
Table 121. Pkg Rx Os Bad (EXT_0x1AA)	56
Table 122. Pkg Rx Fragment (EXT_0x1AB)	56
Table 123. Pkg Rx Nosfd (EXT_0x1AC).....	56
Table 124. Pkg Tx Valid0 (EXT_0x1AD).....	57
Table 125. Pkg Tx Valid1 (EXT_0x1AE).....	57
Table 126. Pkg Tx Os0 (EXT_0x1AF).....	57
Table 127. Pkg Tx Os1 (EXT_0x1B0)	57
Table 128. Pkg Tx Us0 (EXT_0x1B1)	57
Table 129. Pkg Tx Us1 (EXT_0x1B2)	57
Table 130. Pkg Tx Err (EXT_0x1B3)	58
Table 131. Pkg Tx Os Bad (EXT_0x1B4).....	58
Table 132. Pkg Tx Fragment (EXT_0x1B5)	58
Table 133. Pkg Tx Nosfd (EXT_0x1B6).....	58
Table 16. SMI (MDC/MDIO) Interface Characteristics	60
Table 17. Crystal Requirement	60
Table 18. Oscillator/External Clock Requirement.....	60
Table 19. Mechanical Dimensions.....	63
Table 20. Ordering Information.....	64

CONFIDENTIAL

List of Figures

Figure 1. Block Diagram	3
Figure 2. Pin Assignment Diagram.....	4
Figure 3. UTP (UTP<->RGMII / UTP<->SGMII) Application	10
Figure 4. Fiber (FIBER<->RGMII) Application	10
Figure 5. UTP/Fiber to RGMII Application	10
Figure 6. SGMII to RGMII Application	11
Figure 7. Fiber to UTP Application	11
Figure 8. Digital Loopback.....	14
Figure 9. External Loopback	14
Figure 10. Remote PHY Loopback.....	14
Figure 11. Reset Timing Diagram	16
Figure 12. Connection Diagram of RGMII.....	17
Figure 13. SMI (MDC/MDIO) Timing.....	60

Confidential

1. General Description

The YT8531S is a highly integrated Ethernet transceiver that complies with 10BASE-T_e, 100BASE-TX, and 1000BASE-T IEEE 802.3 standards. It provides all the necessary physical layer functions to transmit and receive Ethernet packets over CAT.5E UTP cable.

The YT8531S uses state-of-the-art DSP technology and an Analog Front End (AFE) to enable high-speed data transmission and reception over UTP cable. Functions such as Crossover Detection & Auto-Correction, polarity correction, adaptive equalization, cross-talk cancellation, echo cancellation, timing recovery, and error correction are implemented in the YT8531S to provide robust transmission and reception capabilities at 10Mbps, 100Mbps, or 1000Mbps.

Data transfer between MAC and PHY is via the Reduced Gigabit Media Independent Interface (RGMI_{II}), or Serial Gigabit Media Independent Interface (SGMI_{II}) for 1000BASE-T, 100BASE-TX and 10BASE-T_e. The YT8531S supports various RGMI_{II} signaling voltages, including 3.3V, 2.5V, and 1.8V.

The YT8531S also supports a SerDes interface that can be configured as SGMII, 1000BASE-X or 100BASE-FX. The YT8531S features a Motorcomm proprietary feature called LRE100-4, which enables the device to auto-negotiate and link up with LRE100-4 compliant link partners in extended cable reach applications up to 400 meter at 100Mbps over CAT.5E cable.

1.1. TARGET APPLICATIONS

- DTV (Digital TV)
- MAU (Media Access Unit)
- CNR (Communication and Network Riser)
- Game Console
- Printer and Office Machine
- DVD Player and Recorder
- Ethernet Hub
- Ethernet Switch
- Base Stations and Controllers
- Routers, DSLAMs, PON Equipment
- Test and Measurement Systems
- Industrial and Factory Automation Equipment
- Multimedia synchronization and Real Time Networking
- Any embedded system with an Ethernet MAC that needs a UTP physical connection.

2. Features

- 1000BASE-T IEEE 802.3ab Compliant
- 100BASE-TX IEEE 802.3u Compliant
- 10BASE-Te IEEE 802.3 Compliant
- Support 1000BASE-X / 100BASE-FX
- Support LRE100-4
 - Long Reach Ethernet up to 400 meter @100Mbps by 4-pairs in the CAT.5E UTP cable
- Supports RGMII/SGMII MAC interface
- Supports IEEE 802.3az-2010 (Energy Efficient Ethernet)
 - EEE Buffering
 - Incorporates EEE buffering for seamless support of legacy MACs
- Supports Synchronous Ethernet (Sync-E)
- Built-in Wake-on-LAN (WOL) over UTP/Fiber
- Supports interrupt function over UTP/Fiber
- Supports Parallel Detection
- Crossover Detection & Auto-Correction
- Automatic polarity correction
- Baseline Wander Correction
- Supports 120m for CAT.5E cable in 1000BASE-T
- Selectable 3.3V/2.5V/1.8V signaling for RGMII.
- Supports 25MHz external crystal or OSC
- Provides 125MHz clock source for MAC
- Provides 3 network status LEDs
- Supports Link Down Power Saving (Sleep Mode)
- Industrial grade manufacturing process
- Supports SERDES (SGMII/1000BASE-X)
- Supports Fiber-to-UTP Media Convertor mode or SGMII-to-RGMII Bridge mode
- Supports UTP/Fiber Auto Detection
- Supports 18k bytes jumbo frame when 1000BASE-T and 100BASE-TX, and 10k bytes when 10BASE-Te
- Built-in Switching Regulator for core power 1.1V
- Built-in LDO for RGMII IO power 2.5V/1.8V
- Industrial grade manufacturing process
- Low power consumption < 400mW
- 3.3V and 1.1V power supply
- 48-pin QFN Green Package

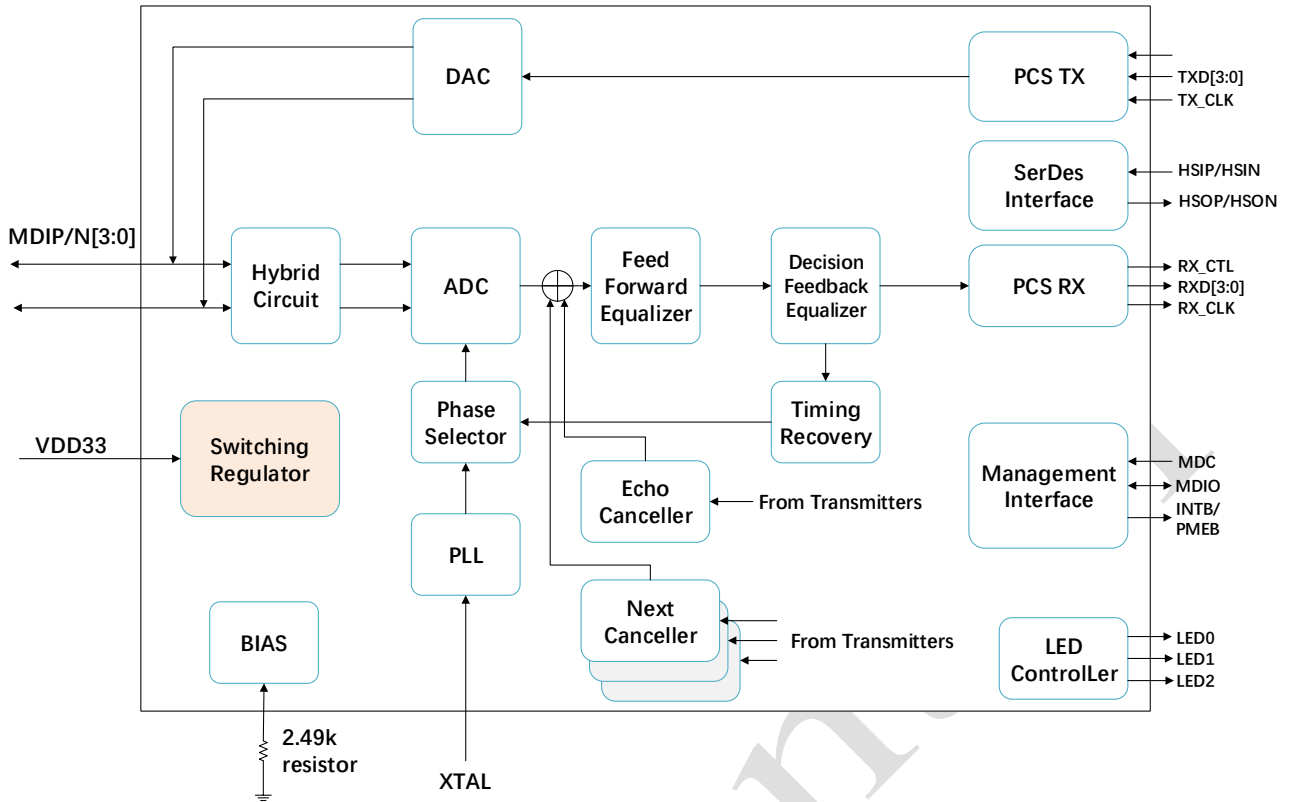
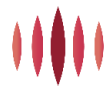


Figure 1. Block Diagram

CONFIDENTIAL

3. Pin Assignment

3.1. YT8531S QFN48 6x6mm

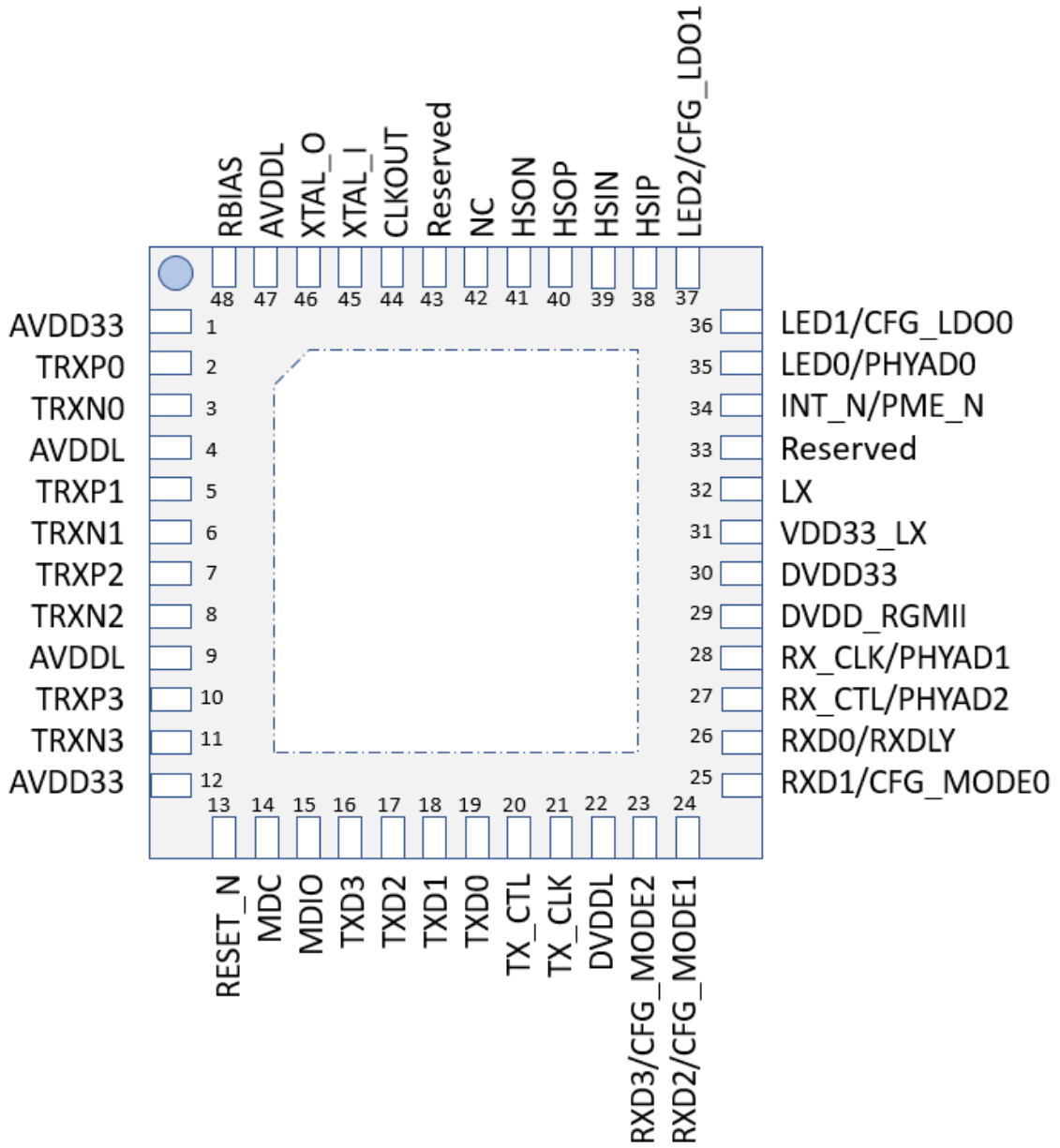


Figure 2. Pin Assignment Diagram

3.2. Pin Descriptions

Some pins have multiple functions.

Refer to the Pin Assignment figures for a graphical representation.

- I: Input
- O: Output
- IO: Bidirectional Input and Output
- LI: Latched Input During Power UP
- P: Power
- PU: Internal pull up
- PD: Internal pull down
- G: Ground
- OD: Open Drain
- XT: Crystal Related

3.3. Pin Assignment

Table 1. Pin Assignment

No.	Pin Name	Type	No.	Pin Name	Type
1	AVDD33	P	26	RXD0/RXDLY	O/LI/PU
2	TRXP0	IO	27	RX_CTL/PHYAD2	O/LI/PD
3	TRXN0	IO	28	RX_CLK/PHYAD1	O/LI/PD
4	AVDDL	P	29	DVDD_RGMII	P
5	TRXP1	IO	30	DVDD33	P
6	TRXN1	IO	31	VDD33_LX	P
7	TRXP2	IO	32	LX	P/O
8	TRXN2	IO	33	Reserved	IO/PD
9	AVDDL	P	34	INT_N/PME_N	O/OD
10	TRXP3	IO	35	LED0/PHYAD0	O/LI/PU
11	TRXN3	IO	36	LED1/CFG_LDO0	O/LI/PU
12	AVDD33	P	37	LED2/CFG_LDO1	O/LI/PD
13	RESET_N	I/PU	38	HSIP	I
14	MDC	I/PD	39	HSIN	I
15	MDIO	IO/PU	40	HSOP	O
16	TXD3	I/PD	41	HSOP	O
17	TXD2	I/PD	42	NC	-
18	TXD1	I/PD	43	Reserved	G
19	TXD0	I/PD	44	CLKOUT	O
20	TX_CTL	I/PD	45	XTAL_I	XT
21	TX_CLK	I/PD	46	XTAL_O	XT
22	DVDDL	P	47	AVDDL	P
23	RXD3/CFG_MODE2	O/LI/PD	48	RBIAS	O
24	RXD2/CFG_MODE1	O/LI/PD	49	GND	G
25	RXD1/CFG_MODE0	O/LI/PD			

3.4. Transceiver Interface

Table 2. Transceiver Interface

No.	Pin Name	Type	Description
2	TRXP0	IO	Media-dependent interface 0, 100Ω transmission line
3	TRXN0	IO	Media-dependent interface 0, 100Ω transmission line
5	TRXP1	IO	Media-dependent interface 1, 100Ω transmission line
6	TRXN1	IO	Media-dependent interface 1, 100Ω transmission line
7	TRXP2	IO	Media-dependent interface 2, 100Ω transmission line
8	TRXN2	IO	Media-dependent interface 2, 100Ω transmission line
10	TRXP3	IO	Media-dependent interface 3, 100Ω transmission line
11	TRXN3	IO	Media-dependent interface 3, 100Ω transmission line

3.5. Clock

Table 3. Clock

No.	Pin Name	Type	Description
44	CLKOUT	O	1. Reference Clock Generated from Internal PLL. This pin should be kept floating if the clock is not used by the MAC. 2. UTP recovery receive clock for Sync Ethernet. 3. Fiber recovery receive clock for Sync Ethernet.
45	XTAL_I	XT	25MHz Crystal Input pin. If use external oscillator or clock from another device. 1. When connect an external 25Hhz oscillator or clock from another device to XTAL_O pin, XTAL_I must be shorted to GND. 2. When connect an external 25Hhz oscillator or clock from another device to XTAL_I pin, keep the XTAL_O floating.
46	XTAL_O	XT	25Mhz Crystal Output pin. If use external oscillator or clock from another device. 1. When connect an external 25Hhz oscillator or clock from another device to XTAL_O pin, XTAL_I must be shorted to GND. 2. When connect an external 25Hhz oscillator or clock from another device to XTAL_I pin, keep the XTAL_O floating.

3.6. RGMII

Table 4. RGMII

No.	Pin Name	Type	Description
16	TXD3	I/PD	Transmit Data. Data is transmitted from MAC to PHY via TXD[3:0].
17	TXD2	I/PD	
18	TXD1	I/PD	
19	TXD0	I/PD	
20	TX_CTL	I/PD	Transmit Control Signal from the MAC.
21	TX_CLK	I/PD	The transmit reference clock will be 125Mhz, 25MHz, or 2.5MHz depending on speed.
23	RXD3	O/LI/PD	Receive Data. Data is transmitted from PHY to MAC via RXD[3:0].
24	RXD2	O/LI/PD	
25	RXD1	O/LI/PD	
26	RXD0	O/LI/PU	
28	RX_CLK	O/LI/PD	The continuous receive reference clock will be 125MHz, 25MHz, or

			2.5MHz, and is derived from the received data stream.
27	RX_CTL	O/LI/PD	Receive Control Signal to the MAC.

3.7. SerDes

Table 5. SerDes

No.	Pin Name	Type	Description
38	HSIP	I	SerDes Differential Input: 1.25GHz serial interfaces to receive data from an External device that supports the SGMII interface. The differential pair has an internal 100 ohm termination resistor.
39	HSIN	I	
40	HSOP	O	SerDes Differential Output: 1.25GHz serial interfaces to transfer data from an External device that supports the SGMII interface. Both HSOP and HSON have an internal 50 ohm termination resistor to AVDDL, which means the differential impedance is 100 ohm.
41	HSON	O	

3.8. Reset

Table 6. Reset

No.	Pin Name	Type	Description
13	RESET_N	I/PU	Hardware reset, active low. Requires an external pull-up resistor

3.9. Mode Selection

Table 7. Mode Selection

No.	Name	Type	Description
35	PHYAD0	O/LI/PU	PHYAD[2:0]. PHY address config
28	PHYAD1	O/LI/PD	
27	PHYAD2	O/LI/PD	
26	RXDLY	O/LI/PU	RGMII receiver clock timing control Pull-up to add 2ns delay on RX_CLK, which shall be used to latch RXD.
36	CFG_LDO0	O/LI/PU	CFG_LDO[1:0], Voltage selection for RGMII I/O pad 2'b00: 3.3V 2'b01: 2.5V 2'b10 or 2'b11: 1.8V
37	CFG_LDO1	O/LI/PD	
25	CFG_MODE0	O/LI/PD	CFG_MODE[2:0]: Operation Mode Configuration. 3'b000: UTP <-> RGMII 3'b001: FIBER <-> RGMII 3'b010: UTP/FIBER <-> RGMII (Media Auto Detection) 3'b011: UTP <-> SGMII 3'b100: SGMII (PHY side) <-> RGMII (MAC side), 3'b101: SGMII (MAC side) <-> RGMII (PHY side) 3'b110: UTP <-> FIBER (Media Conversion auto mode) 3'b111: UTP <-> FIBER (Media Conversion force mode)
24	CFG_MODE1	O/LI/PD	
23	CFG_MODE2	O/LI/PD	

3.10. LED Default Settings

Table 8. LED Default Settings

No.	Pin Name	Type	Description
35	LED0	O/LI/PU	Light = Link up at 10Mbps Blinking = Transiting or Receiving
36	LED1	O/LI/PU	Light = Link up at 100Mbps Blinking = Transiting or Receiving
37	LED2	O/LI/PD	Light = Link up at 1000Mbps Blinking = Transiting or Receiving

3.11. Regulator and Reference

Table 9. Regulator and Reference

No.	Pin Name	Type	Description
48	RBIAS	O	Bias Resistor. An external 2.49 kΩ±1% resistor must be connected between the RBIAS pin and GND
32	LX	P/O	Switch regulator 1.1V output. Connect to an external 2.2 uH power inductor directly

3.12. Power Related

Table 10. Power Related

No.	Pin Name	Type	Description
30	DVDD33	P	3.3V Power Digital non-RGMII I/O power
31	VDD33_LX	P	3.3V power for switching regulator
29	DVDD_RGMII	P	Digital RGMII I/O, MDC/MDIO power, adjusted by CFG_LDO[1:0]. <i>Note: When CFG_LDO[1:0] = 00, the I/O pad power is supplied from the external 3.3V power connected to DVDD_RGMII pin. Otherwise, it is supplied from the internal LDO.</i> <i>No matter whether the I/O pad power form external or internal, a bulk capacitor and a decoupling capacitor should be connected to this pin.</i>
22	DVDDL	P	Digital power 1.1V
1, 12	AVDD33	P	Analog Power 3.3V
4, 9, 47	AVDDL	P	Analog power 1.1V
49	GND	G	Exposed PAD

3.13. Management

Table 11. Management

No.	Pin Name	Type	Description
14	MDC	I/PD	Management Data Clock.
15	MDIO	IO/PU	Input/Output of Management Data. Pull up 3.3V/2.5V/1.8V for 3.3V/2.5V/1.8V I/O respectively
34	INT_N/PME_N	O/OD	This pin is shared by two functions, the default pin setting is INT_N. Keep this pin floating if either of the functions is not used. The pin type depends on function selected:

			<p>1. Interrupt (should be 3.3V pulled up). Set low if the specified events occurred; active low.</p> <p>2. Power Management Event (should be 3.3V pulled up). Set low if received a magic packet; active low.</p> <p><i>Note 1: The behavior of INT_N is level-triggered, the behavior of PME_N is level-triggered or pulse-triggered which is controlled by EXT 0xA00A bit[0].</i></p> <p><i>Note 2: The function of INT_N/PME_N can be assigned by Ext 0xa00a bit[6].</i></p> <p><i>1: Pin 34 functions as PME_N.</i></p> <p><i>0: Pin 34 functions as INT_N (default).</i></p>
--	--	--	--

3.14. Miscellaneous Pins

Table 12. Miscellaneous Pins

No.	Pin Name	Type	Description
33	Reserved	IO/PD	Reserved for internal use. Keep floating or external pull down. Should not external pull up.
42	NC	-	NC, keep floating or connect to GND
43	Reserved	G	Keep floating or connect to GND. Should not connect to VDD or be pulled up.

4. Function Description

4.1. Application Diagram

4.1.1. UTP (UTP<->RGMII / UTP<->SGMII) Application

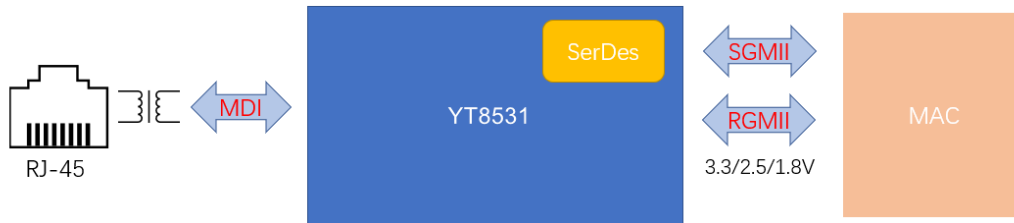


Figure 3. UTP (UTP<->RGMII / UTP<->SGMII) Application

4.1.2. Fiber (FIBER<->RGMII) Application

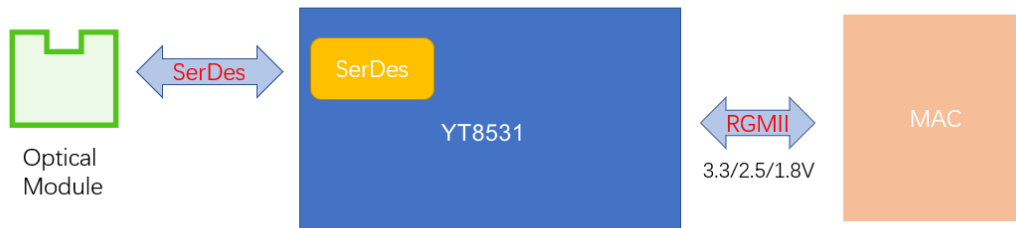


Figure 4. Fiber (FIBER<->RGMII) Application

4.1.3. UTP/Fiber to RGMII (UTP/FIBER Media Auto Detection RGMII) Application

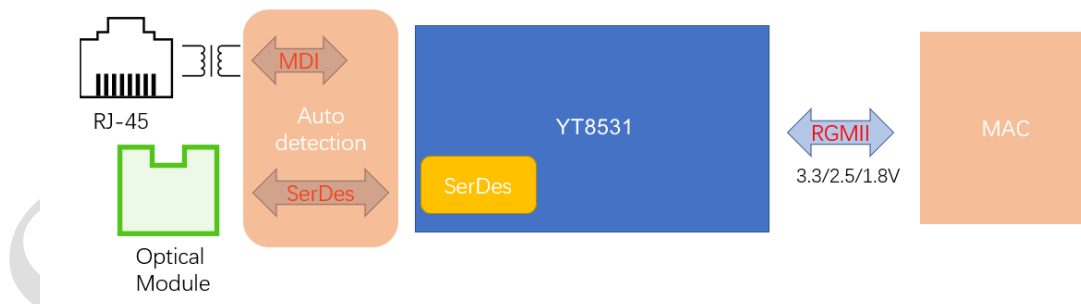


Figure 5. UTP/Fiber to RGMII Application

4.1.4. SGMII to RGMII (SGMII <->RGMII Bridge Mode) Application

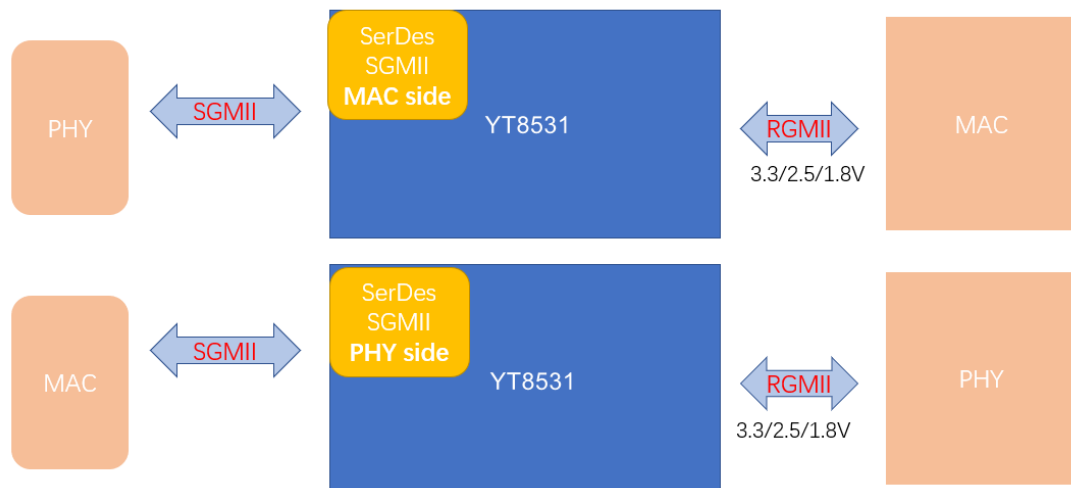


Figure 6. SGMII to RGMII Application

4.1.5. Fiber to UTP (UTP<->FIBER Media Converter) Application

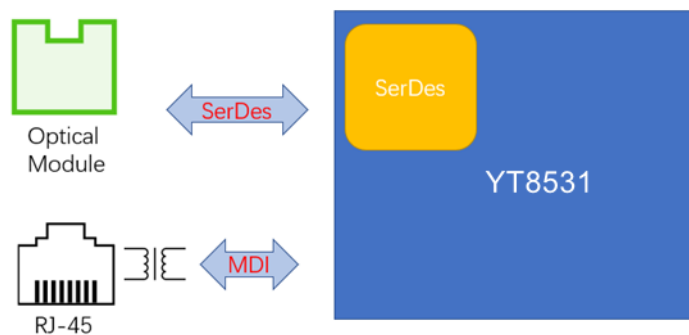


Figure 7. Fiber to UTP Application

There are two modes for Fiber applications. Media Conversion auto mode and Media Conversion force mode.

In Media Conversion auto mode, SerDes can choose speed automatically between 1000BASE-X and 100BASE-FX based on signal received and type of fiber module. Then UTP will choose the speed which is matched with SerDes automatically.

In Media Conversion force mode, UTP only has 1000BASE-T ability and SerDes is configured as 1000BASE-X by default. To manually choose UTP speed, please configure UTP MII register 0x4 and 0x9. To manually choose SerDes speed, please configure common EXT_Reg_0xA006 bit[0].

In FIBER <-> RGMII, UTP/FIBER to RGMII and UTP <->FIBER (Media Conversion auto mode) mode, fiber works in Media Conversion auto mode. In UTP <->FIBER (Media Conversion force mode) mode, fiber works in Media Conversion force mode.

4.2. Transmit Functions

4.2.1. Transmit Encoder Modes

4.2.1.1. 1000BASE-T

In 1000BASE-T mode, the YT8531S scrambles transmit data bytes from the MAC interfaces to 9-bit symbols and encodes them into 4D five-level PAM signals over the four pairs of CAT.5E UTP cable.

4.2.1.2. 100BASE-TX

In 100BASE-TX mode, 4-bit data from the MII is 4B/5B serialized, scrambled, and encoded to a three-level MLT3 sequence transmitted by the PMA.

4.2.1.3. 10BASE-Te

In 10BASE-Te mode, the YT8531S transmits and receives Manchester-encoded data.

4.3. Receive Functions

4.3.1. Receive Decoder Modes

4.3.1.1. 1000BASE-T

In 1000BASE-T mode, the PMA recovers the 4D PAM signals after accounting for the cabling conditions such as skew among the four pairs, the pair swap order, and the polarity of the pairs. The resulting code group is decoded into 8-bit data values. Data stream delimiters are translated appropriately and data is output to the MAC interfaces.

4.3.1.2. 100BASE-TX

In 100BASE-TX mode, the receive data stream is recovered and descrambled to align to the symbol boundaries. The aligned data is then parallelized and 5B/4B decoded to 4-bit data. This output runs to MAC interfaces after data stream delimiters have been translated.

4.3.1.3. 10BASE-Te

In 10BASE-Te mode, the recovered 10BASE-Te signal is decoded from Manchester then aligned.

4.4. LRE100-4

YT8531S supports a Motorcomm proprietary feature called LRE100-4, the long reach Ethernet application up to 400m at 100Mbps data rate by 4-pairs in the CAT.5E UTP cable.

4.5. Echo Canceller

A hybrid circuit is used to transmit and receive simultaneously on each pair. A signal reflects back as an echo if the transmitter is not perfectly matched to the line. Other connector or cable imperfections, such as patch panel discontinuity and variations in cable impedance along the twisted pair cable, also result in drastic SNR degradation on the receive signal. The YT8531S device implements a digital echo canceller to adjust for echo and is adaptive to compensate for the varied channel conditions.

4.6. NEXT Canceller

The 1000BASE-T physical layer uses all four pairs of wires to transmit data. Because the four twisted pairs are bundled together, significant high frequency crosstalk occurs between adjacent pairs in the bundle. The YT8531S device uses three parallel NEXT cancellers on each receive channel to cancel high frequency crosstalk. The YT8531S cancels NEXT by subtracting an estimate of these signals from the equalizer output.

4.7. Baseline Wander Canceller

Baseline wander results from Ethernet links that AC-couple to the transceivers and from AC coupling that cannot maintain voltage levels for longer than a short time. As a result, transmitted pulses are distorted, resulting in erroneous sampled values for affected pulses. Baseline wander is more problematic in the 1000BASE-T environment than in 100BASE-TX due to the DC baseline shift in the transmit and receive signals. The YT8531S device uses an advanced baseline wander cancellation circuit that continuously monitors and compensates for this effect, minimizing the impact of DC baseline shift on the overall error rate.

4.8. Digital Adaptive Equalizer

The digital adaptive equalizer removes inter- symbol interference at the receiver. The digital adaptive equalizer takes unequalized signals from ADC output and uses a combination of feedforward equalizer (FFE) and decision feedback equalizer (DFE) for the best optimized signal-to-noise (SNR) ratio.

4.9. Management Interface

The Status and Control registers of the device are accessible through the MDIO and MDC serial interface. The functional and electrical properties of this management interface comply with IEEE 802.3, Section 22 and also support MDC clock rates up to 12.5 MHz.

4.10. Auto-Negotiation

The YT8531S negotiates its operation mode using the auto negotiation mechanism according to IEEE 802.3 clause 28 over the copper media. Auto negotiation supports choosing the mode of operation automatically by comparing its own abilities and received abilities from link partner. The advertised abilities include:

- Speed: 10/100/1000Mbps
- Duplex mode: full duplex and/or half duplex

Auto negotiation is initialized when the following scenarios happen:

- Power-up/Hardware/Software reset
- Auto negotiation restart
- Transition from power-down to power up
- Link down

Auto negotiation is enabled for YT8531S by default, and can be disabled by software control.

4.11. LDS (Link Discover Signaling)

YT8531S supports long range ethernet (LRE), which uses link discover signaling (LDS) instead of auto negotiation since the extended cable reach attenuates the auto negotiation link pulses. LDS is an extended reach signaling scheme and protocol, which is used to:

- Master/Slave assignment
- Estimate cable length
- Confirm pair number and pair connectivity ordering
- Choose highest common operation mode

IEEE-compliant PHYs will ignore LDS signal since its frequency is less than 2MHz according to IEEE802.3 clause 14. If the link partner is an IEEE legacy ethernet PHY, YT8531S can detect the standard NLP, FLP, or MLT-3 IDLE signal, and then transits LDS mode into Clause 28 auto negotiation mode.

Forcing pair number and speed mode is also supported. The same forcing must be done at both ends of the link. By default the LDS is disabled, and should be enabled before using this feature.

4.12. Polarity Detection and Auto Correction

YT8531S can detect and correct two types of cable errors: swapping of pairs within the UTP cable (swapping between pair 0 and pair 1, and(or) swapping between pair 2 and pair 3) and swapping of wires within a pair.

4.13. Loopback Mode

There are three loopback modes in YT8531S

4.13.1. Digital Loopback

Digital loopback provides the ability to loop transmitted data back to the receiver using digital circuitry in YT8531S.

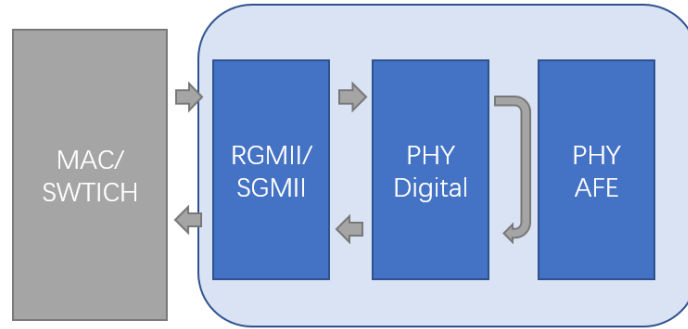


Figure 8. Digital Loopback

4.13.2. External loopback

External cable loopback loops Tx to Rx through a complete digital and analog path and an external cable, thus testing all the digital data paths and all the analog circuits. Figure shows a block diagram of external cable loopback.

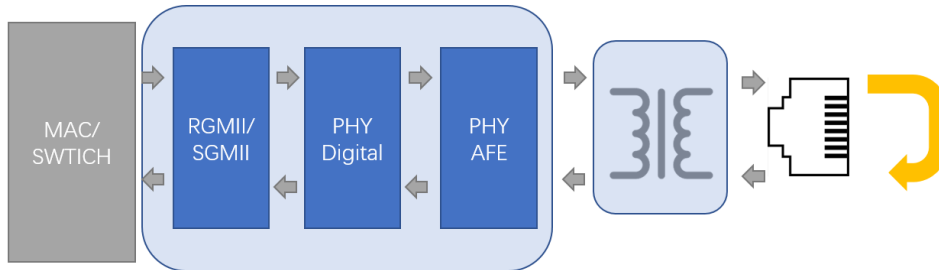


Figure 9. External Loopback

4.13.3. Remote PHY loopback

The Remote loopback connects the MDI receive path to the MDI transmit path, near the RGMII interface, thus the remote link partner can detect the connectivity in the resulting loop. Figure below, shows the path of the remote loopback.

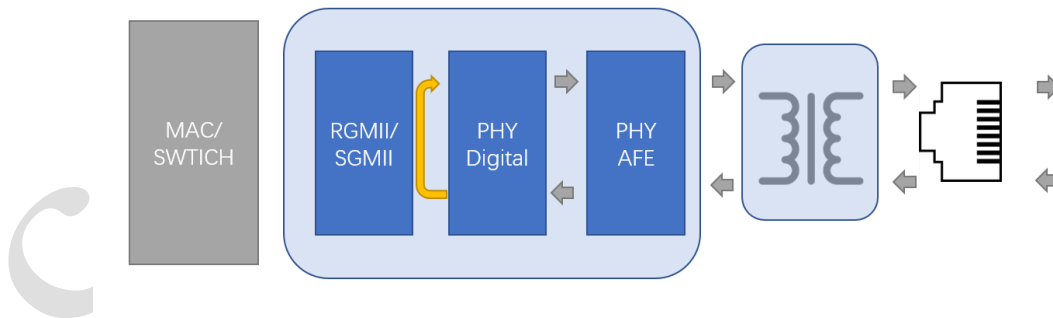


Figure 10. Remote PHY Loopback

4.14. Energy Efficient Ethernet (EEE)

EEE is IEEE 802.3az, an extension of the IEEE 802.3 standard. EEE defines support for the PHY to operate in Low Power Idle (LPI) mode which, when enabled, supports QUIET times during low link utilization allowing both link partners to disable portions of each PHY's circuitry and save power.

YT8531S also helps legacy MAC without EEE ability to work as a complete EEE power saving system.

4.15. Synchronous Ethernet (Sync-E)

YT8531S provides Synchronous Ethernet (Sync-E) support when the device is operating in 1000BASE-T, 100BASE-TX, 1000BASE-X and 100BASE-FX on the transmission media. The CLKOUT pin can be assigned to output the recovered clock.

The recovery clock for Sync-E can be either a 125MHz or 25MHz clock.

When the PHY is in SLAVE mode, the CLKOUT will output the recovered clock from the MDI. If the device is in MASTER mode, the CLKOUT will output the clock based on the local free run PLL.

4.16. Wake-On-LAN (WOL)

Wake-on-LAN (WOL) is a mechanism to manage and regulate the total network power consumption. YT8531S supports automatic detection of a specific frame and notification via dedicated hardware interrupt pin. The specific frame contains a specific data sequence located anywhere inside the packet. The data sequence consists of 6 bytes of consecutive 1 (0xFFFFFFFF), followed by 16 repetitions of the MAC address of the computer to be waked up. The 48-bit MAC address can be set in *MAC_Address_Cfg1~3* common registers.

4.17. Link Down Power Saving (Sleep Mode)

YT8531S supports link down power saving, also called sleep mode. When UTP port link down and no signals over UTP cable for 40 seconds, YT8531S will enter sleep mode.

For most of time in sleep mode, YT8531S will disable almost all the circuits except crystal clock and comparators for channel 0/1 of 10BASE-Te. Access by MDC/MDIO interface is available.

At a time interval in sleep mode, YT8531S will wake to transmit signals over TRXP1/TRXN1. The time interval is a random value around 2.7s.

Once detect signals over UTP cable, YT8531S will exit sleep mode.

4.18. Interrupt

YT8531S provides an active low interrupt output pin (INT_N) based on change of the PHY status. Every interrupt condition is represented by the read-only general interrupt status register (section 6.2.18. Interrupt Status Register (UTP MII register 0x13)).

The interrupts can be individually enable or disable by setting or clearing bits in the interrupt enable register (section 6.2.17. Interrupt Mask Register (UTP MII register 0x12)).

Note 1: The interrupt of the YT8531S is a level-triggered mechanism.

Note 2: The INT_N and PME_N functions share the same pin (pin 34). Refer to section 5.5. INT_N/PME_N Pin Usage.

5. Operational Description

5.1. Reset

YT8531S have a hardware reset pin(RESET_N) which is low active. RESET_N should be active for at least 10ms to make sure all internal logic is reset to a known state. Hardware reset should be applied after power up. RESET_N is also used for power on strapping. After RESET_N is released, YT8531S latches input value on strapping pins which are used as configuration information to provide flexibility in application without mdio access.

YT8531S also provides three software reset control registers. Two of them are used to reset all UTP internal logic except some mdio configuration registers, by setting bit 15 of UTP mii register (address 0x0) or LDS mii register (address 0x0). And the third is used to reset all SerDes internal logic except CDR and some mdio configuration registers, by setting bit15 of SerDes mii register(address 0x0) to 1. These three bits are self-clear after reset process is done. For detailed information about what register will be reset by software reset, please refer to register table.

Table 13. Reset Timing Characteristics

Symbol	Description	Min	Typ	Max	Units
T1	The duration from all powers steady to reset signal release to high	10	-	-	ms
T2	The duration of reset signal remain low timing	10	-	-	ms

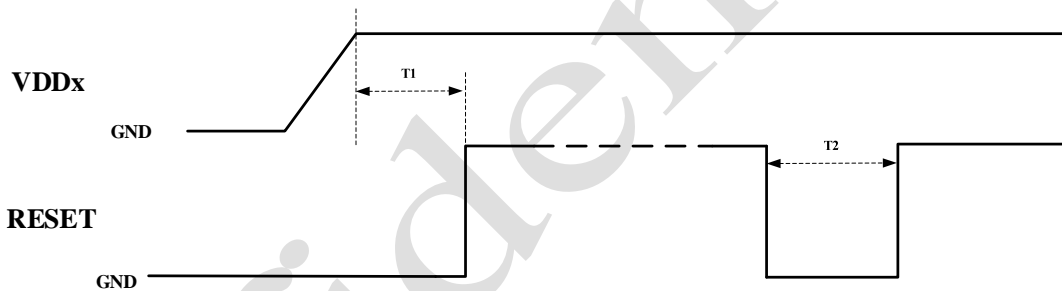


Figure 11. Reset Timing Diagram

5.2. PHY Address

For YT8531S, Strapping PHYAD[2:0] is used to generate phy address.

YT8531S always responses to phy address 0. It can be disabled by configure bit[6] to 1'b0 of extended register(address 0xa005). It also has another broadcast phy address which is configurable through mdio. Bit[4:0] of extended register(address 0xa005) is broadcast phy address and its default value is 5'b11111. Bit[5] of extended register(address 0xa005) is enable control for broadcast phy address and its default value is 1'b0.

5.3. RGMII Interface

Reduced gigabit media independent interface is a subset of GMII which is used for gigabit Ethernet. For 100M/10M application, RGMII is similar to MII. The only difference is that tx_er/rx_er is transmitted by TX_CTL/RX_CTL on the falling edge of clock. TXD[3:0] and RXD[3:0] will be duplicated on both rising and falling edge of clock.

For 100M application, TX_CLK and RX_CLK are 25MHz.

For 10M application, TX_CLK and RX_CLK are 2.5MHz.

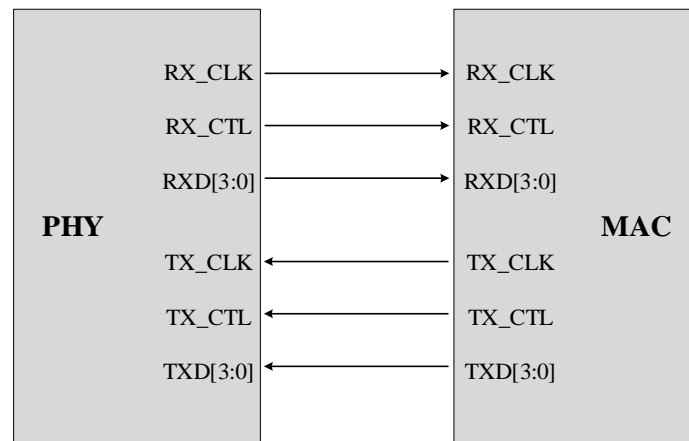


Figure 12. Connection Diagram of RGMII

5.4. LED

The LED interface can either be controlled by the PHY or controlled manually, independent of the state of the PHY. Three status LEDs are available. These can be used to indicate operation speed, duplex mode, and link status. The LEDs can be programmed to different status functions from their default value. They can also be controlled directly from the register interface.

5.5. INT_N/PME_N Pin Usage

The INT_N/PME_N pin (pin 34) is designed to notify both interrupt and WOL events. The default mode of this pin is INT_N (Ext_0xa00a, bit[6]=0). For general use, indication of a WOL event is also integrated into one of the interrupt events which is triggered when any specified WOL event occurs. However, the ‘Pulse Low’ waveform format is not supported during this mode; only the Active Low, level-triggered waveform is provided. If PME_N mode is selected (Ext_0xa00a, bit[6]=1), pin 34 becomes a fully functional PME_N pin. Note that the interrupt function is disabled in this mode.

5.6. Power Supplies

The YT8531S device requires only one external power supply: 3.3 V. Inside the chip there is a 3.3V rail, 1.1V rail, 2.5V or 1.8V rail.

5.6.1. Internal Switch Regulator

YT8531S integrates a switch regulator which converts 3.3V to 1.1V at a high-efficiency for core power rail. It is optional for an external regulator to provide this core voltage.

5.6.2. Internal LDO

YT8531S also integrates a LDO which converts 3.3V to 2.5V or 1.8V for RGMII I/O power rail and configured by CFG_LDO[1:0].

Table 14. CFG_LDO[1:0] Configuration

Configuration	Description
2'b01	LDO is set to 2.5V
2'b10 or 2'b11	LDO is set to 1.8V
2'b00	Use external 3.3V to supply to DVDD_RGMII pin. LDO is disabled

6. Register Overview

Table 15. Register Access Types

Type	Description
RW	Read and write
SC	Self-clear. If default value is '0' ('1'), writing a '1' ('0') to this register field causes the function to be activated immediately, and then the field will be automatically cleared to '0' ('1').
RO	Read only.
LH	Latch high.
LL	Latch Low.
RC	Read clear.
SWC	Software reset to 0.
SWS	Software reset to 1.
POS	Default value depends on power on strapping.

6.1. Common Register

6.1.1. SMI_SDS_PHY (EXT_0xA000)

Table 16. SMI_SDS_PHY (EXT_0xA000)

Bit	Symbol	Access	Default	Description
15:2	Reserved	RO	0x0	Reserved
1	Smi_sds_phy	RW POS	0x0	to control access whether UTP register or SDS register. 1 to access SDS; 0 to access UTP. Default value depend on chip mode. When the UTP port exists, default 0; else default 1. Refer AP note for details.
0	Reserved	RO	0x0	Reserved

6.1.2. Chip_Config (EXT_0xA001)

Table 17. Chip_Config (EXT_0xA001)

Bit	Symbol	Access	Default	Description
15	Sw_rst_n_mode	RW SC	0x1	A whole chip software reset, it will also be asserted when chip mode changed, low active, self clear
14:12	Reserved	RO	0x0	Reserved
11	Iddq_mode	RW	0x0	Iddq test mode
10:9	Reserved	RO	0x0	Reserved
8	Rxc_dly_en	RW POS	0x1	rgmii clk 2ns delay control, depends on strapping
7	Reserved	RO	0x0	Reserved
6	En_ldo	RW	0x1	rgmii ldo enable, default is 0 and will be set to 1 after power on strapping is done
5:4	Cfg_ldo	RW POS	0x0	Rgmii ldo voltage control. Depends on strapping. 2'b11: 1.8v 2'b10: 1.8v

				2'b01: 2.5v 2'b00: 3.3v
3	Reserved	RO	0x0	Reserved
2:0	Mode_sel	RW POS	0x0	chip mode, depend on strapping. 3'b000: UTP_TO_RGMII; 3'b001: FIBER_TO_RGMII; 3'b010: UTP_FIBER_TO_RGMII; 3'b011: UTP_TO_SGMII; 3'b100: SGPHY_TO_RGMAC; 3'b101: SGMAC_TO_RGPHY; 3'b110: UTP_TO_FIBER_AUTO; 3'b111: UTP_TO_FIBER_FORCE.

6.1.3. SDS_Config (EXT_0xA002)

Table 18. SDS_Config (EXT_0xA002)

Bit	Symbol	Access	Default	Description
15:13	Reserved	RO	0x0	Reserved
12	En_surppress_txer	RW	0x1	1: to suppress the RX_ER generated by the serdes when it works in SGMII PHY full duplex mode and RX_DV is 0 and rx_lpi_active is 0; 0: to not suppress.
11	Reserved	RW	0x1	Reserved
10:8	Reserved	RO	0x0	Reserved
7:0	Reserved	RW	0x80	Reserved

6.1.4. RGMII_Config1 (EXT_0xA003)

Table 19. RGMII_Config1 (EXT_0xA003)

Bit	Symbol	Access	Default	Description
15	Rgmac_cfg_mode	RW	0x0	When chip mode is SGPHY_TO_RGMAC, it controls the source of the RGMII's speed, duplex and link status. These information will be sent to the SGMII PHY. 1: RGMII's speed, deplex, link status information comes from EXT 0xA004; 0: these information comes from RGMII OOB. Refer EXT 0xA005 for detail.
14	Tx_clk_sel	RW	0x0	0: use original RGMII TX_CLK to drive the RGMII TX_CLK delay train; 1: use inverted RGMII TX_CLK to drive the RGMII TX_CLK delay train. Used for debug
13:10	Rx_delay_sel	RW	0x0	RGMII RX_CLK delay train configuration, about 150ps per step
9	En_rgmii_fd_crs	RW	0x0	See EXT 0xA003 bit[8].
8	En_rgmii_crs	RW	0x0	0: to not encode GMII/MII CRS into RGMII OOB; 1: to encode GMII/MII CRS into RGMII OOB when it's half duplex mode or EXT 0xA003 bit[9] is 1.

7:4	Tx_delay_sel_fe	RW	0xf	RGMIITX_CLK delay train configuration when speed is 100Mbps or 10Mbps, it's 150ps per step typically.
3:0	Tx_delay_sel	RW	0x1	RGMIITX_CLK delay train configuration when speed is 1000Mbps, it's 150ps per step typically.

6.1.5. RGMII_Config2 (EXT_0xA004)

Table 20. RGMII_Config2 (EXT_0xA004)

Bit	Symbol	Access	Default	Description
15:14	Speed_rgphy	RO	0x0	RGMIIT's speed information when it works as RGMII PHY. It's also the source of RGMII OOB.
13	Duplex_rgphy	RO	0x0	RGMIIT's duplex information when it works as RGMII PHY. It's also the source of RGMII OOB.
12	Link_up_rgphy	RO	0x0	RGMIIT's linkup information when it works as RGMII PHY. It's also the source of RGMII OOB.
11:10	Pause_rgphy	RO	0x0	RGMIIT's pause information when it works as RGMII PHY.
9	Eee_cap_rgphy	RO	0x0	RGMIIT's EEE capability information when it works as RGMII PHY.
8	Eee_clkstp_cap_rgphy	RO	0x0	RGMIIT's EEE clock stopable capability information when it works as RGMII PHY.
7:6	Speed_rgmact	RW	0x0	RGMIIT's speed configuration when it works as RGMII MAC and EXT A003 bit[15] is 1.
5	Duplex_rgmact	RW	0x0	RGMIIT's duplex configuration when it works as RGMII MAC and EXT A003 bit[15] is 1.
4	Link_up_rgmact	RW	0x0	RGMIIT's linkup configuration when it works as RGMII MAC and EXT A003 bit[15] is 1.
3:2	Pause_rgmact	RW	0x0	RGMIIT's pause configuration when it works as RGMII MAC.
1	Eee_cap_rgmact	RW	0x0	RGMIIT's EEE capability configuration when it works as RGMII MAC.
0	Eee_clkstp_cap_rgmact	RW	0x0	RGMIIT's EEE clock stopable capability configuration when it works as RGMII MAC.

6.1.6. MDIO_Cfg_And_RGMII_OOB_Mon (EXT_0xA005)

Table 21. MDIO_Cfg_And_RGMII_OOB_Mon (EXT_0xA005)

Bit	Symbol	Access	Default	Description
15:14	Speed_rgmact_ob	RO	0x0	speed information RGMII MAC decodes from the OOB
13	Duplex_rgmact_ob	RO	0x0	duplex information RGMII MAC decodes from the OOB
12	Link_up_rgmact_ob	RO	0x0	linkup information RGMII MAC decodes from the OOB
11	Reserved	RO	0x0	Reserved
10	Bypass_mdio_watchdog	RW	0x0	bypass mdio watch dog
9:8	Reserved	RO	0x0	Reserved

7	En_mdc_la	RW	0x1	enable mdc latch for read data
6	En_phyaddr0	RW	0x1	1: to always respond to MDIO command whose PHYAD field is 0; 0: to only respond to MDIO command whose PHYAD field equals to PHY address strapping.
5	En_bdcst_addr	RW	0x0	enable broadcast address
4:0	Bdcst_addr	RW	0x0	broadcast address

6.1.7. Misc_Config (EXT_0xA006)

Table 22. Misc_Config (EXT_0xA006)

Bit	Symbol	Access	Default	Description
15:12	Clk_out_sel	RW	0x0	select debug clock output to pin RX_CLK
11	En_dbg_data_todac	RW	0x0	output adc data to dac for debug
10	En_output_clk	RW	0x0	enable debug clock output to pin RX_CLK
9	Reserved	RW	0x0	Reserved
8	Fiber_high_pri_cmb	RW	0x0	1=fiber has higher priority in UTP_FIBER_TO_RGMII mode, else UTP has higher priority
7	Jumbo_enable	RW	0x0	enable jumbo frame
6	Rem_lpbk_sds	RW	0x0	set remote loopback for SDS
5	Rem_lpbk_phy	RW	0x0	set remote loopback for UTP
4	Uldata_rloopback	RW	0x0	1=remain upload data when rem lpbk is set for phy or sds
3	Bp_gmii_fatal_rst	RW	0x1	bypass gmii fifo overflow and underflow rst
2:1	Comb_wait_timer_sel	RW	0x2	select wait timer for first priority media after second priority media is link up; 2'b00: 1s; 2'b01: 5s; 2'b10: 15s; 2'b11: 25s
0	Fib_speed_sel	RW	0x1	Select fiber speed when auto sensing is disable; 1: 1000BX; 0: 100FX

6.1.8. MAC_Address_Cfg1 (EXT_0xA007)

Table 23. MAC_Address_Cfg1 (EXT_0xA007)

Bit	Symbol	Access	Default	Description
15:0	mac_addr_loc_47_32	RW	0x0	highest 16 bits of MAC address used for WOL

6.1.9. MAC_Address_Cfg2 (EXT_0xA008)

Table 24. MAC_Address_Cfg2 (EXT_0xA008)

Bit	Symbol	Access	Default	Description
15:0	mac_addr_loc_31_16	RW	0x0	middle 16 bits of MAC address used for WOL

6.1.10. MAC_Address_Cfg3 (EXT_0xA009)

Table 25. MAC_Address_Cfg3 (EXT_0xA009)

Bit	Symbol	Access	Default	Description
15:0	mac_addr_loc_15_0	RW	0x0	lowest 16 bits of MAC address used for WOL

6.1.11. WOL_Cfg (EXT_0xA00A)

Table 26. WOL_Cfg (EXT_0xA00A)

Bit	Symbol	Access	Default	Description
15:7	Reserved	RO	0x0	Reserved
6	Pmeb_intb_sel	RW	0x0	1: Pin 34 functions as PME_N. 0: Pin 34 functions as INT_N.
5	Wol_src_manual	RW	0x0	1: control manually the source of the WOL event comes from which media; 0: the source of the WOL event is controlled automatically by chip mode: when UTP is present, it comes UTP; otherwise, it comes from SDS.
4	Wol_src_sel	RW	0x0	It's valid when EXT_0xA00A bit[5] is 1. 1: WOL event comes from SDS; 0: WOL event comes from UTP.
3	Wol_en	RW	0x0	enable WOL.
2:0	Wol_lth_sel	RW	0x2	wol_lth_sel[0], 1: PME_N is level triggerd and active LOW; When PME_N is LOW, EXT 0xA00A bit3 wol_en should be set to 0 to clear the PME_N. 0: PME_N is pulse triggered and active LOW, the pusel width is controlled by wol_lth_sel[2:1]. Wol_lth_sel[2:1]: 00: 84ms; 01: 168ms; 10: 336ms; 11: 672ms.

6.1.12. LED_GENERAL_CFG (EXT_0xA00B)

Table 27. LED_GENERAL_CFG (EXT_0xA00B)

Bit	Symbol	Access	Default	Description
15	Col_blk_sel	RW	0x1	1 = when collision happens, and related LEDn cfg (n is 0/1/2) register's bit3 led_col_blk_en is 1, LED blink at Blink Mode2; 0 = when collision happens, and related LEDn cfg (n is 0/1/2) register's bit3 led_col_blk_en is 0, LED blink at Blink Mode1. LED could blinks at different frequency in Blink Mode1 and Blink Mode2. Refer to EXT A00F[3:0] for the Blink Mode2 and Blink Mode1.
14	Jabber_led_dis	RW	0x1	1 = when 10Mb/s Jabber happens, LED will not blink;
13	Lpbk_led_dis	RW	0x1	1 = In internal loopback mode, LED will not blink;
12	Dis_led_an_try	RW	0x0	1: LED will be ON when auto-negotiation is at

				LINK_GOOD_CHECK status, in which status, the link is not up already.
11:9	Reserved	RO	0x0	Reserved
8	Led_2_force_en	RW	0x0	1 = enable LED2 force mode.
7:6	Led_2_force_mode	RW	0x0	Valid when bit8 is set. 00: force LED OFF; 01: force LED ON; 10: force LED Blink at Blink Mode2; 11: force LED Blink at Blink Mode1. LED could blinks at different frequency in Blink Mode1 and Blink Mode2. Refer to EXT A00F[3:0] for the Blink Mode2 and Blink Mode1.
5	Led_1_force_en	RW	0x0	1 = enable LED1 force mode.
4:3	Led_1_force_mode	RW	0x0	Valid when bit5 is set. Refer EXT A00B[7:6] for the force mode description.
2	Led_0_force_en	RW	0x0	1 = enable LED0 force mode.
1:0	Led_0_force_mode	RW	0x0	Valid when bit2 is set. Refer EXT A00B[7:6] for the force mode description.

6.1.13. LED0_CFG (EXT_0xA00C)

Table 28. LED0_CFG (EXT_0xA00C)

Bit	Symbol	Access	Default	Description
15:14	Led_src_sel_0	RW POS	0x0	select the source of internal signals controlling LED0. 2'b00: UTP 2'b01: serdes 2'b10: UTP and serdes 2'b11: UTP or serdes Default value of LED0 cfg depends on the strapping of chip mode.
13	Led_act_blk_ind_0	RW POS	0x0	When traffic is present, make LED0 BLINK no matter the previous LED0 status is ON or OFF, or make LED0 blink only when the previous LED0 is ON.
12	Led_fdx_on_en_0	RW POS	0x0	1: If BLINK status is not activated, when PHY link up and duplex mode is full duplex, LED0 will be ON.
11	Led_hdx_on_en_0	RW POS	0x0	1: If BLINK status is not activated, when PHY link up and duplex mode is half duplex, LED0 will be ON.
10	Led_txact_blk_en_0	RW POS	0x1	1: If bit[13] is 1, or bit[13] is 0 and ON at certain speed or duplex more is/are activated, when PHY link up and TX is active, make LED0 blink at mode2.
9	Led_rxact_blk_en_0	RW POS	0x1	1: If bit[13] is 1, or bit[13] is 0 and ON at certain speed or duplex more is/are activated, when PHY link up and RX is active, make LED0 blink at mode2.
8	Led_txact_on_en_0	RW POS	0x0	1: if BLINK status is not activated, when PHY link up and TX is active, make LED0 ON at least

				10ms.
7	Led_rxact_on_en_0	RW POS	0x0	1: if BLINK status is not activated, when PHY link up and RX is active, make LED0 ON at least 10ms.
6	Led_gt_on_en_0	RW POS	0x0	1: if BLINK status is not activated, when PHY link up and speed mode is 1000Mbps, make LED0 ON.
5	Led_ht_on_en_0	RW POS	0x0	1: if BLINK status is not activated, when PHY link up and speed mode is 100Mbps, make LED0 ON;
4	Led_bt_on_en_0	RW POS	0x1	1: if BLINK status is not activated, when PHY link up and speed mode is 10Mbps, make LED0 ON;
3	Led_col_blk_en_0	RW POS	0x0	1: if PHY link up and collision happen, make LED0 BLINK;
2	Led_gt_blk_en_0	RW POS	0x0	1: if PHY link up and speed mode is 1000Mbps, make LED0 BLINK;
1	Led_ht_blk_en_0	RW POS	0x0	1: if PHY link up and speed mode is 100Mbps, make LED0 BLINK;
0	Led_bt_blk_en_0	RW POS	0x0	1: if PHY link up and speed mode is 10Mbps, make LED0 BLINK;

6.1.14. LED1_CFG (EXT_0xA00D)

Table 29. LED1_CFG (EXT_0xA00D)

Bit	Symbol	Access	Default	Description
15:14	Led_src_sel_1	RW POS	0x0	Same logic as LED0 control.
13	Led_act_blk_ind_1	RW POS	0x0	Same logic as LED0 control.
12	Led_fdx_on_en_1	RW POS	0x0	Same logic as LED0 control.
11	Led_hdx_on_en_1	RW POS	0x0	Same logic as LED0 control.
10	Led_txact_blk_en_1	RW POS	0x1	Same logic as LED0 control.
9	Led_rxact_blk_en_1	RW POS	0x1	Same logic as LED0 control.
8	Led_txact_on_en_1	RW POS	0x0	Same logic as LED0 control.
7	Led_rxact_on_en_1	RW POS	0x0	Same logic as LED0 control.
6	Led_gt_on_en_1	RW POS	0x0	Same logic as LED0 control.
5	Led_ht_on_en_1	RW POS	0x1	Same logic as LED0 control.
4	Led_bt_on_en_1	RW POS	0x0	Same logic as LED0 control.
3	Led_col_blk_en_1	RW POS	0x0	Same logic as LED0 control.
2	Led_gt_blk_en_1	RW POS	0x0	Same logic as LED0 control.
1	Led_ht_blk_en_1	RW POS	0x0	Same logic as LED0 control.
0	Led_bt_blk_en_1	RW POS	0x0	Same logic as LED0 control.

6.1.15. LED2_CFG (EXT_0xA00E)

Table 30. LED2_CFG (EXT_0xA00E)

Bit	Symbol	Access	Default	Description
15:14	Led_src_sel_2	RW POS	0x0	Same logic as LED0 control.
13	Led_act_blk_ind_2	RW POS	0x0	Same logic as LED0 control.
12	Led_fdx_on_en_2	RW POS	0x0	Same logic as LED0 control.
11	Led_hdx_on_en_2	RW POS	0x0	Same logic as LED0 control.
10	Led_txact_blk_en_2	RW POS	0x1	Same logic as LED0 control.

9	Led_rxact_blk_en_2	RW POS	0x1	Same logic as LED0 control.
8	Led_txact_on_en_2	RW POS	0x0	Same logic as LED0 control.
7	Led_rxact_on_en_2	RW POS	0x0	Same logic as LED0 control.
6	Led_gt_on_en_2	RW POS	0x1	Same logic as LED0 control.
5	Led_ht_on_en_2	RW POS	0x0	Same logic as LED0 control.
4	Led_bt_on_en_2	RW POS	0x0	Same logic as LED0 control.
3	Led_col_blk_en_2	RW POS	0x0	Same logic as LED0 control.
2	Led_gt_blk_en_2	RW POS	0x0	Same logic as LED0 control.
1	Led_ht_blk_en_2	RW POS	0x0	Same logic as LED0 control.
0	Led_bt_blk_en_2	RW POS	0x0	Same logic as LED0 control.

6.1.16. LED_BLINK_CFG (EXT_0xA00F)

Table 31. LED_BLINK_CFG (EXT_0xA00F)

Bit	Symbol	Access	Default	Description
15:7	Reserved	RO	0x0	Reserved
6:4	Led_duty	RW	0x0	Select duty cycle of Blink: 000: 50% ON and 50% OFF; 001: 67% ON and 33% OFF; 010: 75% ON and 25% OFF; 011: 83% ON and 17% OFF; 100: 50% ON and 50% OFF; 101: 33% ON and 67% OFF; 110: 25% ON and 75% OFF; 111: 17% ON and 83% OFF.
3:2	Freq_sel_2	RW	0x1	Select frequency of Blink Mode2: 00: 2Hz; 01: 4Hz; 10: 8Hz; 11: 16Hz.
1:0	Freq_sel_1	RW	0x2	Select frequency of Blink Mode1: 00: 2Hz; 01: 4Hz; 10: 8Hz; 11: 16Hz.

6.1.17. Pad Drive Strength Cfg (EXT_0xA010)

Table 32. Pad Drive Strength Cfg (EXT_0xA010)

Bit	Symbol	Access	Default	Description
15:10	Reserved	RO	0x0	Reserved
9:8	Dr_sync_e	RW	0x3	Drive strenght of SyncE pad. 2'b11: strongest; 2'b00: weakest
7:6	Dr_mdio	RW	0x3	Drive strenght of mdio pad. 2'b11: strongest; 2'b00: weakest
5:4	Dr_rx_rgmii	RW POS	0x1	Drive strenght of rx rgmii pad. 2'b11: strongest; 2'b00: weakest, depend on rgmii IO voltage level
3:2	Reserved	RW	0x3	Reserved
1:0	Dr_led	RW	0x3	Drive strenght of led io pad. 2'b11: strongest; 2'b00: weakest

6.1.18. SyncE_CFG (EXT_0xA012)

Table 33. SyncE_CFG (EXT_0xA012)

Bit	Symbol	Access	Default	Description
15:7	Reserved	RO	0x0	Reserved
6	Phy_do_fib	RW	0x1	1: In UTP_TO_FIBER mode, do not enable UTP until fiber links up.
5	En_sync_e	RW	0x0	enable SyncE clock output
4	En_sync_e_during_lnkdn	RW	0x0	always output SyncE clock even when link is down
3	Clk_fre_sel	RW	0x1	1'b1: output 125m clock; 1'b0: output 25m clock
2:1	Clk_src_sel	RW	0x0	select clock source of SyncE. 2'b00: pll clock; 2'b01: utp recovered rx clock; 2'b10: sds recovered rx clock; 2'b11: 25MHz crystal clock
0	Reserved	RW	0x0	Reserved

6.2. UTP MII Register

6.2.1. Basic Control Register (0x00)

Table 34. Basic Control Register (0x00)

Bit	Symbol	Access	Default	Description
15	Reset	RW SC	0x0	PHY Software Reset. Writing 1 to this bit causes immediate PHY reset. Once the operation is done, this bit is cleared automatically. 0: Normal operation 1: PHY reset
14	Loopback	RW SWC	0x0	Internal loopback control 1'b0: disable loopback 1'b1: enable loopback
13	Speed_Selection(LSB)	RW	0x0	LSB of speed_selection[1:0]. Link speed can be selected via either the Auto-Negotiation process, or manual speed selection speed_selection[1:0]. Speed_selection[1:0] is valid when Auto-Negotiation is disabled by clearing bit 0.12 to zero. Bit6 bit13 1 1 = Reserved 1 0 = 1000Mb/s 0 1 = 100Mb/s 0 0 = 10Mb/s
12	Autoneg_En	RW	0x1	1: to enable auto-negotiation; 0: auto-negotiation is disabled.
11	Power_down	RW SWC	0x0	1 = Power down 0 = Normal operation When the port is switched from power down to normal operation, software reset and Auto-Negotiation are performed even bit[15] RESET

				and bit[9] RESTART_AUTO_NEGOTIATION are not set by the user.
10	Isolate	RW SWC	0x0	Isolate phy from RGMII/SGMII/FIBER. 1'b0: Normal mode 1'b1: Isolate mode
9	Re_Autoneg	RW SC SWS	0x0	Auto-Negotiation automatically restarts after hardware or software reset regardless of bit[9] RESTART. 1 = Restart Auto-Negotiation Process 0 = Normal operation
8	Duplex_Mode	RW	0x1	The duplex mode can be selected via either the Auto-Negotiation process or manual duplex selection. Manual duplex selection is allowed when Auto-Negotiation is disabled by setting bit[12] AUTO_NEGOTIATION to 0. 1 = Full Duplex 0 = Half Duplex
7	Collision_Test	RW SWC	0x0	Setting this bit to 1 makes the COL signal asserted whenever the TX_EN signal is asserted. 1 = Enable COL signal test 0 = Disable COL signal test
6	Speed_Selection(MSB)	RW	0x1	See bit13.
5:0	Reserved	RO	0x0	Reserved. Write as 0, ignore on read

6.2.2. Basic Status Register (0x01)

Table 35. Basic Status Register (0x01)

Bit	Symbol	Access	Default	Description
15	100BASE-T4	RO	0x0	PHY doesn't support 100BASE-T4
14	100BASE-X_Fd	RO	0x1	PHY supports 100BASE-X_FD
13	100BASE-X_Hd	RO	0x1	PHY supports 100BASE-X_HD
12	10Mbps_Fd	RO	0x1	PHY supports 10Mbps_Fd
11	10Mbps_Hd	RO	0x1	PHY supports 10Mbps_Hd
10	100BASE-T2_Fd	RO	0x0	PHY doesn't support 100BASE-T2_Fd
9	100BASE-T2_Hd	RO	0x0	PHY doesn't support 100BASE-T2_Hd
8	Extended_Status	RO	0x1	Whether support EXTended status register in MII 0xF 0: Not supported 1: Supported
7	Unidirect_Ability	RO	0x0	1'b0: PHY able to transmit from MII only when the PHY has determined that a valid link has been established 1'b1: PHY able to transmit from MII regardless of whether the PHY has determined that a valid link has been established
6	Mf_Preamble_Suppression	RO	0x1	1'b0: PHY will not accept management frames with preamble suppressed 1'b1: PHY will accept management frames with preamble suppressed
5	Autoneg_Complete	RO SWC	0x0	1'b0: Auto-negotiation process not completed 1'b1: Auto-negotiation process completed
4	Remote_Fault	RO RC	0x0	1'b0: no remote fault condition detected

		SWC LH		1'b1: remote fault condition detected
3	Autoneg_Ability	RO	0x1	1'b0: PHY not able to perform Auto-negotiation 1'b1: PHY able to perform Auto-negotiation
2	Link_Status	RO LL SWC	0x0	Link status 1'b0: Link is down 1'b1: Link is up
1	Jabber_Detect	RO RC SWC LH	0x0	10BASE-Te jabber detected. It would assert if TX activity lasts longer than 42ms. 1'b0: no jabber condition detected 1'b1: Jabber condition detected.
0	Extended_Capability	RO	0x1	To indicate whether support EXTended registers, to access from address register 0x1E and data register 0x1F 1'b0: Not supported 1'b1: Supported

6.2.3. PHY Identification Register1 (0x02)

Table 36. PHY Identification Register1 (0x02)

Bit	Symbol	Access	Default	Description
15:0	Phy_Id	RO	0x0	Bits 3 to 18 of the Organizationally Unique Identifier

6.2.4. PHY Identification Register2 (0x03)

Table 37. PHY Identification Register2 (0x03)

Bit	Symbol	Access	Default	Description
15:10	Phy_Id	RO	0x0	Bits 19 to 24 of the Organizationally Unique Identifier
9:4	Type_No	RO	0x11	6 bits manufacturer's type number
3:0	Revision_No	RO	0xa	4 bits manufacturer's revision number

6.2.5. Auto-Negotiation Advertisement (0x04)

Table 38. Auto-Negotiation Advertisement (0x04)

Bit	Symbol	Access	Default	Description
15	NEXT_Page	RW	0x0	This bit is updated immediately after the writing operation; however the configuration does not take effect until any of the following occurs: This bit is updated immediately after the writing operation; however the configuration does not take effect until any of the following occurs: <ul style="list-style-type: none"> • Software reset is asserted by writing register 0x0 bit[15] • Restart Auto-Negotiation is triggered by writing register 0x0 bit[9] • The port is switched from power down to normal operation by writing register 0x0 bit[11] • Link goes down If 1000BASE-T is advertised, the required next pages are automatically transmitted. This bit must be set to 0 if no additional next page is needed. 1 = Advertise 0 = Not advertised

14	Ack	RO	0x0	Always 0.
13	Remote_Fault	RW	0x0	1 = Set Remote Fault bit 0 = Do not set Remote Fault bit
12	Extended_NEXT_Page	RW	0x1	Extended nEXT page enable control bit 1 = Local device supports transmission of extended next pages 0 = Local device does not support transmission of extended next pages.
11	Asymmetric_Pause	RW	0x1	This bit is updated immediately after the writing operation; however the configuration does not take effect until any of the following occurs: <ul style="list-style-type: none"> • Software reset is asserted by writing register 0x0 bit[15] • Restart Auto-Negotiation is triggered by writing register 0x0 bit[9] • The port is switched from power down to normal operation by writing register 0x0 bit[11] • Link goes down 1 = Asymmetric Pause 0 = No asymmetric Pause
10	Pause	RW	0x1	This bit is updated immediately after the writing operation; however the configuration does not take effect until any of the following occurs: <ul style="list-style-type: none"> • Software reset is asserted by writing register 0x0 bit[15] • Restart Auto-Negotiation is triggered by writing register 0x0 bit[9] • The port is switched from power down to normal operation by writing register 0x0 bit[11] • Link goes down 1 = MAC PAUSE implemented 0 = MAC PAUSE not implemented
9	100BASE-T4	RO	0x0	1 = Able to perform 100BASE-T4 0 = Not able to perform 100BASE-T4 Always 0
8	100BASE-TX_Full_Duplex	RW	0x1	This bit is updated immediately after the writing operation; however the configuration does not take effect until any of the following occurs: <ul style="list-style-type: none"> • Software reset is asserted by writing register 0x0 bit[15] • Restart Auto-Negotiation is triggered by writing register 0x0 bit[9] • The port is switched from power down to normal operation by writing register 0x0 bit[11] • Link goes down 1 = Advertise 0 = Not advertised
7	100BASE-TX_Half_Duplex	RW	0x1	This bit is updated immediately after the writing operation; however the configuration does not take effect until any of the following occurs: <ul style="list-style-type: none"> • Software reset is asserted by writing register 0x0 bit[15] • Restart Auto-Negotiation is triggered by writing register 0x0 bit[9] • The port is switched from power down to normal operation by writing register 0x0 bit[11] • Link goes down 1 = Advertise 0 = Not advertised

				<ul style="list-style-type: none"> • Software reset is asserted by writing register 0x0 bit[15] • Restart Auto-Negotiation is triggered by writing register 0x0 bit[9] • The port is switched from power down to normal operation by writing register 0x0 bit[11] • Link goes down 1 = Advertise 0 = Not advertised
6	10BASE-Te_Full_Duplex	RW	0x1	This bit is updated immediately after the writing operation; however the configuration does not take effect until any of the following occurs: <ul style="list-style-type: none"> • Software reset is asserted by writing register 0x0 bit[15] • Restart Auto-Negotiation is triggered by writing register 0x0 bit[9] • The port is switched from power down to normal operation by writing register 0x0 bit[11] • Link goes down 1 = Advertise 0 = Not advertised
5	10BASE-Te_Half_Duplex	RW	0x1	This bit is updated immediately after the writing operation; however the configuration does not take effect until any of the following occurs: <ul style="list-style-type: none"> • Software reset is asserted by writing register 0x0 bit[15] • Restart Auto-Negotiation is triggered by writing register 0x0 bit[9] • The port is switched from power down to normal operation by writing register 0x0 bit[11] • Link goes down 1 = Advertise 0 = Not advertised
4:0	Selector_Field	RW	0x1	Selector Field mode. 00001 = IEEE 802.3

6.2.6. Auto-Negotiation Link Partner Ability (0x05)

Table 39. Auto-Negotiation Link Partner Ability (0x05)

Bit	Symbol	Access	Default	Description
15	1000BASE-X_Fd	RO SWC	0x0	Received Code Word Bit 15 1 = Link partner is capable of next page 0 = Link partner is not capable of next page
14	ACK	RO SWC	0x0	Acknowledge. Received Code Word Bit 14 1 = Link partner has received link code word 0 = Link partner has not received link code word
13	REMOTE_FAULT	RO SWC	0x0	Remote Fault. Received Code Word Bit 13 1 = Link partner has detected remote fault 0 = Link partner has not detected remote fault
12	RESERVED	RO SWC	0x0	Technology Ability Field. Received Code Word Bit 12
11	ASYMMETRIC_PAUSE	RO SWC	0x0	Technology Ability Field. Received Code Word Bit 11 1 = Link partner requests asymmetric pause 0 = Link partner does not request asymmetric

				pause
10	PAUSE	RO SWC	0x0	Technology Ability Field. Received Code Word Bit 10 1 = Link partner supports pause operation 0 = Link partner does not support pause operation
9	100BASE-T4	RO SWC	0x0	Technology Ability Field. Received Code Word Bit 9 1 = Link partner supports 100BASE-T4 0 = Link partner does not support 100BASE-T4
8	100BASE-TX_FULL_DUPLEX	RO SWC	0x0	Technology Ability Field. Received Code Word Bit 8 1 = Link partner supports 100BASE-TX full-duplex 0 = Link partner does not support 100BASE-TX full-duplex
7	100BASE-TX_HALF_DUPLEX	RO SWC	0x0	Technology Ability Field. Received Code Word Bit 7 1 = Link partner supports 100BASE-TX half-duplex 0 = Link partner does not support 100BASE-TX half-duplex
6	10BASE-Te_FULL_DUPLEX	RO SWC	0x0	Technology Ability Field. Received Code Word Bit 6 1 = Link partner supports 10BASE-Te full-duplex 0 = Link partner does not support 10BASE-Te full-duplex
5	10BASE-Te_HALF_DUPLEX	RO SWC	0x0	Technology Ability Field. Received Code Word Bit 5 1 = Link partner supports 10BASE-Te half-duplex 0 = Link partner does not support 10BASE-Te half-duplex
4:0	SELECTOR_FIELD	RO SWC	0x0	Selector Field Received Code Word Bit 4:0

6.2.7. Auto-Negotiation Expansion Register (0x06)

Table 40. Auto-Negotiation Expansion Register (0x06)

Bit	Symbol	Access	Default	Description
15:5	Reserved	RO	0x0	Reserved
4	Parallel Detection fault	RO RC LH SWC	0x0	1 = Fault is detected 0 = No fault is detected
3	Link partner nEXT page able	RO LH SWC	0x0	1 = Link partner supports NEXT page 0 = Link partner does not support next page
2	Local NEXT Page able	RO	0x1	1 = Local Device supports NEXT Page 0 = Local Device does not support Next Page
1	Page received	RO RC LH	0x0	1 = A new page is received 0 = No new page is received
0	Link Partner Auto negotiation able	RO	0x0	1 = Link partner supports auto-negotiation 0 = Link partner does not support auto-negotiation

6.2.8. Auto-Negotiation NEXT Page Register (0x07)

Table 41. Auto-Negotiation NEXT Page Register (0x07)

Bit	Symbol	Access	Default	Description
15	NEXT Page	RW	0x0	Transmit Code Word Bit 15 1 = The page is not the last page 0 = The page is the last page
14	Reserved	RO	0x0	Reserved
13	Message page mode	RW	0x1	Transmit Code Word Bit 13 1 = Message Page 0 = Unformatted Page
12	Ack2	RW	0x0	Transmit Code Word Bit 12 1 = Comply with message 0 = Cannot comply with message
11	Toggle	RO	0x0	Transmit Code Word Bit 11 1 = This bit in the previously exchanged Code Word is logic 0 0 = The Toggle bit in the previously exchanged Code Word is logic 1
10:0	Message/Unformatte	RW	0x1	Transmit Code Word Bits [10:0]. These bits are encoded as Message Code Field when bit[13] is set to 1, or as Unformatted Code Field when bit[13] is set to 0.

6.2.9. Auto-Negotiation Link Partner Received NEXT Page Register (0x08)

Table 42. Auto-Negotiation Link Partner Received NEXT Page Register (0x08)

Bit	Symbol	Access	Default	Description
15	NEXT Page	RO	0x0	Received Code Word Bit 15 1 = This page is not the last page 0 = This page is the last page
14	Ack	RO	0x0	Received Code Word Bit 14 1 = successfully received its Link Partner's ack 0 = didn't receive its Link Partner's ack
13	Message page mode	RO	0x0	Received Code Word Bit 13 1 = Message Page 0 = Unformatted Page
12	Ack2	RO	0x0	Received Code Word Bit 12 1 = Comply with message 0 = Cannot comply with message
11	Toggle	RO	0x0	Received Code Word Bit 11 1 = This bit in the previously exchanged Code Word is logic 0 0 = The Toggle bit in the previously exchanged Code Word is logic 1
10:0	Message/Unformatte	RO	0x0	Received Code Word Bit 10:0 These bits are encoded as Message Code Field when bit[13] is set to 1, or as Unformatted Code Field when bit[13] is set to 0.

6.2.10. MASTER-SLAVE control register (0x09)

Table 43. MASTER-SLAVE control register (0x09)

Bit	Symbol	Access	Default	Description
15:13	Test mode	RW	0x0	<p>The TX_TCLK signals from the RX_CLK pin is for jitter testing in test modes 2 and 3. When exiting the test mode, hardware reset or software reset through writing register 0x0 bit[15] must be performed to ensure normal operation.</p> <p>000 = Normal Mode 001 = Test Mode 1 - Transmit Waveform Test 010 = Test Mode 2 - Transmit Jitter Test (MASTER mode) 011 = Test Mode 3 - Transmit Jitter Test (SLAVE mode) 100 = Test Mode 4 - Transmit Distortion Test 110, 111 = Reserved, normal operation.</p>
12	Master/Slave Manual configuration Enable	RW	0x0	<p>This bit is updated immediately after the writing operation; however the configuration does not take effect until any of the following occurs:</p> <ul style="list-style-type: none"> • Software reset is asserted by writing register 0x0 bit[15] • Restart Auto-Negotiation is triggered by writing register 0x0 bit[9] • The port is switched from power down to normal operation by writing register 0x0 bit[11] • Link goes down <p>1 = Manual MASTER/SLAVE configuration 0 = Automatic MASTER/SLAVE configuration.</p>
11	Master/Slave configuration	RW	0x0	<p>This bit is updated immediately after the writing operation; however the configuration does not take effect until any of the following occurs:</p> <ul style="list-style-type: none"> • Software reset is asserted by writing register 0x0 bit[15] • Restart Auto-Negotiation is triggered by writing register 0x0 bit[9] • The port is switched from power down to normal operation by writing register 0x0 bit[11] • Link goes down <p>This bit is ignored if bit[12] is 0. 1 = Manual configuration as MASTER 0 = Manual configuration as SLAVE.</p>
10	Port Type	RW	0x0	<p>This bit is updated immediately after the writing operation; however the configuration does not take effect until any of the following occurs:</p> <ul style="list-style-type: none"> • Software reset is asserted by writing register 0x0 bit[15] • Restart Auto-Negotiation is triggered by writing register 0x0 bit[9] • The port is switched from power down to normal operation by writing register 0x0 bit[11] • Link goes down <p>This bit is ignored if bit[12] is 1. 1 = Prefer multi-port device (MASTER) 0 = Prefer single port device (SLAVE)</p>
9	1000BASE-T Full	RW	0x1	<p>This bit is updated immediately after the writing operation; however the configuration does not take effect until any of the following occurs:</p>

				<ul style="list-style-type: none"> • Software reset is asserted by writing register 0x0 bit[15] • Restart Auto-Negotiation is triggered by writing register 0x0 bit[9] • The port is switched from power down to normal operation by writing register 0x0 bit[11] • Link goes down 1 = Advertise 0 = Not advertised
8	1000BASE-T Half-	RW	0x0	This bit is updated immediately after the writing operation; however the configuration does not take effect until any of the following occurs: <ul style="list-style-type: none"> • Software reset is asserted by writing register 0x0 bit[15] • Restart Auto-Negotiation is triggered by writing register 0x0 bit[9] • The port is switched from power down to normal operation by writing register 0x0 bit[11] • Link goes down 1 = Advertise 0 = Not advertised (default)
7:0	Reserved	RW	0x0	Write as 0, ignore on read.

6.2.11. MASTER-SLAVE Status Register (0x0A)

Table 44. MASTER-SLAVE Status Register (0x0A)

Bit	Symbol	Access	Default	Description
15	Master/Slave_cfg_error	RO RC SWC LH	0x0	This register bit will clear on read, rising of MII 0.12 and rising of AN complete. 1 = Master/Slave configuration fault detected 0 = No fault detected
14	Master/Slave	RO	0x0	This bit is not valid unless register 0x1 bit5 is 1. 1 = Local PHY configuration resolved to Master 0 = Local PHY configuration resolved to Slave
13	Local Receiver Status	RO	0x0	1 = Local Receiver OK 0 = Local Receiver not OK
12	Remote Receiver	RO	0x0	1 = Remote Receiver OK 0 = Remote Receiver not OK
11	Link Partner	RO	0x0	This bit is not valid unless register 0x1 bit5 is 1. 1 = Link Partner supports 1000BASE-T half duplex 0 = Link Partner does not support 1000BASE-T half duplex
10	Link Partner	RO	0x0	This bit is not valid unless register 0x1 bit5 is 1. 1 = Link Partner supports 1000BASE-T full duplex 0 = Link Partner does not support 1000BASE-T full duplex
9:8	Reserved	RO	0x0	Reserved
7:0	Idle Error Count	RO RC	0x0	MSB of Idle Error Counter. The register indicates the idle error count since the last read operation performed to this register. The counter pegs at 11111111 and does not roll over.

6.2.12. MMD Access Control Register (0x0D)**Table 45. MMD Access Control Register (0x0D)**

Bit	Symbol	Access	Default	Description
15:14	Function	RW	0x0	00 = Address 01 = Data, no post increment 10 = Data, post increment on reads and writes 11 = Data, post increment on writes only
13:5	Reserved	RO	0x0	Reserved
4:0	DEVAD	RW	0x0	MMD register device address. 00001 = MMD1 00011 = MMD3 00111 = MMD7

6.2.13. MMD Access Data Register (0x0E)**Table 46. MMD Access Data Register (0x0E)**

Bit	Symbol	Access	Default	Description
15:0	Address data	RW	0x0	If register 0xD bits [15:14] are 00, this register is used as MMD DEVAD address register. Otherwise, this register is used as MMD DEVAD data register as indicated by its address register.

6.2.14. Extended status register (0x0F)**Table 47. Extended status register (0x0F)**

Bit	Symbol	Access	Default	Description
15	1000BASE-X Full Duplex	RO	0x0	1 = PHY supports 1000BASE-X Full Duplex 0 = PHY does not supports 1000BASE-X Full Duplex Always 0.
14	1000BASE-X Half Duplex	RO	0x0	1 = PHY supports 1000BASE-X Half Duplex. 0 = PHY does not support 1000BASE-X Half Duplex. Always 0
13	1000BASE-T Full Duplex	RO	0x1	1 = PHY supports 1000BASE-T Full Duplex 0 = PHY does not supports 1000BASE-T Full Duplex Always 1
12	1000BASE-T Half Duplex	RO	0x0	1 = PHY supports 1000BASE-T Half Duplex 0 = PHY does not support 1000BASE-T Half Duplex Always 0.
11:0	Reserved	RO	0x0	Reserved

6.2.15. PHY Specific Function Control Register (0x10)**Table 48. PHY Specific Function Control Register (0x10)**

Bit	Symbol	Access	Default	Description
15:7	Reserved	RO	0x0	Reserved
6:5	Cross_md	RW	0x3	Changes made to these bits disrupt normal operation, thus a software reset is mandatory

				after the change. And the configuration does not take effect until software reset. 00 = Manual MDI configuration 01 = Manual MDIX configuration 10 = Reserved 11 = Enable automatic crossover for all modes
4	Reserved	RO	0x0	Reserved
3	Crs_on_tx	RW	0x0	This bit is effective in 10BASE-Te half-duplex mode and 100BASE-TX mode: 1 = Assert CRS on transmitting or receiving 0 = Never assert CRS on transmitting, only assert it on receiving.
2	En_sqe_test	RW	0x0	1 = SQE test enabled, 0 = SQE test disabled Note: SQE Test is automatically disabled in full-duplex mode regardless the setting in this bit.
1	En_pol_inv	RW	0x1	If polarity reversal is disabled, the polarity is forced to be normal in 10BASE-Te. 1 = Polarity Reversal Enabled 0 = Polarity Reversal Disabled
0	Dis_jab	RW	0x0	1 = Disable 10BASE-Te jabber detection function 0 = Enable 10BASE-Te jabber detection function

6.2.16. PHY Specific Status Register (0x11)

Table 49. PHY Specific Status Register (0x11)

Bit	Symbol	Access	Default	Description
15:14	Speed_mode	RO	0x0	These status bits are valid only when bit11 is 1. Bit11 is set when Auto-Negotiation is completed or Auto-Negotiation is disabled. 11 = Reserved 10 = 1000 Mbps 01 = 100 Mbps 00 = 10 Mbps
13	Duplex	RO	0x0	This status bit is valid only when bit11 is 1. Bit11 is set when Auto-Negotiation is completed or Auto-Negotiation is disabled. 1 = Full-duplex 0 = Half-duplex
12	Page Received real-time	RO	0x0	1 = Page received 0 = Page not received
11	Speed and Duplex Resolved	RO	0x0	When Auto-Negotiation is disabled, this bit is set to 1 for force speed mode. 1 = Resolved 0 = Not resolved
10	Link status real-time	RO	0x0	1 = Link up 0 = Link down
9:7	Reserved	RO	0x0	Reserved
6	MDI Crossover Status	RO	0x0	This status bit is valid only when bit11 is 1. Bit11 is set when Auto-Negotiation is completed or Auto-Negotiation is disabled. The bit value depends on register 0x10 "PHY

				specific function control register” bits6~bit5 configurations. Register 0x10 configurations take effect after software reset. 1 = MDIX 0 = MDI
5	Wirespeed downgrade	RO	0x0	1 = Downgrade 0 = No Downgrade
4	Reserved	RO	0x0	Reserved
3	Transmit Pause	RO	0x0	This status bit is valid only when bit11 is 1. Bit11 is set when Auto-Negotiation is completed. This bit indicates MAC pause resolution. This bit is for information purposes only and is not used by the device. When in force mode, this bit is set to be 0. 1 = Transmit pause enabled 0 = Transmit pause disabled
2	Receive Pause	RO	0x0	This status bit is valid only when bit[11] is 1. Bit[11] is set when Auto-Negotiation is completed. This bit indicates MAC pause resolution. This bit is for information purposes only and is not used by the device. When in force mode, this bit is set to be 0. 1 = Receive pause enabled 0 = Receive pause disabled
1	Polarity Real Time	RO	0x0	1 = Reverted polarity 0 = Normal polarity
0	Jabber Real Time	RO	0x0	1 = Jabber 0 = No jabber

6.2.17. Interrupt Mask Register (0x12)

Table 50. Interrupt Mask Register (0x12)

Bit	Symbol	Access	Default	Description
15	Auto-Negotiation Error INT mask	RW	0x0	1 = Interrupt enable 0 = Interrupt disable
14	Speed Changed INT mask	RW	0x0	same as bit 15
13	Duplex changed INT mask	RW	0x0	same as bit 15
12	Page Received INT mask	RW	0x0	same as bit 15
11	Link Failed INT mask	RW	0x0	same as bit 15
10	Link Succeed INT mask	RW	0x0	same as bit 15
9:7	reserved	RW	0x0	No used.
6	WOL INT mask	RW	0x0	same as bit 15
5	Wirespeed downgraded INT mask	RW	0x0	same as bit 15
4	Reserved	RW	0x0	No used.
3	Serdes Link Failed INT mask	RW	0x0	same as bit 15
2	Serdes Link Success INT mask	RW	0x0	same as bit 15
1	Polarity changed INT mask	RW	0x0	same as bit 15
0	Jabber Happened INT mask	RW	0x0	same as bit 15

6.2.18. Interrupt Status Register (0x13)

Table 51. Interrupt Status Register (0x13)

Bit	Symbol	Access	Default	Description
15	Auto-Negotiation Error INT	RO RC	0x0	Error can take place when any of the following happens: <ul style="list-style-type: none"> • MASTER/SLAVE does not resolve correctly • Parallel detect fault • No common HCD • Link does not come up after negotiation is complete • Selector Field is not equal • flp_receive_idle=true while Autoneg Arbitration FSM is in NEXT PAGE WAIT state 1 = Auto-Negotiation Error takes place 0 = No Auto-Negotiation Error takes place
14	Speed Changed INT	RO RC	0x0	1 = Speed changed 0 = Speed not changed
13	Duplex changed INT	RO RC	0x0	1 = duplex changed 0 = duplex not changed
12	Page Received INT	RO RC	0x0	1 = Page received 0 = Page not received
11	Link Failed INT	RO RC	0x0	1 = Phy link down takes place 0 = No link down takes place
10	Link Succeed INT	RO RC	0x0	1 = Phy link up takes place 0 = No link up takes place
9:7	reserved	RO RC	0x0	No used.
6	WOL INT	RO RC	0x0	1 = PHY received WOL magic frame. 0 = PHY didn't receive WOL magic frame
5	Wirespeed downgraded INT	RO RC	0x0	1 = speed downgraded. 0 = Speed didn't downgrade.
4	Reserved	RO RC	0x0	Reserved
3	Serdes Link Failed INT	RO RC	0x0	1 = Sds link down takes place 0 = No Sds link down takes place
2	Serdes Link Success INT	RO RC	0x0	1 = Sds link up takes place 0 = No Sds link up takes place
1	Polarity changed INT	RO RC	0x0	1 = PHY revered MDI polarity 0 = PHY didn't revert MDI polarity
0	Jabber Happened INT	RO RC	0x0	1 = 10BASE-Te TX jabber happened 0 = 10BASE-Te TX jabber didn't happen Please refer to UTP MII Register 0x1 bit[1] Jabber_Detect.

6.2.19. Speed Auto Downgrade Control Register (0x14)

Table 52. Speed Auto Downgrade Control Register (0x14)

Bit	Symbol	Access	Default	Description
15:12	Reserved	RO	0x0	Reserved
11:6	Reserved	RW	0x20	Reserved
5	En_speed_downgrade	RW POS	0x1	When this bit is set to 1, the PHY enables smart-speed function. Writing this bit requires a

				software reset to update. This bit will be set to 1'b0 in UTP_TO_FIBER mode; else set to 1'b1, only take effect after software reset
4:2	Autoneg retry limit pre-downgrade	RW	0x3	If these bits are set to 3, the PHY attempts five times (set value 3 + additional 2) before downgrading. The number of attempts can be changed by these bits. Only take effect after software reset
1	Reserved	RW	0x0	Reserved
0	Reserved	RO	0x0	Reserved

6.2.20. Rx Error Counter Register (0x15)

Table 53. Rx Error Counter Register (0x15)

Bit	Symbol	Access	Default	Description
15:0	Rx_err_counter	RO SWC	0x0	This counter increase by 1 at the 1st rising of RX_ER when RX_DV is 1. The counter will hold at maximum 16'hFFFF and not roll over.

6.2.21. Extended Register's Address Offset Register (0x1E)

Table 54. Extended Register's Address Offset Register (0x1E)

Bit	Symbol	Access	Default	Description
15:8	Reserved	RO	0x0	Reserved
7:0	Extended Register Address Offset	RW	0x0	It's the address offset of the extended register that will be Write or Read

6.2.22. Extended Register's Data Register (0x1F)

Table 55. Extended Register's Data Register (0x1F)

Bit	Symbol	Access	Default	Description
15:0	Extended Register Data	RW	0x0	It's the data to be written to the extended register indicated by the address offset in register 0x1E, or the data read out from that extended register.

6.3. UTP MMD Register

6.3.1. PCS Control 1 Register (MMD3, 0x0)

Table 56. PCS Control 1 Register (MMD3, 0x0)

Bit	Symbol	Access	Default	Description
15	Pcs_rst	RW SC	0x0	Setting this bit will set all PCS registers to their default states. This action also initiate a reset in MMD1 and MMD7.
14:11	Reserved	RO	0x0	Reserved
10	Clock_stoppable	RW SWC	0x0	Not used.
9:0	Reserved	RO	0x0	Reserved

6.3.2. PCS Status 1 Register (MMD3, 0x1)

Table 57. PCS Status 1 Register (MMD3, 0x1)

Bit	Symbol	Access	Default	Description
15:12	Reserved	RO	0x0	Reserved
11	Tx_lpi_rxed	RO LH	0x0	When read as 1, it indicates that the transmit PCS has received low power idle signaling one or more times since the register was last read. Lach High.
10	Rx_lpi_rxed	RO LH	0x0	When read as 1, it indicates that the receive PCS has received low power idle signaling one or more times since the register was last read. Lach High.
9	Tx_lpi_indic	RO	0x0	When read as 1, it indicates that the transmit PCS is currently receiving low power idle signals.
8	Rx_lpi_indic	RO	0x0	When read as 1, it indicates that the receive PCS is currently receiving low power idle signals.
7:3	Reserved	RO	0x0	Reserved
2	Pcsrx_lnk_status	RO LL	0x0	PCS status, latch low.
1:0	Reserved	RO	0x0	Reserved

6.3.3. EEE Control and Capability Register (MMD3, 0x14)

Table 58. EEE Control and Capability Register (MMD3, 0x14)

Bit	Symbol	Access	Default	Description
15:3	Reserved	RO	0x0	Reserved
2	1000BASE-T EEE	RO	0x1	Always 1. EEE is supported for 1000BASE-T
1	100BASE-TX EEE	RO	0x1	Always 1. EEE is supported for 100BASE-TX
0	Reserved	RO	0x0	Reserved

6.3.4. EEE Wake Error Counter (MMD3, 0x16)

Table 59. EEE Wake Error Counter (MMD3, 0x16)

Bit	Symbol	Access	Default	Description
15:0	Lpi_wake_err_cnt	RO RC SWC	0x0	Count wake time faults where the PHY fails to complete its normal wake sequence within the time required for the specific PHY type.

6.3.5. Local Device EEE Ability (MMD7, 0x3C)

Table 60. Local Device EEE Ability (MMD7, 0x3C)

Bit	Symbol	Access	Default	Description
15:3	Reserved	RO	0x0	Reserved
2	EEE_1000BT	RW	0x0	PHY's 1000BASE-T EEE ability.
1	EEE_100BT	RW	0x0	PHY's 100BASE-TX EEE ability.
0	Reserved	RO	0x0	Reserved

6.3.6. Link Partner EEE Ability (MMD7, 0x3D)

Table 61. Link Partner EEE Ability (MMD7, 0x3D)

Bit	Symbol	Access	Default	Description
15:3	Reserved	RO	0x0	Reserved

2	LP_ge_eee_ability	RO	0x0	Link partner's 100BASE-T EEE ability.
1	LP_ge_eee_ability	RO	0x0	Link partner's 100BASE-TX EEE ability.
0	Reserved	RO	0x0	Reserved

6.4. UTP LDS Register

6.4.1. LRE Control (0x00)

Table 62. LRE Control (0x00)

Bit	Symbol	Access	Default	Description
15	Reset	RW SC	0x0	PHY Software Reset. Writing 1 to this bit causes immediate PHY reset. Once the operation is done, this bit is cleared automatically. 1'b0: Normal operation; 1'b1: PHY reset
14	Reserved	RW	0x0	Reserved
13	Restart_LDS	RW SC	0x0	1'b1: restart LDS process
12	LDS_Enable	RW	0x0	1'b1: LDS enabled; 1'b0: LDS disabled
11	Reserved	RW	0x0	Reserved
10	Reserved	RW	0x0	Reserved
9:6	Speed_selection	RW	0x0	4'b0000: 10Mbps; 4'b1000: 100Mbps; Others: reserved
5:4	Pair_selection	RW	0x0	2'b00: 1 pair connection; 2'b01: 2 pair connections; 2'b10: 4 pair connections; 2'b11: reserved
3	M/S_selection	RW	0x0	1'b1: manually force local device to master, when reg0.12 = 0; 1'b0: manually force local device to slave, when reg0.12 = 0
2	Force auto negotiation	RW	0x0	1'b1: manually force local device to auto negotiation state, when reg0.12 = 0
1:0	Reserved	RO	0x0	Reserved. Write as 0, ignore on read

6.4.2. LRE Status (0x01)

Table 63. LRE Status (0x01)

Bit	Symbol	Access	Default	Description
15:14	Reserved	RO	0x0	Ignore on read
13	100Mbps_1-pair capable	RO	0x0	1'b1: 100Mbps 1-pair capable; 1'b0: Not 100Mbps 1-pair capable
12	100Mbps_4-pair capable	RO	0x1	1'b1: 100Mbps 4-pair capable; 1'b0: Not 100Mbps 4-pair capable
11	100Mbps_2-pair capable	RO	0x0	1'b1: 100Mbps 2-pair capable; 1'b0: Not 100Mbps 2-pair capable
10	10Mbps_2-pair capable	RO	0x0	1'b1: 10Mbps 2-pair capable; 1'b0: Not 10Mbps 2-pair capable
9	10Mbps_1-pair capable	RO	0x0	1'b1: 10Mbps 1-pair capable; 1'b0: Not 10Mbps 1-pair capable
8:6	Reserved	RO	0x7	Reserved

5	LDS_Complete	RO SWC	0x0	1'b1: LDS auto-negotiation complete; 1'b0: LDS auto-negotiation not complete
4	Support_IEEE_802.3_PHY	RO	0x1	1'b1: Support IEEE 802.3 PHY operation; 1'b0: Not Support IEEE 802.3 PHY operation
3	LDS_Ability	RO	0x1	1'b1: LDS auto-negotiation capable; 1'b0: Not LDS auto-negotiation capable
2	Link_Status	RO LL SWC	0x0	Link status; 1'b0: Link is down; 1'b1: Link is up
1	Reserved	RO	0x0	Reserved
0	Reserved	RO	0x1	Reserved

6.4.3. PHY ID Register1 (0x02)

Table 64. PHY ID Register1 (0x02)

Bit	Symbol	Access	Default	Description
15:0	PHY_ID	RO	0x0	

6.4.4. PHY ID Register2 (0x03)

Table 65. PHY ID Register2 (0x03)

Bit	Symbol	Access	Default	Description
15:0	PHY_ID	RO	0x11a	

6.4.5. LDS Auto-Negotiation Advertised Ability (0x04)

Table 66. LDS Auto-Negotiation Advertised Ability (0x04)

Bit	Symbol	Access	Default	Description
15:6	Reserved	RO	0x0	reserved
5	100Mbps_1-pair capable	RW	0x0	1'b1: 100Mbps 1-pair capable; 1'b0: Not 100Mbps 1-pair capable
4	100Mbps_4-pair capable	RW	0x1	1'b1: 100Mbps 4-pair capable; 1'b0: Not 100Mbps 4-pair capable
3	100Mbps_2-pair capable	RW	0x0	1'b1: 100Mbps 2-pair capable; 1'b0: Not 100Mbps 2-pair capable
2	10Mbps_2-pair capable	RW	0x0	1'b1: 10Mbps 2-pair capable; 1'b0: Not 10Mbps 2-pair capable
1	10Mbps_1-pair capable	RW	0x0	1'b1: 10Mbps 1-pair capable; 1'b0: Not 10Mbps 1-pair capable
0	Auto negotiation capable	RW	0x1	1'b1: Auto negotiation capable; 1'b0: Not auto negotiation capable

6.4.6. LDS Link Partner Ability (0x07)

Table 67. LDS Link Partner Ability (0x07)

Bit	Symbol	Access	Default	Description
15:6	Reserved	RO	0x0	Reserved
5	100Mbps_1-pair_capable	RO	0x0	1'b1: link partner 100Mbps 1-pair capable; 1'b0: link partner not 100Mbps 1-pair capable

4	100Mbps_4-pair_capable	RO	0x0	1'b1: link partner 100Mbps 4-pair capable; 1'b0: link partner not 100Mbps 4-pair capable
3	100Mbps_2-pair_capable	RO	0x0	1'b1: link partner 100Mbps 2-pair capable; 1'b0: link partner not 100Mbps 2-pair capable
2	10Mbps_2-pair_capable	RO	0x0	1'b1: link partner 10Mbps 2-pair capable; 1'b0: link partner not 10Mbps 2-pair capable
1	10Mbps_1-pair_capable	RO	0x0	1'b1: link partner 10Mbps 1-pair capable; 1'b0: link partner not 10Mbps 1-pair capable
0	Reserved	RO	0x0	Reserved

6.4.7. LDS Expansion (0x0A)

Table 68. LDS Expansion (0x0A)

Bit	Symbol	Access	Default	Description
15	Reserved	RO	0x0	Reserved
14	Master/Slave	RO	0x0	1 = Local PHY configuration resolved to Master; 0 = Local PHY configuration resolved to Slave
13:12	Connections_pairs	RO	0x0	Number of pairs; 2'b00: 1 pair; 2'b01: 2 pairs; 2'b10: 4 pairs; 2'b11: reserved
11:0	Estimated_cable_length	RO	0x0	

6.4.8. LDS Results (0x0B)

Table 69. LDS Results (0x0B)

Bit	Symbol	Access	Default	Description
15:6	Reserved	RO	0x0	
5	4-pair_100M	RO	0x0	1'b1: local PHY configuration resolved to 4-pair 100M
4	Auto_negotiation	RO	0x0	1'b1: local PHY configuration resolved to AN
3	1-pair_100M	RO	0x0	1'b1: local PHY configuration resolved to 1-pair 100M
2	1-pair_10M	RO	0x0	1'b1: local PHY configuration resolved to 1-pair 10M
1	2-pair_100M	RO	0x0	1'b1: local PHY configuration resolved to BR 2-pair 100M
0	2-pair_10M	RO	0x0	1'b1: local PHY configuration resolved to BR 2-pair 10M

6.5. UTP EXT Register

6.5.1. Pkgen Cfg1 (EXT_0x38)

Table 70. Pkgen Cfg1 (EXT_0x38)

Bit	Symbol	Access	Default	Description
15:13	Reserved	RO	0x0	Reserved

12	En_pkggen_da_sa	RW	0x0	1: set the DA/SA of the packet generated by pkg_gen to a programmed value; For DA, if UTP EXT 0x38 bit[11] is 1, the DA is set to broadcast address FF-FF-FF-FF-FF-FF; else, the DA is set to fix value, the highest 5 Bytes are 00-00-00-00-00, and the lowest 1 Byte is programmed by UTP EXT 0x3A bit[15:8]. For SA, the highest 5 Bytes are 00-00-00-00-00, and the lowest 1 Byte is programmed by UTP EXT 0x3A bit[7:0]. 0: the DA/SA is not programmed value
11	Pkgen_brdcst	RW	0x0	Valid when UTP EXT 0x38 bit12 is 1. 1: set the DA to broadcast address FF-FF-FF-FF-FF-FF 0: set the DA to a fixed programmed value.
10	Pkgchk_txsrc_sel	RW	0x0	1'b1: the package checker on TX side will check the tx data generated by pkg_gen; 1'b0: the package checker on TX side will check the tx data of UTP GMII/MII.
9:0	Reserved	RW	0x1ff	Reserved

6.5.2. Pkgen Cfg3 (EXT_0x3A)

Table 71. Pkgen Cfg3 (EXT_0x3A)

Bit	Symbol	Access	Default	Description
15:8	Pkgen_da	RW	0x0	Lowest 8 bits of DA, others is zero. Refer to UTP EXT 0x38 bit[12] for detail.
7:0	Pkgen_sa	RW	0x0	Lowest 8 bits of SA, others is zero. Refer to UTP EXT 0x38 bit[12] for detail.

6.5.3. Pkg Cfg0 (EXT_0xA0)

Table 72. Pkg Cfg0 (EXT_0xA0)

Bit	Symbol	Access	Default	Description
15	Pkg_chk_en	RW	0x0	1: to enable UTP RX/TX package checker. RX checker checks the UTP GMII/MII RX data; TX checker checks the UTP GMII/MII TX data.
14	Pkg_en_gate	RW	0x1	1: to enable gate all the clocks to package self-test module when bit15 pkg_chk_en is 0, bit13 bp_pkg_gen is 1 and bit12 pkg_gen_en is 0; 0: not gate the clocks.
13	Bp_pkg_gen	RW	0x1	1: normal mode, to send GMII/MII TX data from RGMII, SGMII or SerDes; 0: test mode, to send out the GMII/MII data generated by UTP pkg_gen module.
12	Pkg_gen_en	RW SC	0x0	1: to enable pkg_gen generating GMII/MII packages. But, the data will only be sent to transceiver when Bit13 bp_pkg_gen is 1'b0. If pkg_burst_size is 0, continuous packages will be generated and will be stopped only when pkg_gen_en is set to 0; Otherwise, after the expected packages are generated, pkg_gen will stop, pkg_gen_en will

				be self-cleared.
11:8	Pkg_prm_lth	RW	0x8	The preamble length of the generated packages, in Byte unit. Pkg_gen function only support ≥ 2 Byte preamble length. Values smaller than 2 will be ignored by the pkg_gen module.
7:4	Pkg_ipg_lth	RW	0xd	The IPG of the generated packages, in Byte unit for setting smaller than 12. For setting 13, ipg is 2ms; for setting 14, ipg is 20ms; for 15, ipg is 400ms; Pkg_gen function only support ≥ 2 Byte preamble length. Values smaller than 2 will be ignored by the pkg_gen module.
3	Reserved	RW	0x0	Reserved
2	Pkg_corrupt_crc	RW	0x0	1: to make pkg_gen to send out CRC error packages. 0: pkg_gen sends out CRC good packages.
1:0	Pkg_payload	RW	0x0	Control the payload of the generated packages. 00: increased Byte payload; 01: random payload; 10: fix pattern 0x5AA55AA5... 11: reserved.

6.5.4. Pkg Cfg1 (EXT_0xA1)

Table 73. Pkg Cfg1 (EXT_0xA1)

Bit	Symbol	Access	Default	Description
15:0	Pkg_length	RW	0x40	To set the length of the generated packages.

6.5.5. Pkg Cfg2 (EXT_0xA2)

Table 74. Pkg Cfg2 (EXT_0xA2)

Bit	Symbol	Access	Default	Description
15:0	Pkg_burst_size	RW	0x0	To set the number of packages in a burst of package generation.

6.5.6. Pkg Rx Valid0 (EXT_0xA3)

Table 75. Pkg Rx Valid0 (EXT_0xA3)

Bit	Symbol	Access	Default	Description
15:0	Pkg_ib_valid_high	RO RC	0x0	Pkg_ib_valid[31:16], pkg_ib_valid is the number of RX packages from wire whose CRC are good and length are ≥ 64 Byte and ≤ 1518 Byte.

6.5.7. Pkg Rx Valid1 (EXT_0xA4)

Table 76. Pkg Rx Valid1 (EXT_0xA4)

Bit	Symbol	Access	Default	Description
15:0	Pkg_ib_valid_low	RO RC	0x0	Pkg_ib_valid[15:0], pkg_ib_valid is the number of RX packages from wire whose CRC are good and length are ≥ 64 Byte and ≤ 1518 Byte.

6.5.8. Pkg Rx Os0 (EXT_0xA5)**Table 77. Pkg Rx Os0 (EXT_0xA5)**

Bit	Symbol	Access	Default	Description
15:0	Pkg_ib_os_good_high	RO RC	0x0	Pkg_ib_os_good[31:16], pkg_ib_os_good is the number of RX packages from wire whose CRC are good and length are >1518Byte.

6.5.9. Pkg Rx Os1 (EXT_0xA6)**Table 78. Pkg Rx Os1 (EXT_0xA6)**

Bit	Symbol	Access	Default	Description
15:0	Pkg_ib_os_good_low	RO RC	0x0	Pkg_ib_os_good[15:0], pkg_ib_os_good is the number of RX packages from wire whose CRC are good and length are >1518Byte.

6.5.10. Pkg Rx Us0 (EXT_0xA7)**Table 79. Pkg Rx Us0 (EXT_0xA7)**

Bit	Symbol	Access	Default	Description
15:0	Pkg_ib_us_good_high	RO RC	0x0	Pkg_ib_us_good[31:16], pkg_ib_us_good is the number of RX packages from wire whose CRC are good and length are <64Byte.

6.5.11. Pkg Rx Us1 (EXT_0xA8)**Table 80. Pkg Rx Us1 (EXT_0xA8)**

Bit	Symbol	Access	Default	Description
15:0	Pkg_ib_us_good_low	RO RC	0x0	Pkg_ib_us_good[15:0], pkg_ib_us_good is the number of RX packages from wire whose CRC are good and length are >1518Byte.

6.5.12. Pkg Rx Err (EXT_0xA9)**Table 81. Pkg Rx Err (EXT_0xA9)**

Bit	Symbol	Access	Default	Description
15:0	Pkg_ib_err	RO RC	0x0	pkg_ib_err is the number of RX packages from wire whose CRC are wrong and length are >=64Byte, <=1518Byte.

6.5.13. Pkg Rx Os Bad (EXT_0xAA)**Table 82. Pkg Rx Os Bad (EXT_0xAA)**

Bit	Symbol	Access	Default	Description
15:0	Pkg_ib_os_bad	RO RC	0x0	pkg_ib_os_bad is the number of RX packages from wire whose CRC are wrong and length are >=1518Byte.

6.5.14. Pkg Rx Fragment (EXT_0xAB)**Table 83. Pkg Rx Fragment (EXT_0xAB)**

Bit	Symbol	Access	Default	Description
15:0	Pkg_ib_frag	RO RC	0x0	pkg_ib_frag is the number of RX packages from wire whose length are <64Byte.

6.5.15. Pkg Rx Nosfd (EXT_0xAC)

Table 84. Pkg Rx Nosfd (EXT_0xAC)

Bit	Symbol	Access	Default	Description
15:0	Pkg_ib_nosfd	RO RC	0x0	pkg_ib_nosfd is the number of RX packages from wire whose SFD is missed.

6.5.16. Pkg Tx Valid0 (EXT_0xAD)

Table 85. Pkg Tx Valid0 (EXT_0xAD)

Bit	Symbol	Access	Default	Description
15:0	Pkg_ob_valid_high	RO RC	0x0	Pkg_ob_valid[31:16], pkg_ob_valid is the number of TX packages from MII whose CRC are good and length are >=64Byte and <=1518Byte.

6.5.17. Pkg Tx Valid1 (EXT_0xAE)

Table 86. Pkg Tx Valid1 (EXT_0xAE)

Bit	Symbol	Access	Default	Description
15:0	Pkg_ob_valid_low	RO RC	0x0	Pkg_ob_valid[15:0], pkg_ob_valid is the number of TX packages from MII whose CRC are good and length are >=64Byte and <=1518Byte.

6.5.18. Pkg Tx Os0 (EXT_0xAF)

Table 87. Pkg Tx Os0 (EXT_0xAF)

Bit	Symbol	Access	Default	Description
15:0	Pkg_ob_os_good_high	RO RC	0x0	Pkg_ob_os_good[31:0], pkg_ob_os_good is the number of TX packages from GMII whose CRC are good and length are >1518Byte.

6.5.19. Pkg Tx Os1 (EXT_0xB0)

Table 88. Pkg Tx Os1 (EXT_0xB0)

Bit	Symbol	Access	Default	Description
15:0	Pkg_ob_os_good_low	RO RC	0x0	Pkg_ob_os_good[15:0], pkg_ob_os_good is the number of TX packages from GMII whose CRC are good and length are >1518Byte.

6.5.20. Pkg Tx Us0 (EXT_0xB1)

Table 89. Pkg Tx Us0 (EXT_0xB1)

Bit	Symbol	Access	Default	Description
15:0	Pkg_ob_us_good_high	RO RC	0x0	Pkg_ob_us_good[31:0], pkg_ob_us_good is the

				number of TX packages from GMII whose CRC are good and length are <64Byte.
--	--	--	--	--

6.5.21. Pkg Tx Us1 (EXT_0xB2)

Table 90. Pkg Tx Us1 (EXT_0xB2)

Bit	Symbol	Access	Default	Description
15:0	Pkg_ob_us_good_low	RO RC	0x0	Pkg_ob_us_good[15:0], pkg_ob_us_good is the number of TX packages from GMII whose CRC are good and length are >1518Byte.

6.5.22. Pkg Tx Err (EXT_0xB3)

Table 91. Pkg Tx Err (EXT_0xB3)

Bit	Symbol	Access	Default	Description
15:0	Pkg_ob_err	RO RC	0x0	pkg_ob_err is the number of TX packages from GMII whose CRC are wrong and length are >=64Byte, <=1518Byte.

6.5.23. Pkg Tx Os Bad (EXT_0xB4)

Table 92. Pkg Tx Os Bad (EXT_0xB4)

Bit	Symbol	Access	Default	Description
15:0	Pkg_ob_os_bad	RO RC	0x0	pkg_ob_os_bad is the number of TX packages from GMII whose CRC are wrong and length are >=1518Byte.

6.5.24. Pkg Tx Fragment (EXT_0xB5)

Table 93. Pkg Tx Fragment (EXT_0xB5)

Bit	Symbol	Access	Default	Description
15:0	Pkg_ob_frag	RO RC	0x0	pkg_ob_frag is the number of TX packages from GMII whose length are <64Byte.

6.5.25. Pkg Tx Nosfd (EXT_0xB6)

Table 94. Pkg Tx Nosfd (EXT_0xB6)

Bit	Symbol	Access	Default	Description
15:0	Pkg_ob_nosfd	RO RC	0x0	pkg_ob_nosfd is the number of TX packages from GMII whose SFD is missed.

6.6. SDS MII Register

6.6.1. Basic Control Register (0x00)

Table 95. Basic Control Register (0x00)

Bit	Symbol	Access	Default	Description
15	Reset	RW SC	0x0	SDS Software Reset. Writing 1 to this bit causes immediate PHY reset. Once the operation is done, this bit is cleared automatically.

				0: Normal operation 1: SDS reset
14	Loopback	RW SWC	0x0	Internal loopback control 1'b0: disable loopback 1'b1: enable loopback
13	Speed_Selection(LSB)	RW	0x0	Valid only when the SerDes works as SGMII MAC, for example, when the chip mode is SGMAC_TO_RGPHY. LSB of speed_selection[1:0]. Link speed can be selected via either the Auto-Negotiation process, or manual speed selection speed_selection[1:0]. Speed_selection[1:0] is valid when Auto-Negotiation is disabled by clearing bit 0.12 to zero. Bit6 bit13 1 1 = Reserved 1 0 = 1000Mb/s 0 1 = 100Mb/s 0 0 = 10Mb/s
12	Autoneg_En	RW	0x1	1: enable auto-negotiation; 0: disable auto-negotiation.
11	Power_down	RW SWC	0x0	1 = Power down 0 = Normal operation
10	Isolate	RW SWC	0x0	Isolate SerDes from RGMII/UTP.
9	Re_Autoneg	RW SC	0x0	1 = Restart SGMII/1000BASE-X Auto-Negotiation; 0 = Normal operation. It's self clear.
8	Duplex_Mode	RW	0x1	Valid only when the SerDes works as SGMII MAC, for example, when the chip mode is SGMAC_TO_RGPHY. The duplex mode can be selected via either the Auto-Negotiation process or manual duplex selection. Manual duplex selection is allowed when Auto-Negotiation is disabled by setting bit[12] Autoneg_En to 0. 1 = Full Duplex 0 = Half Duplex
7	Reserved	RW	0x0	Reserved
6	Speed_Selection(MSB)	RW	0x1	See bit13.
5:0	Reserved	RW	0x0	Reserved. Write as 0, ignore on read

6.6.2. Basic Status Register (0x01)

Table 96. Basic Status Register (0x01)

Bit	Symbol	Access	Default	Description
15	100BASE-T4	RO	0x0	PHY doesn't support 100BASE-T4
14	100BASE-X_Fd	RO	0x0	PHY supports 100BASE-X_FD
13	100BASE-X_Hd	RO	0x0	PHY supports 100BASE-X_HD
12	10Mbps_Fd	RO	0x0	PHY supports 10Mbps_Fd
11	10Mbps_Hd	RO	0x0	PHY supports 10Mbps_Hd
10	100BASE-T2_Fd	RO	0x0	PHY doesn't support 100BASE-T2_Fd

9	100BASE-T2_Hd	RO	0x0	PHY doesn't support 100BASE-T2_Hd
8	Extended_Status	RO	0x0	Whether support Extended status register in MII register 0xF 0: Not supported 1: Supported
7	Unidirect_Ability	RO	0x0	1'b0: PHY able to transmit from MII only when the PHY has determined that a valid link has been established 1'b1: PHY able to transmit from MII regardless of whether the PHY has determined that a valid link has been established
6	Mf_Preamble_Suppression	RO	0x1	1'b0: PHY will not accept management frames with preamble suppressed 1'b1: PHY will accept management frames with preamble suppressed
5	Autoneg_Complete	RO SWC	0x0	1'b0: Auto-negotiation process not completed 1'b1: Auto-negotiation process completed
4	Remote_Fault	RO RC SWC LH	0x0	1'b0: no remote fault condition detected 1'b1: remote fault condition detected
3	Autoneg_Ability	RO	0x1	1'b0: PHY not able to perform Auto-negotiation 1'b1: PHY able to perform Auto-negotiation
2	Link_Status	RO LL SWC	0x0	Link status 1'b0: Link is down 1'b1: Link is up
1	Reserved	RO	0x0	always 0
0	Extended_Capability	RO	0x1	To indicate whether support EXTended registers, to access from address register MII 0x1E and data register MII 0x1F 1'b0: Not supported 1'b1: Supported

6.6.3. Sds Identification Register1 (0x02)

Table 97. Sds Identification Register1 (0x02)

Bit	Symbol	Access	Default	Description
15:0	Phy_Id	RO	0x0	Bits 3 to 18 of the Organizationally Unique Identifier

6.6.4. Sds Identification Register2 (0x03)

Table 98. Sds Identification Register2 (0x03)

Bit	Symbol	Access	Default	Description
15:10	Phy_Id	RO	0x0	Bits 19 to 24 of the Organizationally Unique Identifier
9:4	Type_No	RO	0x11	6 bits manufacturer's type number
3:0	Revision_No	RO	0xa	4 bits manufacturer's revision number

6.6.5. Auto-Negotiation Advertisement (0x04)

Table 99. Auto-Negotiation Advertisement (0x04)

Bit	Symbol	Access	Default	Description
-----	--------	--------	---------	-------------

15	NEXT_Page	RW	0x0	Not used. YT8521S SGMII and 1000BASE-X autoneg doesn't support NEXT page.
14	Ack	RO	0x0	Always 0
13:12	Remote_Fault	RO	0x0	Always 0
11:9	Reserved	RO	0x0	Reserved
8	Asymmetric_Pause	RW	0x1	Asymmetric_Pause ability.
7	Pause	RW	0x1	Pause ability.
6	Half_duplex	RW	0x0	Half duplex ability
5	Full_duplex	RW	0x1	Full duplex ability
4:0	Reserved	RO	0x0	Reserved

6.6.6. Auto-Negotiation Link Partner Ability (0x05)

Table 100. Auto-Negotiation Link Partner Ability (0x05)

Bit	Symbol	Access	Default	Description
15	NEXT Page	RO SWC	0x0	NEXT page. Received Code Word Bit 15
14	ACK	RO SWC	0x0	Acknowledge. Received Code Word Bit 14
13:12	REMOTE_FAULT	RO SWC	0x0	Remote Fault. Received Code Word Bit 13:12
11:9	RESERVED	RO	0x0	Reserved. Received Code Word Bit 11:9
8:7	PAUSE	RO SWC	0x0	Pause. Received Code Word Bit 8:7
6	HALF_DUPLEX	RO SWC	0x0	Half duplex. Received Code Word Bit 6
5	FULL_DUPLEX	RO SWC	0x0	Full duplex. Received Code Word Bit 5
4:0	RESERVED	RO	0x0	Reserved. Received Code Word Bit 4:0

6.6.7. Auto-Negotiation Expansion Register (0x06)

Table 101. Auto-Negotiation Expansion Register (0x06)

Bit	Symbol	Access	Default	Description
15:3	Reserved	RO	0x0	Reserved
2	Local NEXT Page able	RO	0x0	1 = Local Device supports NEXT Page 0 = Local Device does not support Next Page
1	Page received	RO RC LH	0x0	1 = A new page is received
0	Reserved	RO	0x0	Reserved

6.6.8. Auto-Negotiation NEXT Page Register (0x07)

Table 102. Auto-Negotiation NEXT Page Register (0x07)

Bit	Symbol	Access	Default	Description
15:0	NEXT Page	RO	0x0	always be 0

6.6.9. Auto-Negotiation Link Partner Received NEXT Page Register (0x08)

Table 103. Auto-Negotiation Link Partner Received NEXT Page Register (0x08)

Bit	Symbol	Access	Default	Description
15:0	Link Partner NEXT Page	RO	0x0	always be 0

6.6.10. Extended status register (0x0F)

Table 104. Extended status register (0x0F)

Bit	Symbol	Access	Default	Description
15	1000BASE-X Full Duplex	RO	0x1	1 = PHY supports 1000BASE-X Full Duplex
14	1000BASE-X Half Duplex	RO	0x0	1 = PHY supports 1000BASE-X Half Duplex.
13	1000BASE-T Full Duplex	RO	0x0	1 = PHY supports 1000BASE-T Full Duplex
12	1000BASE-T Half Duplex	RO	0x0	1 = PHY supports 1000BASE-T Half Duplex
11:0	Reserved	RO	0x0	Always 0

6.6.11. Sds Specific Status Register (0x11)

Table 105. Sds Specific Status Register (0x11)

Bit	Symbol	Access	Default	Description
15:14	Speed_mode	RO	0x0	When SerDes works as SGMII MAC, if Auto-Negotiation is enabled, the speed_mode is sourced from Auto-Negotiation process with SGMII PHY, otherwise, it's from SDS MII 0x0 Speed_Selection; When SerDes works as SGMII PHY, it equals to the UTP speed mode; When SerDes works as 1000BASE-X, it equals to 10; When SerDes works as 100BASE-FX, it equals to 01. Refer to SDS MII 0x11 bit5:4 for SerDes' working mode.
13	Duplex	RO	0x0	When SerDes works as SGMII MAC, if Auto-Negotiation is enabled, the duplex is sourced from Auto-Negotiation process with SGMII PHY, otherwise, it's from SDS MII 0x0 Duplex_Mode; When SerDes works as SGMII PHY, it equals to the UTP duplex mode; When SerDes works as 1000BASE-X, it's the result of 1000BASE-X half/full priority resolution function; When SerDes works as 100BASE-FX, it equals to 1. Refer to SDS MII 0x11 bit[5:4] for SerDes' working mode.
12:11	Pause	RO	0x0	Pause to mac
10	Link status real-time	RO	0x0	1 = SGMII Link up 0 = SGMII link down
9	Rx_lpi_active	RO	0x0	rx lpi is active
8	Duplex_error	RO	0x0	realtime duplex error
7	En_flowctrl_rx	RO	0x0	realtime en_flowctrl_rx
6	En_flowctrl_tx	RO	0x0	realtime en_flowctrl_tx
5:4	Ser_mode_cfg	RO	0x0	realtime serdes working mode, 00: SGMII MAC; 01: SGMII PHY; 10: 1000BASE-X; 11: 100BASE-FX.

3:1	Xmit	RO	0x0	realtime transmit statemachine, 001: Xmit Idle; 010: Xmit Config; 100: Xmit Data.
0	Syncstatus	RO	0x0	realtime SerDes PCS sync status

6.6.12. 100BASE-FX Cfg (0x14)

Table 106. 100BASE-FX Cfg (0x14)

Bit	Symbol	Access	Default	Description
15	Force_sg_status	RW	0x0	Force sds linkup
14	Duplex_to_mac_100fx	RW	0x1	duplex setting to mac in 100BASE-FX mode
13:12	Pause_to_mac_100fx	RO	0x3	Pause setting to mac in 100BASE-FX mode
11:0	Reserved	RO	0x0	Reserved

6.6.13. Receive Err Counter (0x15)

Table 107. Receive Err Counter (0x15)

Bit	Symbol	Access	Default	Description
15:0	error_counter_rx	RO SWC	0x0	This counter increase by 1 at the 1st rising of RX_ER when RX_DV is 1. The counter will hold at maximum 16'hFFFF and not roll over.

6.6.14. Link Fail Counter (0x16)

Table 108. Link Fail Counter (0x16)

Bit	Symbol	Access	Default	Description
15:8	Reserved	RO	0x0	Reserved
7:0	Link_fail_cnt	RO RC SWC	0x0	link fail counter

6.7. SDS EXT Register

6.7.1. Pkgen Cfg1 (EXT_0x38)

Table 109. Pkgen Cfg1 (EXT_0x38)

Bit	Symbol	Access	Default	Description
15:13	Reserved	RW	0x0	Reserved
12	En_pkgen_da_sa	RW	0x0	1: set the DA/SA of the packet generated by pkg_gen in SerDes to a programmed value; For DA, if SDS EXT 0x38 bit11 is 1, the DA is set to broadcast address FF-FF-FF-FF-FF-FF; else, the DA is set to fix value, the highest 5 Bytes are 00-00-00-00-00, and the lowest 1 Byte is programmed by SDS EXT 0x3A bit[15:8]. For SA, the highest 5 Bytes are 00-00-00-00-00, and the lowest 1 Byte is programmed by SDS EXT 0x3A bit[7:0]. 0: the DA/SA is not programmed value
11	Pkgen_brdcst	RW	0x0	Valid when SDS EXT 0x38 bit12 is 1.

				1: set the DA to broadcast address FF-FF-FF-FF-FF-FF 0: set the DA to a fixed programmed value.
10	Pkgchk_txsrc_sel	RW	0x0	1'b1: the package checker on SerDes TX side will check the tx data generated by pkg_gen; 1'b0: the package checker on SerDes TX side will check the tx data of SerDes GMII.
9:0	Reserved	RW	0x1ff	Reserved

6.7.2. Pkgen Cfg3 (EXT_0x3A)

Table 110. Pkgen Cfg3 (EXT_0x3A)

Bit	Symbol	Access	Default	Description
15:8	Pkgen_da	RW	0x0	Lowest 8 bits of DA, others is zero. Refer to SDS EXT 0x38 bit[12] for detail.
7:0	Pkgen_sa	RW	0x0	Lowest 8 bits of SA, others is zero. Refer to SDS EXT 0x38 bit[12] for detail.

6.7.3. Pkg Cfg0 (EXT_0x1A0)

Table 111. Pkg Cfg0 (EXT_0x1A0)

Bit	Symbol	Access	Default	Description
15	Pkg_chk_en	RW	0x0	1: to enable SerDes RX/TX package checker. RX checker checks the SerDes GMII RX data; TX checker checks the SerDes GMII TX data.
14	Pkg_en_gate	RW	0x1	1: to enable gate all the clocks to package self-test module when bit15 pkg_chk_en is 0, bit13 bp_pkg_gen is 1 and bit12 pkg_gen_en is 0; 0: not gate the clocks.
13	Bp_pkg_gen	RW	0x1	1: normal mode, to send GMII TX data from upstream MAC; 0: test mode, to send out the GMII data generated by pkg_gen module.
12	Pkg_gen_en	RW SC	0x0	1: to enable pkg_gen generating GMII packages. But, the data will only be sent to transceiver when Bit13 bp_pkg_gen is 1'b0. If pkg_burst_size is 0, continuous packages will be generated and will be stopped only when pkg_gen_en is set to 0; Otherwise, after the expected packages are generated, pkg_gen will stop, pkg_gen_en will be self-cleared.
11:8	Pkg_prm_lth	RW	0x8	The preamble length of the generated packages, in Byte unit. Pkg_gen function only support >=2 Byte preamble length. Values smaller than 2 will be ignored by the pkg_gen module.
7:4	Pkg_ipg_lth	RW	0xd	The IPG of the generated packages, in Byte unit. Pkg_gen function only support >=2 Byte preamble length. Values smaller than 2 will be ignored by the pkg_gen module.
3	Reserved	RW	0x0	Reserved
2	Pkg_corrupt_crc	RW	0x0	1: to make pkg_gen to send out CRC error packages.

1:0	Pkg_payload	RW	0x0	Control the payload of the generated packages. 00: increased Byte payload; 01: random payload; 10: fix pattern 0x5AA55AA5... 11: reserved.
-----	-------------	----	-----	--

6.7.4. Pkg Cfg1 (EXT_0x1A1)

Table 112. Pkg Cfg1 (EXT_0x1A1)

Bit	Symbol	Access	Default	Description
15:0	Pkg_length	RW	0x40	To set the length of the generated packages.

6.7.5. Pkg Cfg2 (EXT_0x1A2)

Table 113. Pkg Cfg2 (EXT_0x1A2)

Bit	Symbol	Access	Default	Description
15:0	Pkg_burst_size	RW	0x0	To set the number of packages in a burst of package generation.

6.7.6. Pkg Rx Valid0 (EXT_0x1A3)

Table 114. Pkg Rx Valid0 (EXT_0x1A3)

Bit	Symbol	Access	Default	Description
15:0	Pkg_ib_valid_high	RO RC	0x0	Pkg_ib_valid[31:16], pkg_ib_valid is the number of RX packages from wire whose CRC are good and length are >=64Byte and <=1518Byte.

6.7.7. Pkg Rx Valid1 (EXT_0x1A4)

Table 115. Pkg Rx Valid1 (EXT_0x1A4)

Bit	Symbol	Access	Default	Description
15:0	Pkg_ib_valid_low	RO RC	0x0	Pkg_ib_valid[15:0], pkg_ib_valid is the number of RX packages from wire whose CRC are good and length are >=64Byte and <=1518Byte.

6.7.8. Pkg Rx Os0 (EXT_0x1A5)

Table 116. Pkg Rx Os0 (EXT_0x1A5)

Bit	Symbol	Access	Default	Description
15:0	Pkg_ib_os_good_high	RO RC	0x0	Pkg_ib_os_good[31:16], pkg_ib_os_good is the number of RX packages from wire whose CRC are good and length are >1518Byte.

6.7.9. Pkg Rx Os1 (EXT_0x1A6)

Table 117. Pkg Rx Os1 (EXT_0x1A6)

Bit	Symbol	Access	Default	Description
15:0	Pkg_ib_os_good_low	RO RC	0x0	Pkg_ib_os_good[15:0], pkg_ib_os_good is the number of RX packages from wire whose CRC

				are good and length are >1518Byte.
--	--	--	--	------------------------------------

6.7.10. Pkg Rx Us0 (EXT_0x1A7)

Table 118. Pkg Rx Us0 (EXT_0x1A7)

Bit	Symbol	Access	Default	Description
15:0	Pkg_ib_us_good_high	RO RC	0x0	Pkg_ib_us_good[31:16], pkg_ib_us_good is the number of RX packages from wire whose CRC are good and length are <64Byte.

6.7.11. Pkg Rx Us1 (EXT_0x1A8)

Table 119. Pkg Rx Us1 (EXT_0x1A8)

Bit	Symbol	Access	Default	Description
15:0	Pkg_ib_us_good_low	RO RC	0x0	Pkg_ib_us_good[15:0], pkg_ib_us_good is the number of RX packages from wire whose CRC are good and length are >1518Byte.

6.7.12. Pkg Rx Err (EXT_0x1A9)

Table 120. Pkg Rx Err (EXT_0x1A9)

Bit	Symbol	Access	Default	Description
15:0	Pkg_ib_err	RO RC	0x0	pkg_ib_err is the number of RX packages from wire whose CRC are wrong and length are >=64Byte, <=1518Byte.

6.7.13. Pkg Rx Os Bad (EXT_0x1AA)

Table 121. Pkg Rx Os Bad (EXT_0x1AA)

Bit	Symbol	Access	Default	Description
15:0	Pkg_ib_os_bad	RO RC	0x0	pkg_ib_os_bad is the number of RX packages from wire whose CRC are wrong and length are >=1518Byte.

6.7.14. Pkg Rx Fragment (EXT_0x1AB)

Table 122. Pkg Rx Fragment (EXT_0x1AB)

Bit	Symbol	Access	Default	Description
15:0	Pkg_ib_frag	RO RC	0x0	pkg_ib_frag is the number of RX packages from wire whose length are <64Byte.

6.7.15. Pkg Rx Nosfd (EXT_0x1AC)

Table 123. Pkg Rx Nosfd (EXT_0x1AC)

Bit	Symbol	Access	Default	Description
15:0	Pkg_ib_nosfd	RO RC	0x0	pkg_ib_nosfd is the number of RX packages from wire whose SFD is missed.

6.7.16. Pkg Tx Valid0 (EXT_0x1AD)**Table 124. Pkg Tx Valid0 (EXT_0x1AD)**

Bit	Symbol	Access	Default	Description
15:0	Pkg_ob_valid_high	RO RC	0x0	Pkg_ob_valid[31:16], pkg_ob_valid is the number of TX packages from GMII whose CRC are good and length are ≥ 64 Byte and ≤ 1518 Byte.

6.7.17. Pkg Tx Valid1 (EXT_0x1AE)**Table 125. Pkg Tx Valid1 (EXT_0x1AE)**

Bit	Symbol	Access	Default	Description
15:0	Pkg_ob_valid_low	RO RC	0x0	Pkg_ob_valid[15:0], pkg_ob_valid is the number of TX packages from GMII whose CRC are good and length are ≥ 64 Byte and ≤ 1518 Byte.

6.7.18. Pkg Tx Os0 (EXT_0x1AF)**Table 126. Pkg Tx Os0 (EXT_0x1AF)**

Bit	Symbol	Access	Default	Description
15:0	Pkg_ob_os_good_high	RO RC	0x0	Pkg_ob_os_good[31:0], pkg_ob_os_good is the number of TX packages from GMII whose CRC are good and length are > 1518 Byte.

6.7.19. Pkg Tx Os1 (EXT_0x1B0)**Table 127. Pkg Tx Os1 (EXT_0x1B0)**

Bit	Symbol	Access	Default	Description
15:0	Pkg_ob_os_good_low	RO RC	0x0	Pkg_ob_os_good[15:0], pkg_ob_os_good is the number of TX packages from GMII whose CRC are good and length are > 1518 Byte.

6.7.20. Pkg Tx Us0 (EXT_0x1B1)**Table 128. Pkg Tx Us0 (EXT_0x1B1)**

Bit	Symbol	Access	Default	Description
15:0	Pkg_ob_us_good_high	RO RC	0x0	Pkg_ob_us_good[31:0], pkg_ob_us_good is the number of TX packages from GMII whose CRC are good and length are < 64 Byte.

6.7.21. Pkg Tx Us1 (EXT_0x1B2)**Table 129. Pkg Tx Us1 (EXT_0x1B2)**

Bit	Symbol	Access	Default	Description
15:0	Pkg_ob_us_good_low	RO RC	0x0	Pkg_ob_us_good[15:0], pkg_ob_us_good is the number of TX packages from GMII whose CRC are good and length are > 1518 Byte.

6.7.22. Pkg Tx Err (EXT_0x1B3)**Table 130. Pkg Tx Err (EXT_0x1B3)**

Bit	Symbol	Access	Default	Description
15:0	Pkg_ob_err	RO RC	0x0	pkg_ob_err is the number of TX packages from GMII whose CRC are wrong and length are ≥ 64 Byte, ≤ 1518 Byte.

6.7.23. Pkg Tx Os Bad (EXT_0x1B4)**Table 131. Pkg Tx Os Bad (EXT_0x1B4)**

Bit	Symbol	Access	Default	Description
15:0	Pkg_ob_os_bad	RO RC	0x0	pkg_ob_os_bad is the number of TX packages from GMII whose CRC are wrong and length are ≥ 1518 Byte.

6.7.24. Pkg Tx Fragment (EXT_0x1B5)**Table 132. Pkg Tx Fragment (EXT_0x1B5)**

Bit	Symbol	Access	Default	Description
15:0	Pkg_ob_frag	RO RC	0x0	pkg_ob_frag is the number of TX packages from GMII whose length are < 64 Byte.

6.7.25. Pkg Tx Nosfd (EXT_0x1B6)**Table 133. Pkg Tx Nosfd (EXT_0x1B6)**

Bit	Symbol	Access	Default	Description
15:0	Pkg_ob_nosfd	RO RC	0x0	pkg_ob_nosfd is the number of TX packages from GMII whose SFD is missed.

7. Power Requirements

Confidential

8. Timing and AC/DC Characteristics

8.1. DC Characteristics

8.2. AC Characteristics

8.2.1. SMI (MDC/MDIO) Interface Characteristics

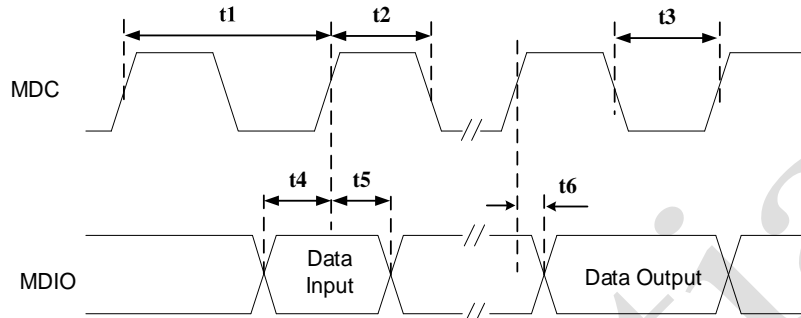


Figure 13. SMI (MDC/MDIO) Timing

Table 134. SMI (MDC/MDIO) Interface Characteristics

Symbol	Description	Min	Typ	Max	Units
t1	MDC Clock Period	80	-	-	ns
t2	MDC High Time	32	-	-	ns
t3	MDC Low Time	32	-	-	ns
t4	MDIO to MDC Rising Setup Time (Data Input)	10	-	-	ns
t5	MDIO to MDC Rising Hold Time (Data Input)	10	-	-	ns
t6	MDIO Valid from MDC rising edge (Data Output)	0	-	20	ns

8.3. Crystal Requirement

Table 135. Crystal Requirement

Symbol	Description	Min	Typ	Max	Unit
Fref	Parallel Resonant Crystal Reference Frequency	-	25	-	MHz
Fref Tolerance	Parallel Resonant Crystal Reference Frequency Tolerance	-50	-	50	ppm
Fref Duty Cycle	Reference Clock Input Duty Cycle	40	-	60	%
ESR	Equivalent Series Resistance	-	-	50	ohm
DL	Drive Level	-	-	0.5	mW
Vih	Crystal output high level	1.4	-	-	V
Vil	Crystal output low level	-	-	0.7	V

8.4. Oscillator/External Clock Requirement

Table 136. Oscillator/External Clock Requirement

Parameter	Min	Typ	Max	Unit
Frequency	-	25	-	MHz

Frequency tolerance	-50	-	50	PPM
Duty Cycle	40	-	60	%
Vih	1.4	-	AVDD33+0.3	V
Vil	-	-	0.7	V
Rise Time (10%~90%)	-	-	10	ns
Fall Time (10%~90%)	-	-	10	ns

Confidential

9. Thermal Resistance

Confidential

10. Mechanical Information

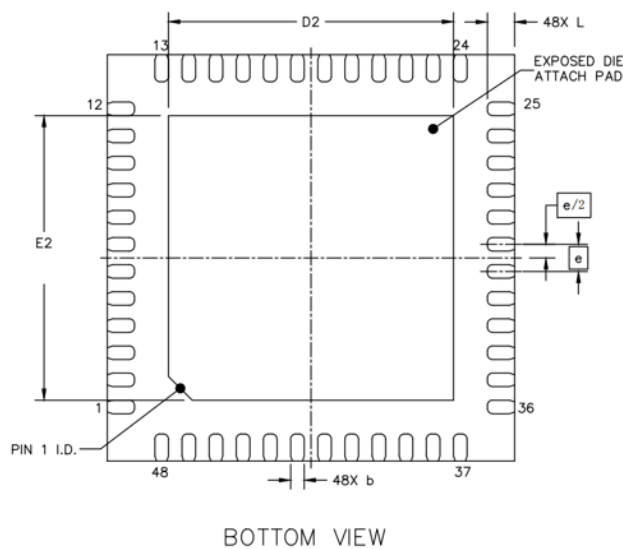
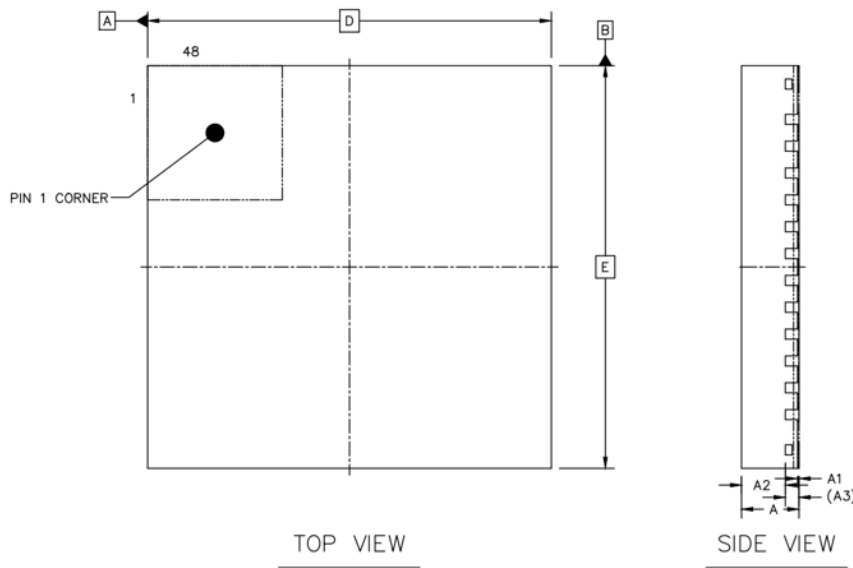


Table 137. Mechanical Dimensions

		SYMBOL	MIN	NOM	MAX
TOTAL THICKNESS		A	0.80	0.85	0.90
STAND OFF		A1	0	0.02	0.05
MOLD THICKNESS		A2	---	0.65	---
L/F THICKNESS		A3	0.203 REF		
LEAD WIDTH		b	0.15	0.20	0.25
BODY SIZE	X	D	6.00 BSC		
	Y	E	6.00 BSC		
LEAD PITCH		e	0.40 BSC		
EP SIZE	X	D2	4.10	4.30	4.50
	Y	E2	4.10	4.30	4.50
LEAD LENGTH		L	0.30	0.40	0.50

11. Ordering Information

Motorcomm offers a RoHS package that is compliant with RoHS.

Table 138. Ordering Information

Part Number	Grade	Package	Pack	Status	Operation Temp
YT8531SC	Consumer	QFN 48 6x6 mm			0 ~70°C
YT8531SH	Industrial	QFN 48 6x6 mm			-40 ~ 85°C

Confidential