

NOTES 注释:

1. MATERIAL 材料:

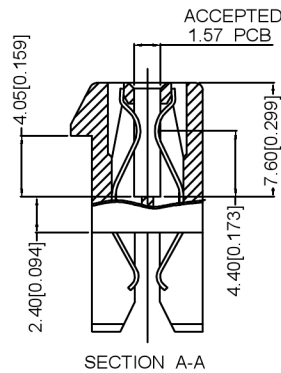
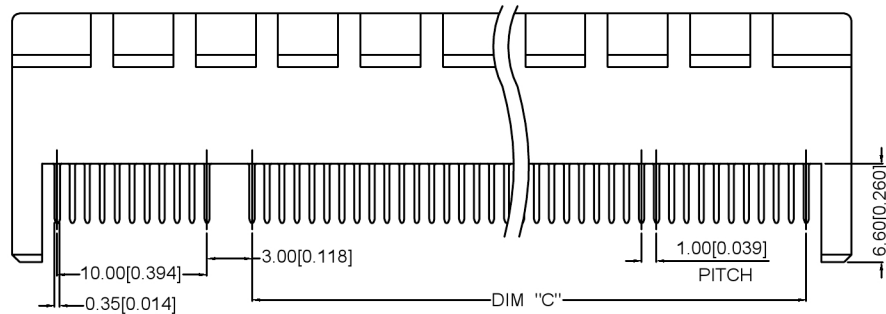
1.1 HOUSING 外壳: THERMOPLASTIC, HIGH TEMP., UL94V-0;
COLOR: SEE PART NO..

1.2 CONTACTS 触点: COPPER ALLOY.

2. FINISH 饰面:

2.1 CONTACT 触点:

SELECTEIVE GOLD PLATING ON CONTACT AREA.
100μ"MIN. MATTE TIN PLATING ON SOLDER TAILS
50μ" MIN. NICKEL UNDERPLATING OVERALL.



X3157 W S - XX - 9T V15

① ② ③ ④ ⑤ ⑥

① Series Number

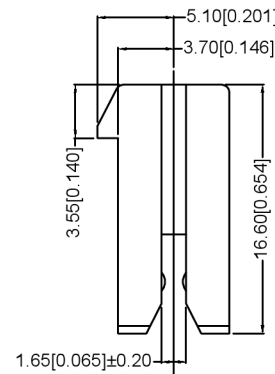
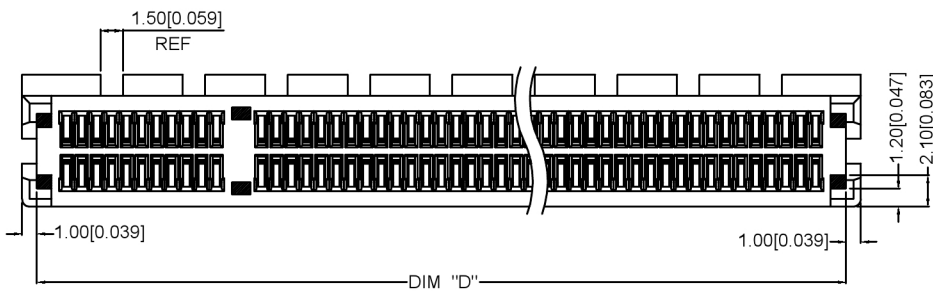
② Terminal form: W-Wafer

③ Welding Board Angle : Straddle

④ No. of Pins: 36~164 Pin

⑤ Plastic material: PA9T /PA46 UL94V-0

⑥ Contact Plating: V15-Gold 15u"
V30-Gold 30u"



DIMENSIONS				
POSITION	A±0.25	B±0.20	C±0.20	D±0.20
36	25.00	7.65	6.00	23.00
64	39.00	21.65	20.00	37.00
98	56.00	38.65	37.00	54.00
164	89.00	71.65	70.00	87.00

广东星坤科技股份有限公司

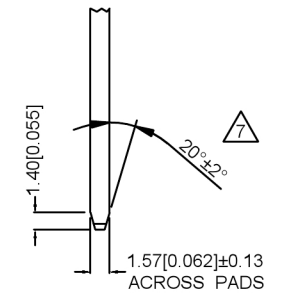
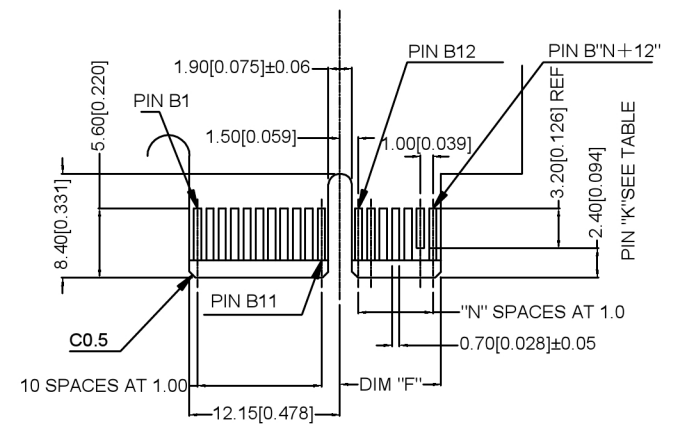
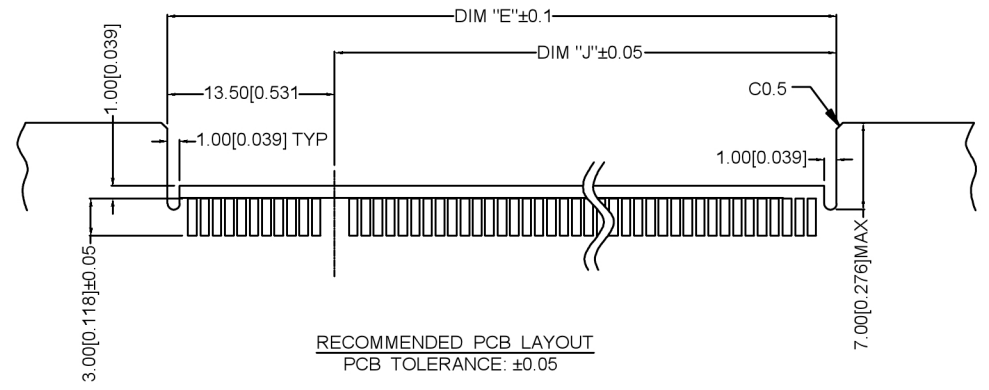
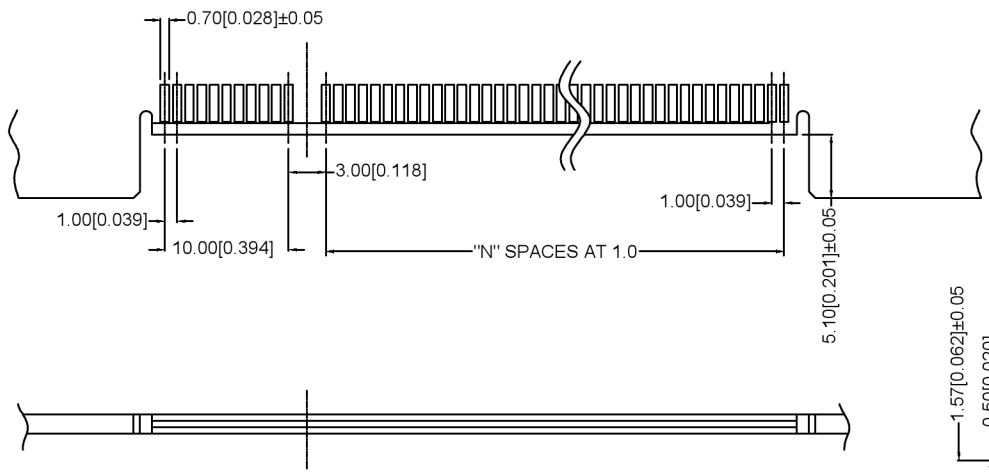
修改	日期
修改	日期
修改	日期
文件	工程草

MARK	DESCRIPTION	DATE	REVISED	APPROVED	UNSPECIFIED TOLERANCES
	REVISIONS				

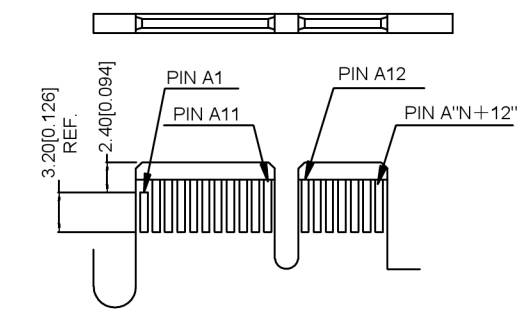


DSND	SCALE: N/A	MODEL TYPE:
DWN	VIEW:	PART NO.: X3157WS-XX-9TV15
CHKD	UNIT: mm/in	DWG NO.: X-X3157WS-XX-9TV15
APPD	SIZE: A4	WEIGHT
		SHEET
		REVISION
		1/1
		A0

XKB INDUSTRIAL PRECISION CO., LIMITED



← I/O PANEL DIRECTION
PRIMARY (COMPONENT) SIDE



SECONDARY (SOLDER) SIDE
PCI-E ADD-IN CARD EDGE-FINGER DIMENSION

6. NO TIE BAR PERMITTED FROM CARD EDGE TO LEADING EDGE OF PAD FOR PINS A1 AND "K"
CHAMFER EDGE MUST BE FREE OF CUTTING BURRS

DIMENSIONS					
POSITION	A	E	J	F	"K"
36	6	23	9.5	8.15	B17
64	20	37	23.5	22.15	B17,B31
98	37	54	40.5	39.15	B17,B31,B48
164	70	87	73.5	72.15	B17,B31,B48,B81

广东星坤科技股份有限公司

MARK	REVISIONS	DESCRIPTION	DATE	REVISED	APPROVED
Δ*		日期			
Δx		日期			
Δx		日期			
文件	工程	章			

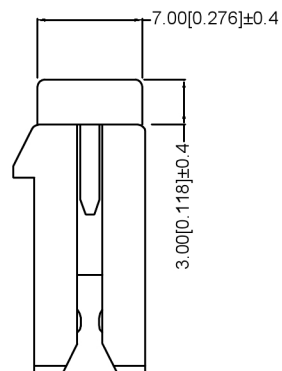
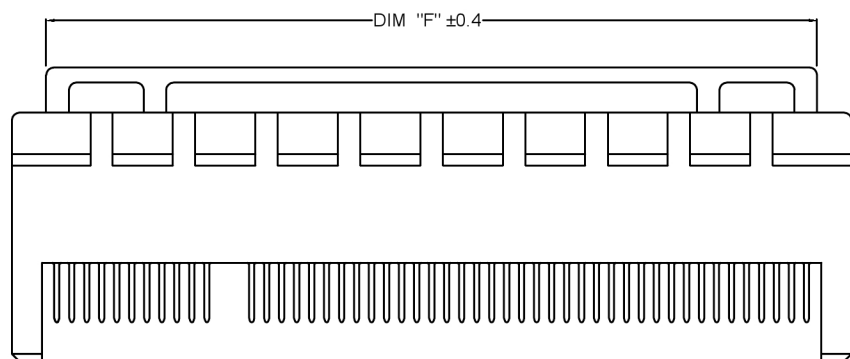
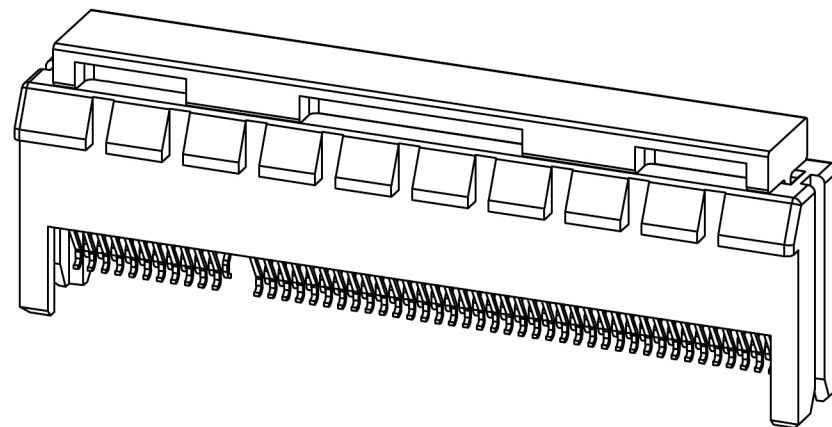
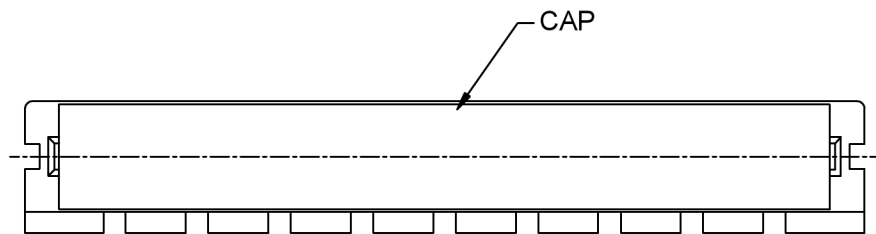
www.helloxkb.com www.helloxkb.cn www.xk-dg.cn

ANGLAR	±5°
L ≤ 4	±0.2
4 < L ≤ 16	±0.3
16 < L ≤ 63	±0.4
L > 63	±0.5
UNSPECIFIED TOLERANCES	



DSND		SCALE: N/A	MODEL TYPE:
DWN		VIEW:	PART NO.: X3157WS-XX-9TV15
CHKD		UNIT: mm/in	DWG NO.: X-X3157WS-XX-9TV15
APPD		SIZE: A4	WEIGHT SHEET REVISION
			1/1 A0

XKB INDUSTRIAL PRECISION CO., LIMITED



DIMENSIONS	
POSITION	F
36	20.4
64	34.4
98	51.4
164	84.4

ASSEMBLY WITH CAP CONDITION

广东星坤科技股份有限公司

DATE	日期
MARK	文件工程章

DESCRIPTION	DATE	REVISED	APPROVED	ANGLAR	±5°
				L ≤ 4	±0.2
				4 < L ≤ 16	±0.3
				16 < L ≤ 63	±0.4
				L > 63	±0.5
REVISIONS				UNSPECIFIED TOLERANCES	

www.helloxkb.com www.helloxkb.cn www.xk-dg.cn

XKIB

DSND	SCALE: N/A	MODEL TYPE:
DWN	VIEW:	PART NO.: X3157WS-XX-9TV15
CHKD	UNIT: mm/in	DWG NO.: X-X3157WS-XX-9TV15
APPD	SIZE: A4	WEIGHT SHEET REVISION
XKB INDUSTRIAL PRECISION CO., LIMITED		1/1 A0