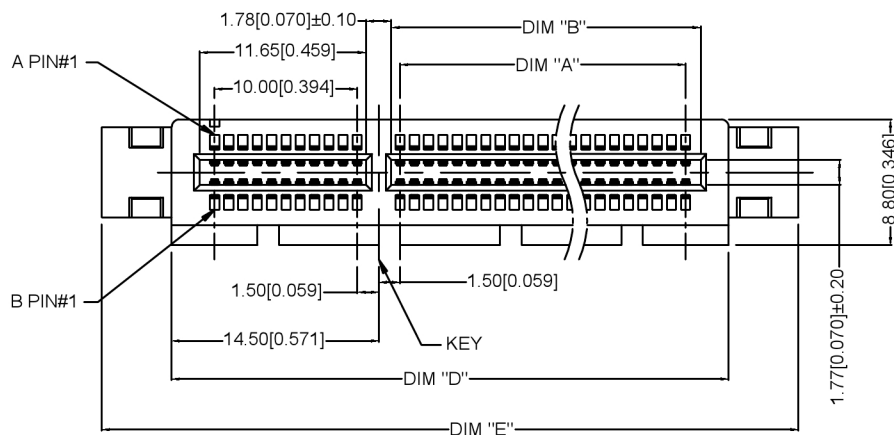


STRADDLE MOUNT WITH MOUNTING EAR TYPE

DIMENSIONS					
POSITION	A±0.20	B±0.15	C±0.20	D±0.25	E±0.30
36	6	7.65	12.30	25.00	34.8
64	20	21.65	26.30	39.00	48.8
98	37	38.65	43.30	56.00	65.8
164	70	71.65	76.30	89.00	98.8



NOTES 注释:

1. MATERIAL 材料:

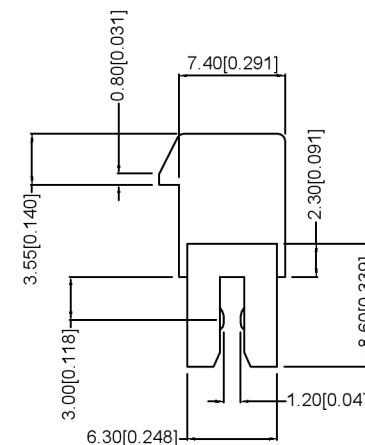
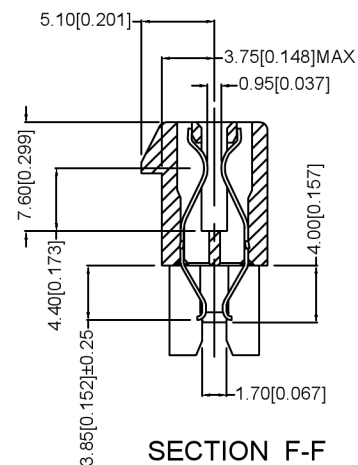
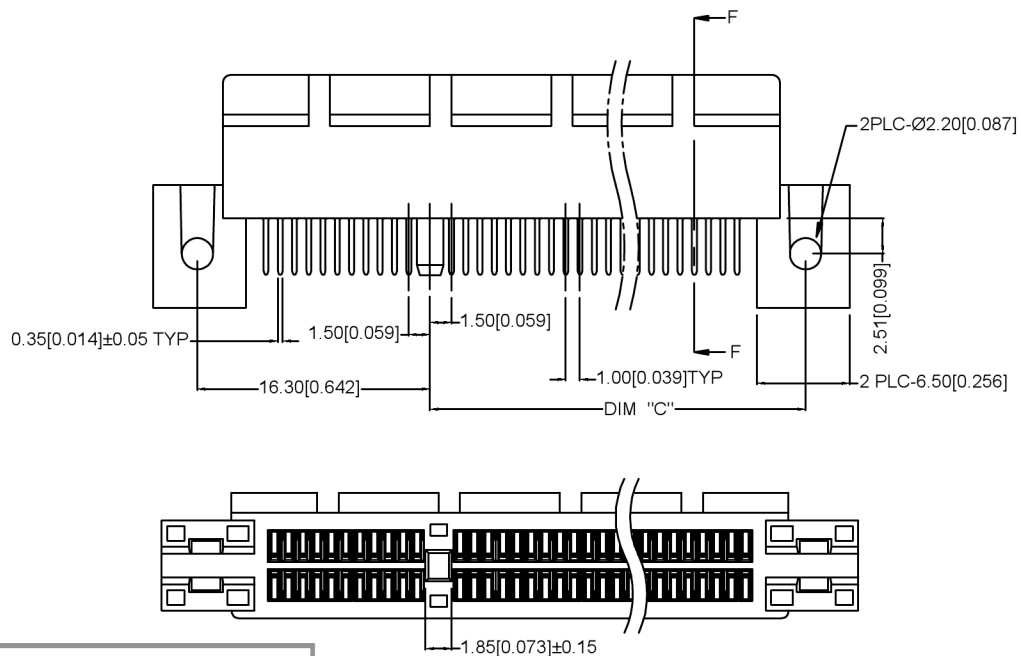
1.1 HOUSING 外壳: THERMOPLASTIC, HIGH TEMP., UL94V-0;
COLOR: BLACK.

1.2 CONTACTS 触点: COPPER ALLOY.

2. FINISH 饰面:

2.1 CONTACT 触点:

SELECTIVE GOLD PLATING ON CONTACT AREA.
100μ" MIN. MATTE TIN PLATING ON SOLDER TAILS,
50μ" MIN. NICKEL UNDERPLATING OVERALL.

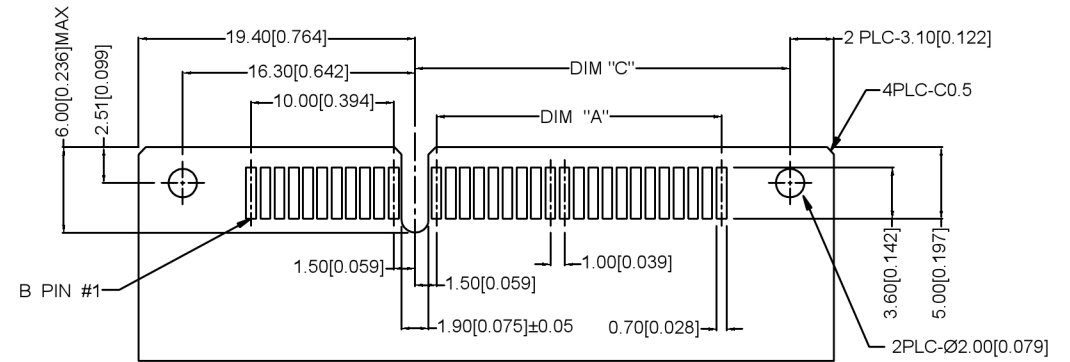
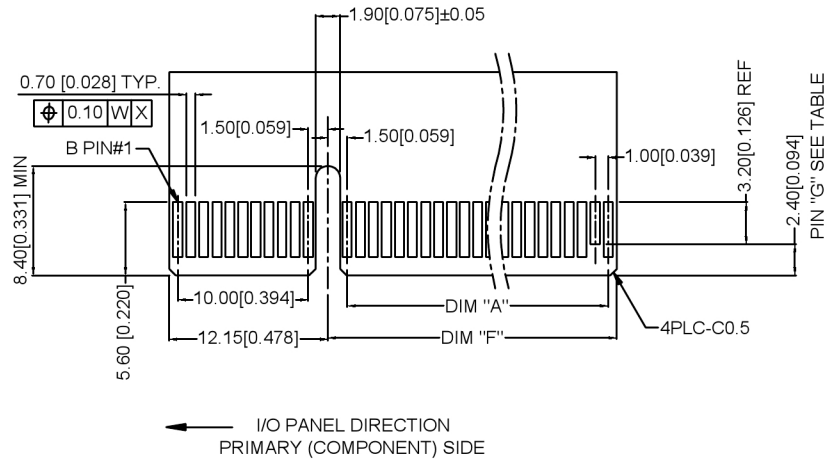


广东星坤科技股份有限公司

DATE	DATE	DATE	DATE	DATE	DATE	ANGLAR	±5°
ΔX	ΔX	ΔX	ΔX	ΔX	ΔX	L ≤ 4	±0.2
ΔX	ΔX	ΔX	ΔX	ΔX	ΔX	4 < L ≤ 16	±0.3
ΔX	ΔX	ΔX	ΔX	ΔX	ΔX	16 < L ≤ 63	±0.4
MARK	DESCRIPTION	DATE	REVISED	APPROVED	DATE	L > 63	±0.5
文件工程章						UNSPECIFIED TOLERANCES	
REVISIONS						XKB INDUSTRIAL PRECISION CO., LIMITED	
www.helloxkb.com www.helloxkb.cn www.xk-dg.cn						WEIGHT SHEET REVISION	
						1/1 A0	



DSND	SCALE: N/A	MODEL TYPE:
DWN	VIEW:	PART NO.: X3126WS-XX-9TV01
CHKD	UNIT: mm/in	DWG NO.: X-X3126WS-XX-9TV01
APPD	SIZE: A4	
XKB INDUSTRIAL PRECISION CO., LIMITED		WEIGHT SHEET REVISION
		1/1 A0

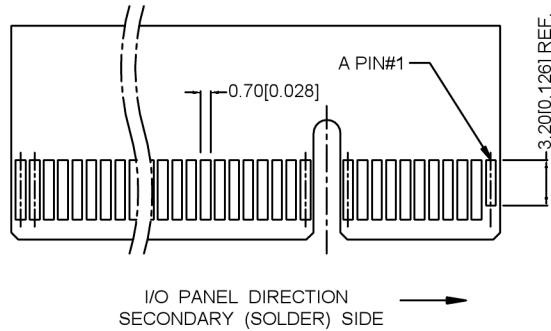
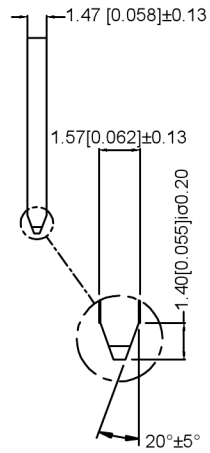


RECOMMENDED OF PCB DIMENSIONS
TOLERANCE: ±0.05

X3126 W S - XX - 9T V01

- ① ② ③ ④ ⑤ ⑥

- ① Series Number
- ② Terminal form: W-Wafer
- ③ Welding Board Angle : Straddle
- ④ No. of Pins: 36~164 Pin
- ⑤ Plastic material: PA9T/PA46 UL94V-0
- ⑥ Contact Plating: V01-Gold Flash
V15-Gold 15u"
V30-Gold 30u"



SCALE 2:1

DIMENSIONS				
POSITION	A	C	F	G
36	6	12.30	8.15	B PIN#17
64	20	26.30	22.15	B PIN#31
98	37	43.30	39.15	B PIN#48
164	70	76.30	72.15	B PIN#81

广东星坤科技股份有限公司

文件工程章

日期

MARK

DESCRIPTION

DATE

REVISED

APPROVED

REVISIONS

www.helloxkb.com www.helloxkb.cn www.xk-dg.cn

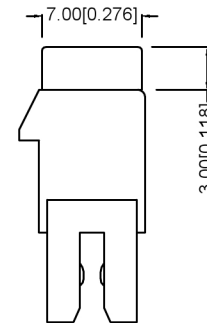
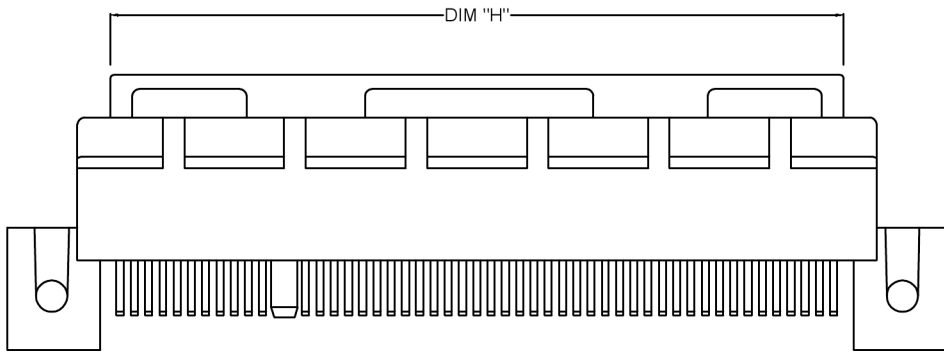
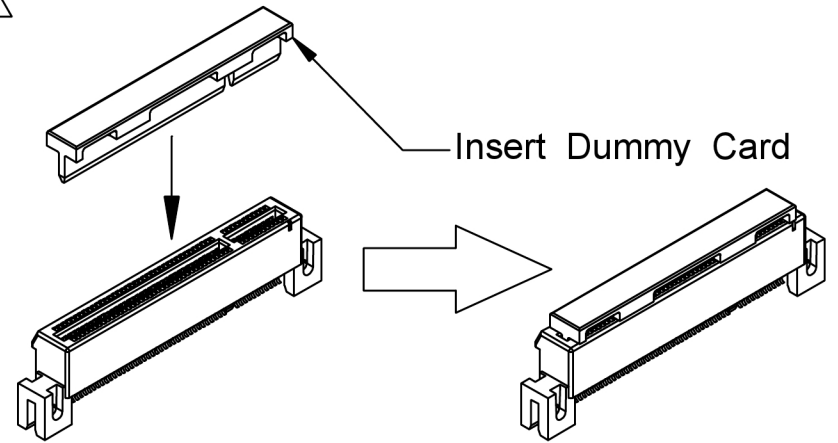
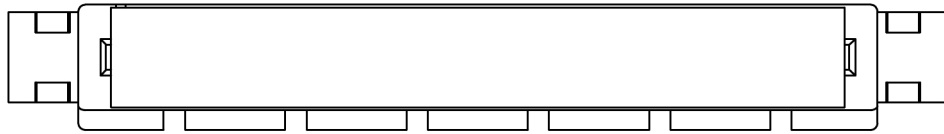
ANGLAR	±5°
L ≤ 4	±0.2
4 < L ≤ 16	±0.3
16 < L ≤ 63	±0.4
L > 63	±0.5
UNSPECIFIED TOLERANCES	



DSND		SCALE: N/A	MODEL TYPE:
DWN		VIEW:	PART NO.: X3126WS-XX-9TV01
CHKD		UNIT: mm/in	DWG NO.: X-X3126WS-XX-9TV01
APPD		SIZE: A4	WEIGHT SHEET REVISION
			1/1 A0

XKB INDUSTRIAL PRECISION CO., LIMITED

E



DIMENSIONS	
POSITION	H
36	20.4
64	34.4
98	51.4
164	84.4

广东星坤科技股份有限公司

Δ*	日期
Δ*	日期
Δ*	日期

文件工程章

MARK	DESCRIPTION	DATE	REVISED	APPROVED	ANGLAR	±5°
					L ≤ 4	±0.2
					4 < L ≤ 16	±0.3
					16 < L ≤ 63	±0.4
					L > 63	±0.5
REVISIONS					UNSPECIFIED TOLERANCES	



DSND	SCALE: N/A
DWN	VIEW:
CHKD	UNIT: mm/in
APPD	SIZE: A4

MODEL TYPE:		
PART NO.: X3126WS-XX-9TV01		
DWG NO.: X-X3126WS-XX-9TV01		
WEIGHT	SHEET	REVISION
	1/1	A0

XKB INDUSTRIAL PRECISION CO., LIMITED