

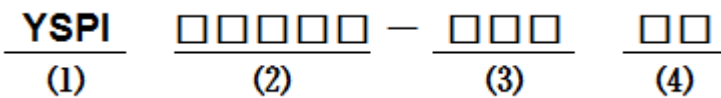
**■ Features**

- Molding Inductor.
- Low Profile,Low Temp.
- Large Current(Over 15A).
- Customize For Different Need.
- Operating temperature:-40°C ~ +125°C.

**■ Applications**

- General Electronic.
- Video Device,TV,TFT.
- Power Module for PC.
- NB/Lap Top Computer.
- Server,VGA Card/Module.

**■ Product Identification**



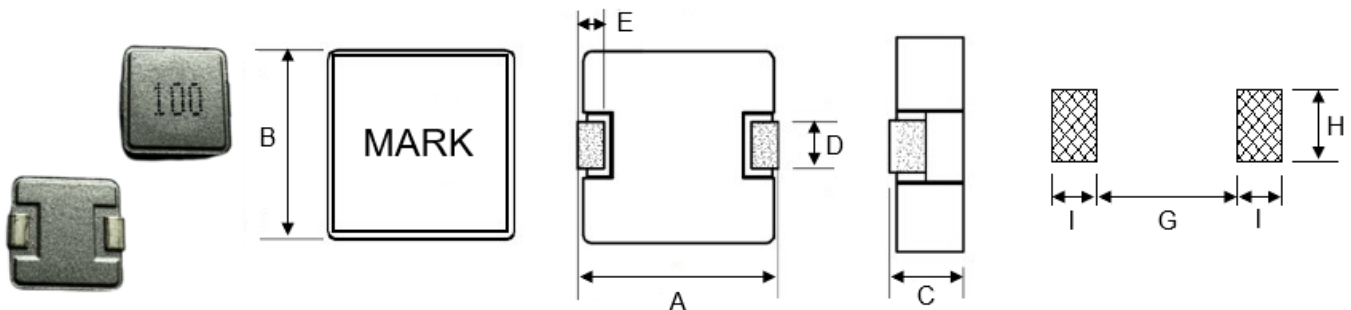
(1) : Type

(2) : Dimensions

(3) : Inductance value

(4) : Inductance Tolerance : N=±30%,M=±20%

**■ Shapes and Dimensions (Unit: mm)**



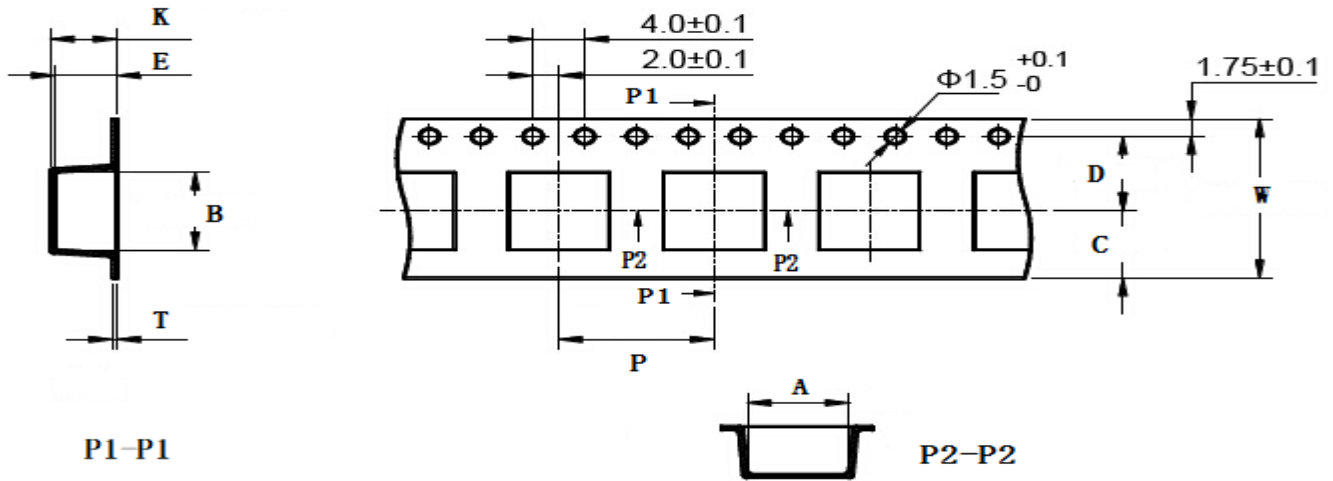
TYPE	A	B	C Max.	D	E	G Ref.	H Ref.	I Ref.
YSPI1030Y	10.5±1.0	10.3±0.3	3.0	2.8±0.3 Flatten OR 3.0±0.3	2.0±0.5	6.0	4.0	3.5

## ■ YSPI1030Y Series

Part Number	Inductance (uH) @100KHz	DC Resistance (mΩ)		Heat Rating Current (A)	Saturation Current (A)
		Typ.	Max.		
YSPI1030Y-R12M	0.12	0.60	0.78	40.0	62.0
YSPI1030Y-R22M	0.22	0.80	1.05	24.0	40.0
YSPI1030Y-R36M	0.36	1.10	1.40	20.0	35.0
YSPI1030Y-R56M	0.56	2.60	3.30	18.0	30.0
YSPI1030Y-R68M	0.68	2.60	3.30	16.0	20.0
YSPI1030Y-1R0M	1.0	4.50	5.50	9.0	16.0
YSPI1030Y-2R2M	2.2	11.0	13.5	7.0	11.0
YSPI1030Y-3R3M	3.3	13.0	16.0	6.0	10.0
YSPI1030Y-4R7M	4.7	19.0	23.0	5.5	8.0
YSPI1030Y-6R8M	6.8	24.0	28.0	5.0	7.5
YSPI1030Y-8R2M	8.2	44.0	50.0	4.5	7.0
YSPI1030Y-100M	10	58.0	66.0	4.0	6.0

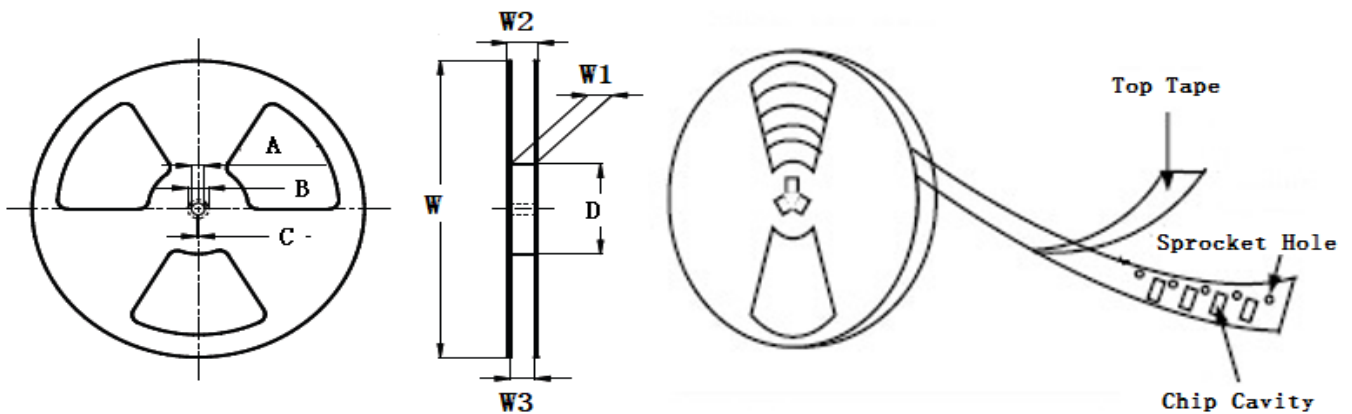
- ※ The saturation current value is the DC current value having inductance decrease down to 30%.(at 20°C)
- ※ The temperature rise current value is the DC current value having temperature increase up to 40°C. (at 20°C)
- ※ The rated current is the DC current value that satisfies both of current value saturation current value and temperature rise current value.

**■ Taping Dimensions(Unit:mm)**



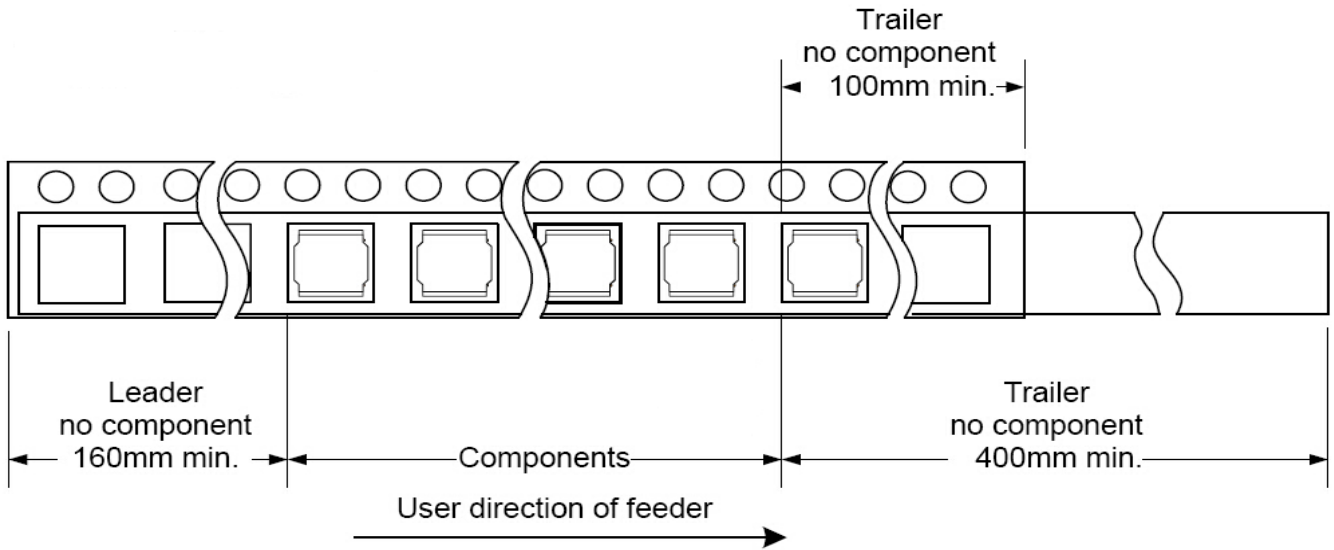
TYPE	W	A	B	C	D	E	P	K Ref	T	MPQ
YSPI1030Y	24±0.3	10.6±0.1	11.45±0.1	10.75	11.5±0.1	4.4±0.1	16±0.1	4.2	0.40±0.05	1000

**■ Reel Dimensions(Unit:mm)**

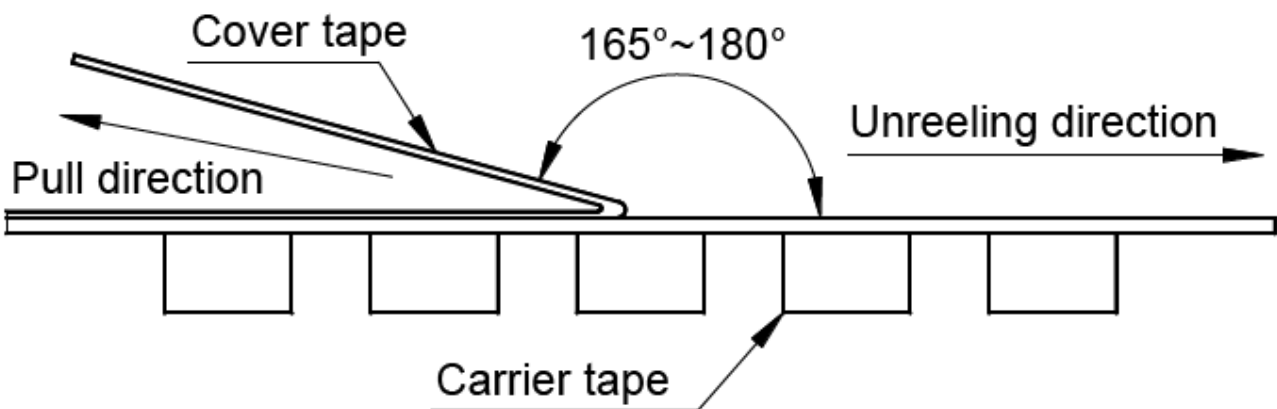


TYPE	W	W1	W2	W3	A	B	C	D
YSPI1030Y	330±2.0	24.4±1.5	30.4MAX	23.9 Min	13.0±0.50	21.0±0.80	2.0±0.50	100 Min

**Direction of rolling**



**Cover tape peel off condition**



Cover tape peel force shall be 0.1N to 1.3N.

Reference peel speed 300±10mm/min.