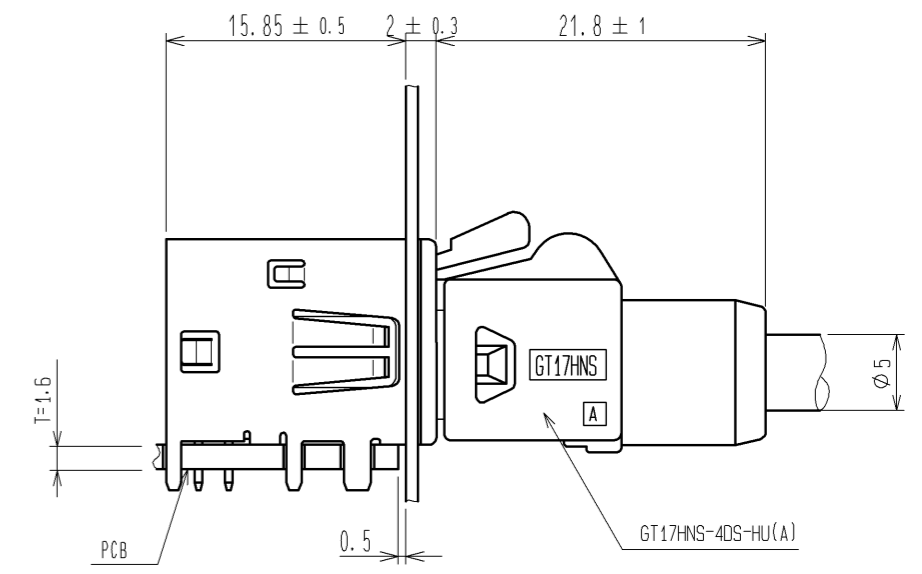
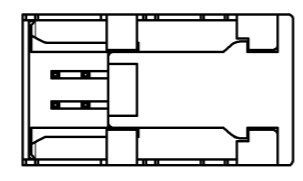
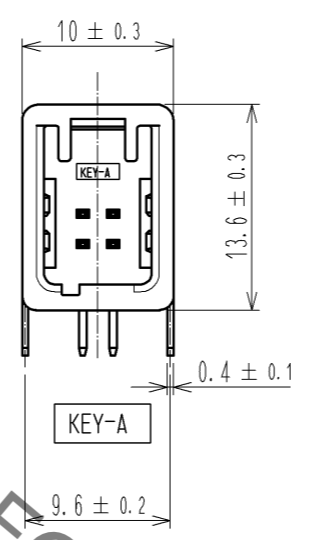
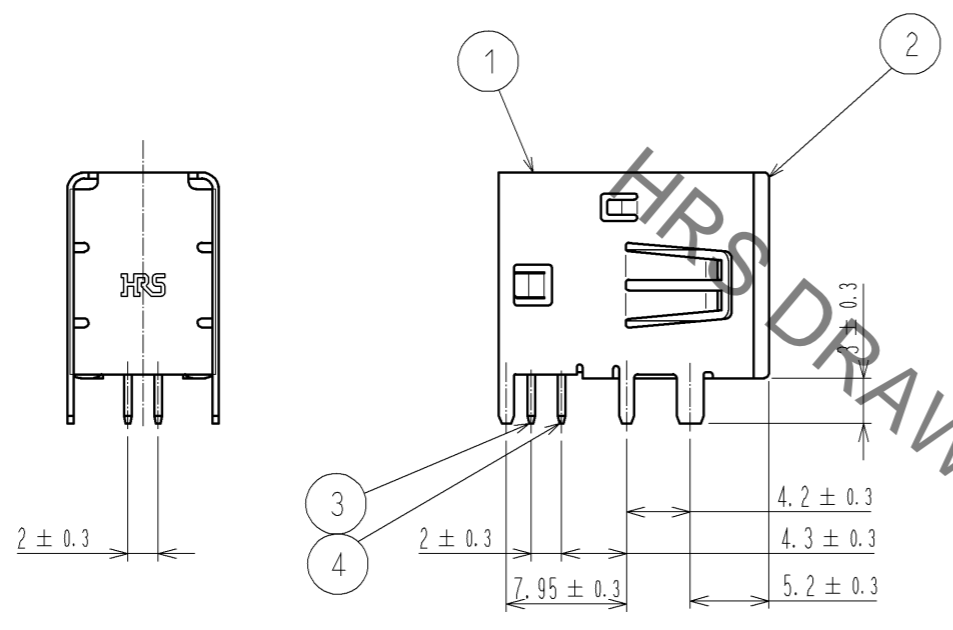
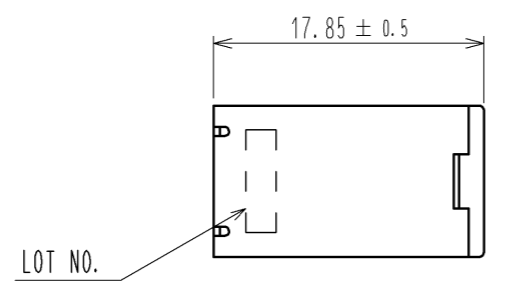
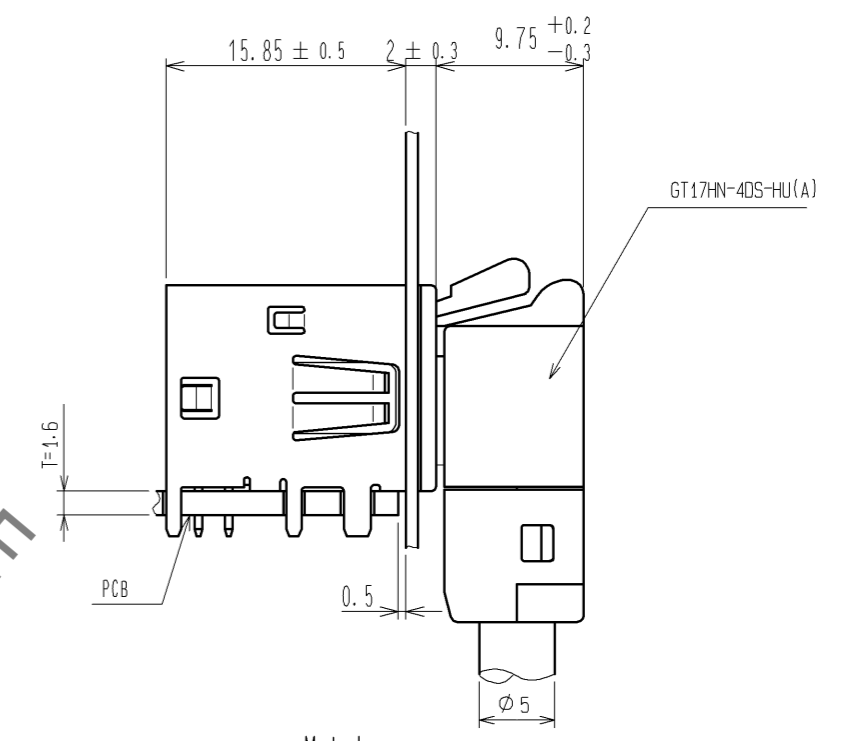


Oct.1.2019 Copyright 2019 HIROSE ELECTRIC CO., LTD. All Rights Reserved.  
 In case of consideration for using Automotive equipment / device which demand high reliability, kindly contact our sales window correspondents.

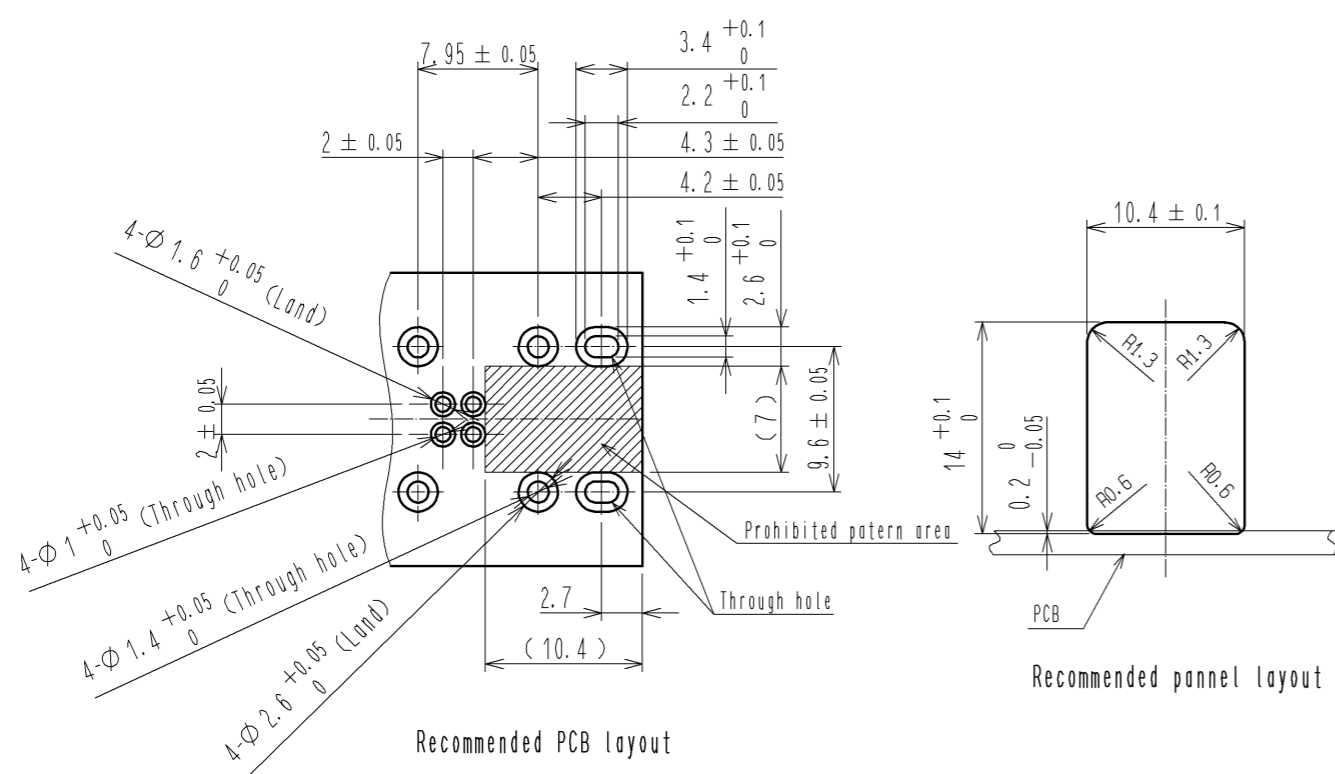
ELV, RoHS Compliant



Mated connector



Mated connector

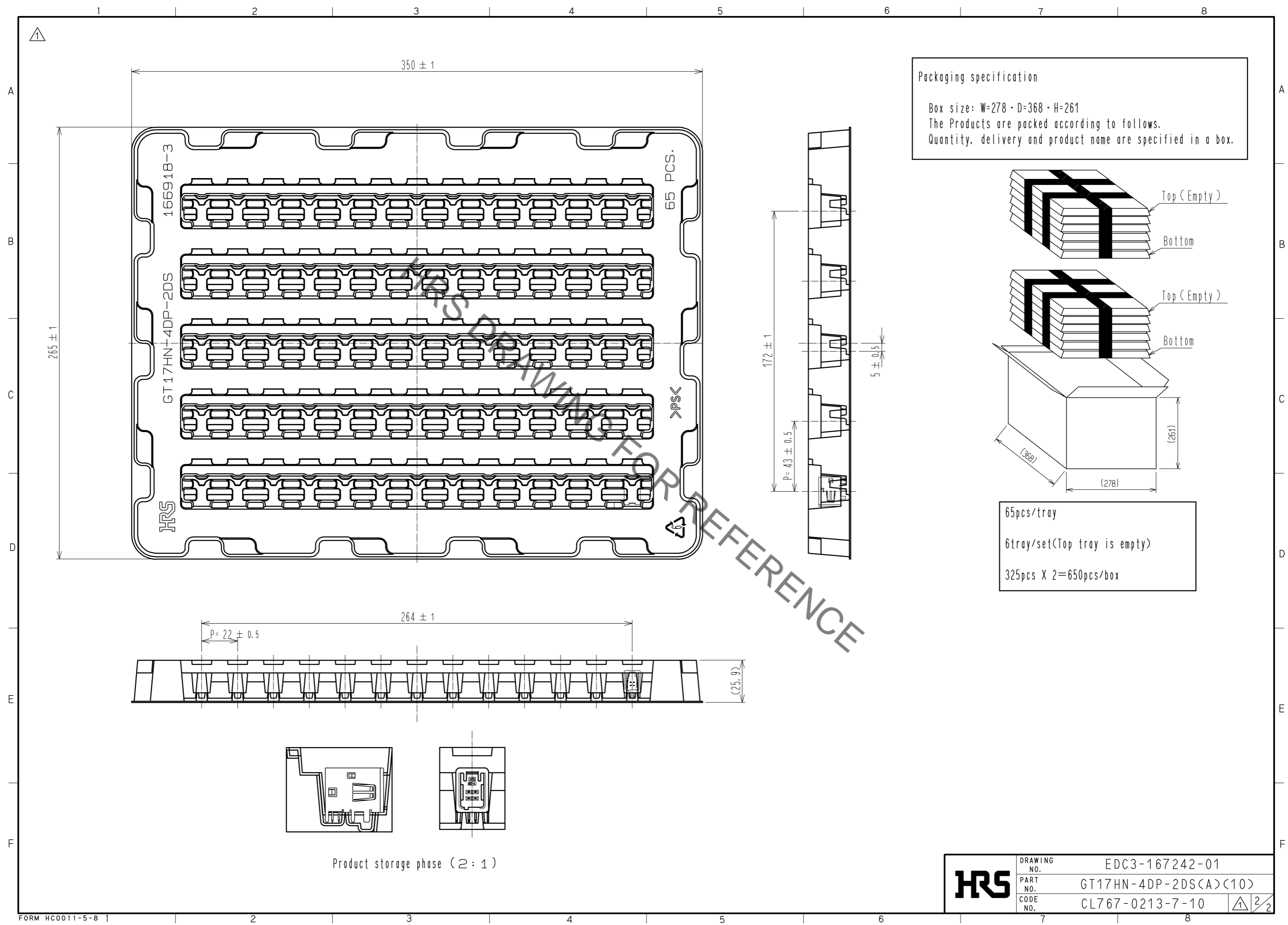


Recommended PCB layout

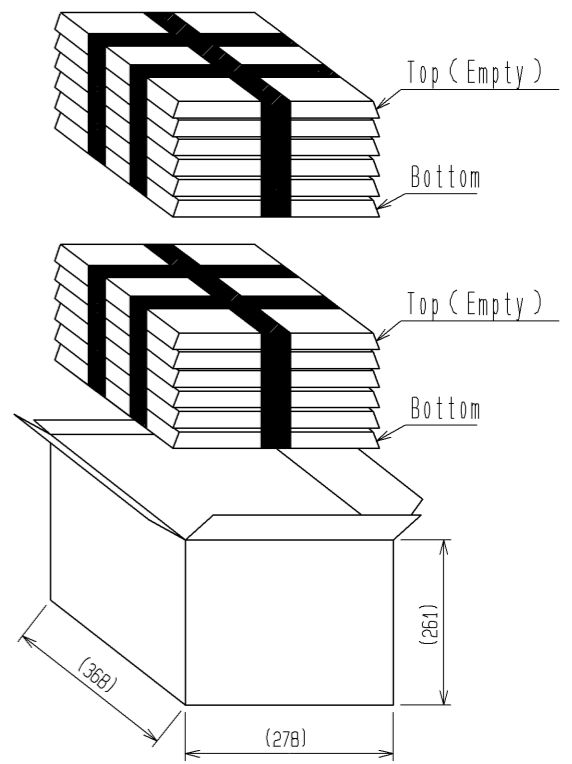
Recommended panel layout

2	PBT	Brown	4	Brass	Tin plating		
1	Copper alloy	Tin plating	3	Brass	Tin plating		
NO.	MATERIAL	FINISH . REMARKS	NO.	MATERIAL	FINISH . REMARKS		
UNITS	mm	SCALE	COUNT	DESCRIPTION OF REVISIONS	DESIGNED	CHECKED	DATE
		2 : 1	1	DIS-T-003922	MH. SHOUJI	TS. KUBOTA	14. 06. 03
APPROVED : NH. NAKATA		13. 06. 19	DRAWING NO.		EDC3-167242-01		
CHECKED : TS. KUBOTA		13. 06. 19	PART NO.		GT17HN-4DP-2DS(A)(10)		
DESIGNED : KK. FURUKAWA		13. 06. 17	CODE NO.		CL767-0213-7-10		
DRAWN : KK. FURUKAWA		13. 06. 17			1/2		

Oct.1.2019 Copyright 2019 HIROSE ELECTRIC CO., LTD. All Rights Reserved.  
 In case of consideration for using Automotive equipment / device which demand high reliability, kindly contact our sales window correspondents.



Packaging specification  
 Box size: W=278 · D=368 · H=261  
 The Products are packed according to follows.  
 Quantity, delivery and product name are specified in a box.



65pcs/tray  
 6tray/set(Top tray is empty)  
 325pcs X 2=650pcs/box

<b>HRS</b>	DRAWING NO.	EDC3-167242-01
	PART NO.	GT17HN-4DP-2DS(A)(10)
	CODE NO.	CL767-0213-7-10
		2/2