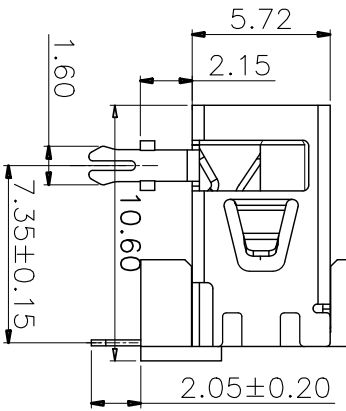
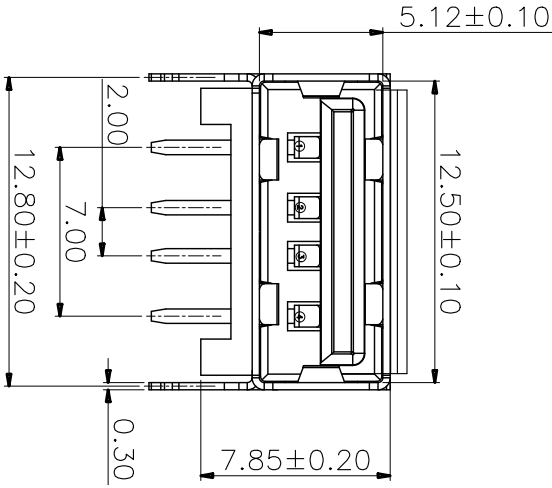


PCB HOLES(THE PATTERN SIDE) t=1.6mm  
NOTE: GENERAL TOLERANCE: ±0.1mm



目録 MAPX	設定内容 MODIFICATION	日期 DATE
------------	----------------------	------------

电气特性:Electrical:

- 额定电流: Current Rating  
1. 5A/contact terminal
- 额定电压: Voltage Rating  
30V DC
- 接触阻抗: Contact Resistance  
30 milliohms MAX
- 耐电压: Dielectric Withstanding Voltage:  
500 V AC AT Sea Level
- 绝缘阻抗: Insulation Resistance:  
100OMEGA ohms MIN

物理性能:Mechanical:

- 插拔力: Connector Mate and Unmate Force  
Mate force:3.57kgf (MAX)  
Unmate force:1.02kgf (MIN)
  - 端子保持力: Terminal Retention  
1. 2kgf (MIN)
  - 寿命: 1500次
- 原材料:Material:  
1. 塑胶:Housing:PBT BK  
2. 端子>Contact:Copper Alloy C2680  
3. 外壳:Shell:SPCC
- 电镀:Finish:  
1 端子Contact: Au 0.7u" Plated on contact area  
Tin50u" Plated on solder area  
Nickel 50u" Plated underplating over all.  
2 外壳Shell: Nickel 50u"Min plating over all.

# 深圳市精拓金电子有限公司

PRODUCT CHART DWG		公差一览表 TOLERANCE (UNLESS OTHERWISE SPECIFIED)		单位 UNITS		制图 DRAWINGS		产品料号 PRODUCT PART NO.	
Pin NUMBER	SIGNAL NAME	±0.25	X'	±5'	MM	林属升	909-161A1025D10200	产品名称 PRODUCT NO.	909-161A1025D10200
1	VBUS	±0.20	X'	±2'	1:1	宙核	AF-10.08	7.80DIP	AF-10.08
2	D-	±0.15	XX'	±1'	比例 SCALE	郭志富	7.80DIP	两脚无边壳	PBT黑胶
3	D+	±0.10	XXX'	±0.5'	日期 DATE	黄国荣	7.80DIP	无耳架	
4	GND				2015/10/20	核准 APPRO	角法	版本 VER	A0