

目錄 MAPX	设变内容 MODIFICATION	日期 DATE
------------	----------------------	------------

电气特性:Electrical:

- 1.额定电流: Current Rating
1.5A/contact terminal
- 2.额定电压: Voltage Rating
30V DC
- 3.接触阻抗:Contact Resistance
30 milliohms MAX
- 4.耐电压:Dielectnic Withstanding Voitage:
500 V AC AT Sea Levol
- 5.绝缘阻抗:Insulation Resistance:
1000MEGA ohms MIN

物理性能:Mechanical:

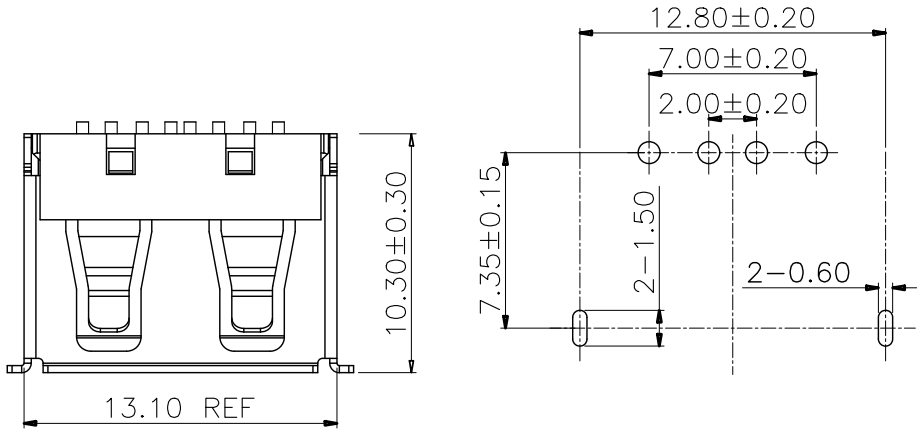
- 1.插拔力: Cnnector Mate and Unmate Force
Mate force:3.57kgf(MAX)
Unmate force:0.7kgf(MIN)
- 2.端子保持力: Terminal Retenion
1.2kgf(MIN)
- 3.寿命: 1500次

原材料:Matorial:

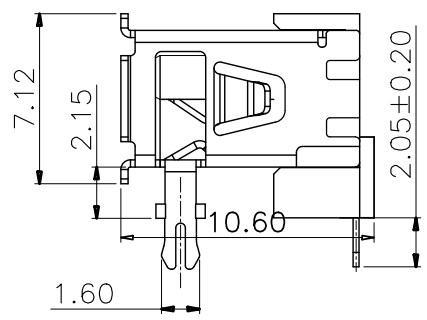
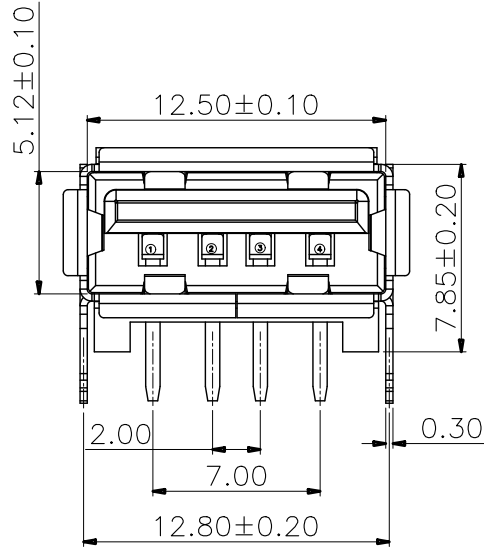
- 1.塑胶:Housing: PBT NC
- 2.端子:Contact:Copper Alloy C2680
- 3.外壳:Shell:SPCC

电镀:Finish:

- 1 端子Contact: Au 0.7u" Plated on contact area
Tin50u" Plated on solder area
Nickel 50u" Plated underplating over all.
- 2 外壳Shell: Nickel 50u"Min plating over all.



PCB HOLES(THE PATTERN SIDE) t=1.6mm
NOTE: GENERAL TOLERANCE: ±0.1mm



产品图 PRODUCT CHART DWG		深圳市精拓金电子有限公司											
										公差一览表 TOLERANCE UNLESS OTHERWISE			
Pin NUMBER	SIGNAL NAME	X.	±0.25	X'	±5'	单位 UNITS	MM	制图 DRAWING	林属升	产品料号 PRODUCT PART NO.	909-151A1015D10100		
1	VBUS	.X	±0.20	.X'	±2'	比例 SCALE	1:1	审核 CHKD	郭志富	产品名称 PRODUCT NO.	AF10.0B款前两脚有边铁壳PBT白胶 DIP7.8无耳朵		
2	D-	.XX	±0.15	.XX'	±1'	日期 DATE	2015/10/20	核准 APPD	黄国荣	角法 VIEW	⊕	版本 VER	A0
3	D+	.XXX	±0.10	.XXX'	±0.5'								
4	GND												