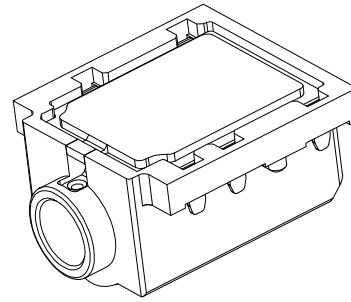
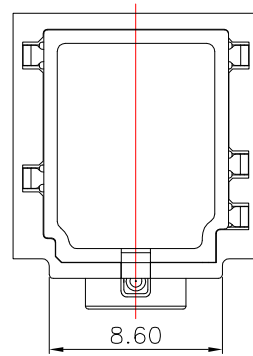
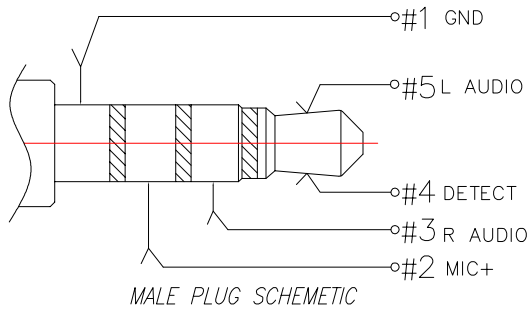
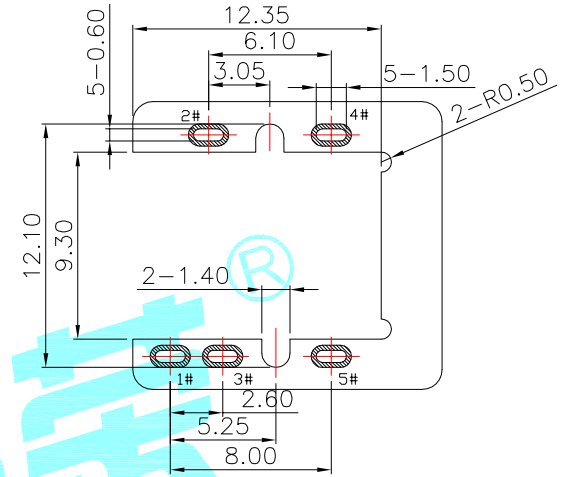


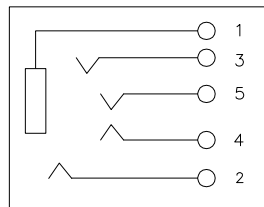
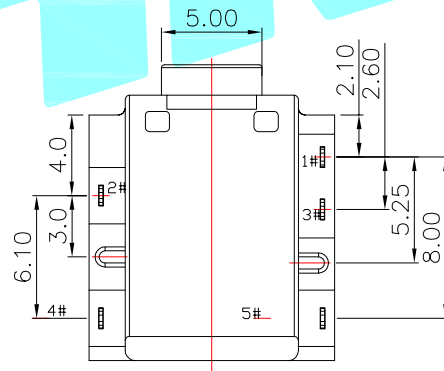
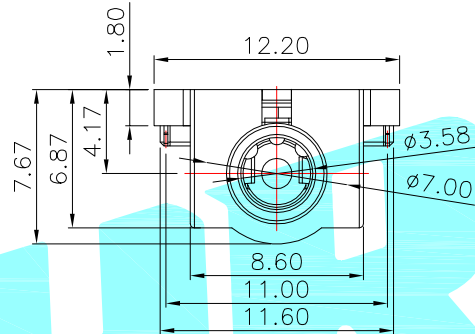
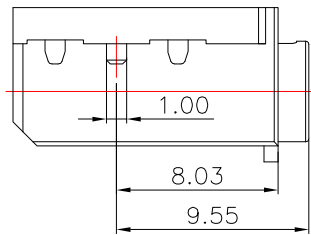
ROHS



3D VIEW



P.C.B LAYOUT



SCHEMATIC

1. CURRENT RATING: 1A.
2. CONTACT RESISTANCE: 50 mΩ MAX.;
3. INSULATION RESISTANCE: 1000Ω MIN.;
4. DIELECTRIC WITHSTANDING: 500V AC MIN.;
5. DURABILITY: 20,000 CYCLES MIN.;
6. CONNECTOR MATING FORCES: 30N MAX.;
7. CONNECTOR UNMATING FORCES: 3N MIN.;
8. TERPROOF LEVEL: IPX7.;

②	Terminal	—	5	SUS	Ni/Au Plating	—
①	Housing	—	1	High temperature plastic	Black	—
ITEM	PART NAME	TER'NO.	QTY.	MATERIAL	FINISHING	REMARK
APPROVALS			DATE	 ELECTRONICS CO.,LTD		
DRAWN	LIUCAN	2023.3.3				
CHECKED			TITLE: PHONE JACKES			
APPROVALS			PART NO. PJ-624			
TOLERANCES ARE			30~以上	±0.30	ANGLE	UNIT: mm
			10~30	±0.20	±2'	SCALE: 1:1
			5~10	±0.15		DRAWING NO.
			~ 5	±0.10		PROJ:
			SHEET 1 OF 1			

_____	A	_____	NEW	_____	_____	_____
ECN NO.	REV.	DATE.	DESCRIPTION.	CHANGE.	CHECK.	APPRO.