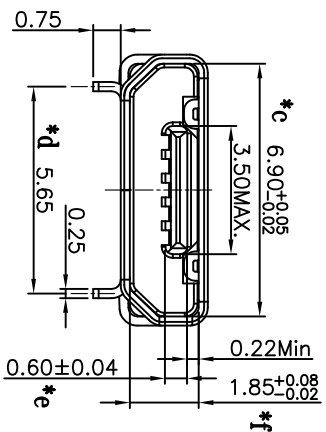


RECOMMENDED PCB LAYOUT(TOP VIEW)  
GENERAL TOLERANCES:±0.05



		TOLERANCE UNLESS SPECIFIED					
		UP TO 5mm: ±0.1	ANGULAR ±1°	NO	DATE	REVISIONS	BY
		ABOVE 5mm: ±0.2		1			APPD
		TITLE: USB JACK		UNIT : MM		ROHS COMPLIANT	
		MODEL: USB-111HI B型无柱直口		SCALE: 1:1		DWN	
3	SHELL	SUS/BRASS	1	Sn/Ni-PLATED			CHK'D
2	CONTACT	BRASS	1	Au/Ni-PLATED			APPD
1	HOUSING	LCP	1	BLACK			
NO.	PART	NAME	MATERIAL	FINISHING	QTY	PRO.AGI.	REV :A0



HAOYU(HONGKONG)LIMITED  
皓宇(香港)有限公司