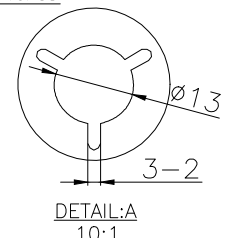
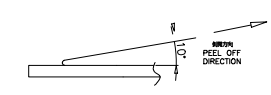


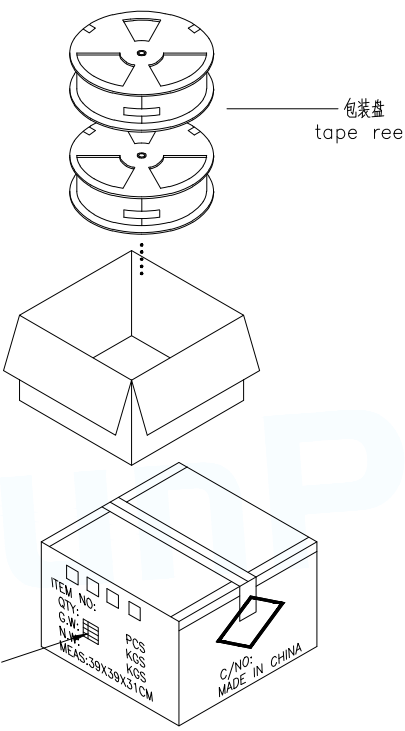
NOTES
 1. 带子引导长度
 LEAD TAPE LENGTH
 出料方向
 PULL OUT DIRECTEON



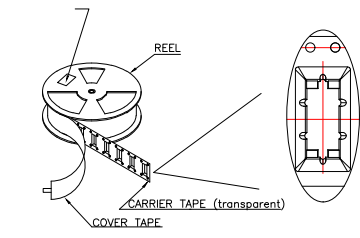
2. 上卷 剥离力: 0.1~1.3N(10.2gf~130gf)
 PEELING OFF FORCE OF TOP TAPE: 0.1~1.3N(10.2gf~130gf)
 出货 完整制程中一定注意:
 THIS REQUIREMENT SHOULD BE APPLIED AT SHIPMENT.
 出货完整制程中不能撕开
 PEELING OFF SHOULD NOT BE ALLOWED DURING TRANSPORTATION



外箱标签



at small positioning hole of the carrier tape side.
 标签粘贴处 (朝卷装包材的小定位孔一侧)
 Location of label sticking (label)



NOTE:
 1. 每卷包装数量及每箱装箱数量如左下表格。
 Packing q'ty of each reel & carton as below table shown.
 2. 将装满产品的卷盘放入纸箱并以胶带封口
 Put reels in the carton and use adhesive tape to seal up.

| | | |
|----|-------------------------|--------------------|
| 卷带 | 规格: $\phi 380\text{mm}$ | 包装数量: 500PCS |
| 纸箱 | 规格: 390mmX390mmX310mm | 包装数量: 10盘(5000PCS) |

| | |
|----|-----------|
| W | 24.00±0.3 |
| A0 | 5.24±0.1 |
| B0 | 12.30±0.1 |
| K0 | 14.55±0.1 |
| P | 12.00±0.1 |
| F | 11.50±0.1 |
| E | 1.75±0.1 |
| D0 | 1.50±0.1 |
| P0 | 4.00±0.1 |
| P2 | 2.00±0.1 |
| T | 0.50±0.05 |

| | | | |
|---------------------------------------|----------|--|---|
| MANUFACTURE DWG | | 东莞市讯普电子科技有限公司 DongGuan XunPu Electronics Co., Ltd | |
| UNLESS OTHERWISE SPECIFIED TOLERANCES | | | TITLE: Type-C 16PIN 立插 DIP型 L=10.0 |
| DECIMALS: | ANGLES: | | PAR TYPEC-300D-BCP16H100 DWN CHKD APVD |
| X.: ±0.35 | X': ±4' | | SCALE 1:1 |
| .X: ±0.25 | .X': ±3' | | UNIT: MM |
| .XX: ±0.15 | | CUSTOMER COPY | SIZE: A4 SHEET: 1F1 REV: A |