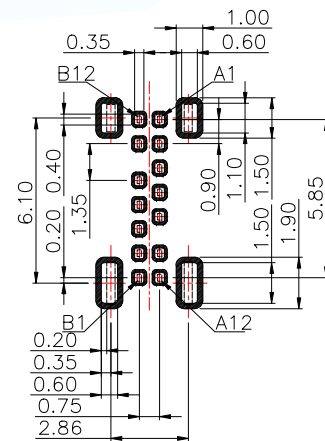
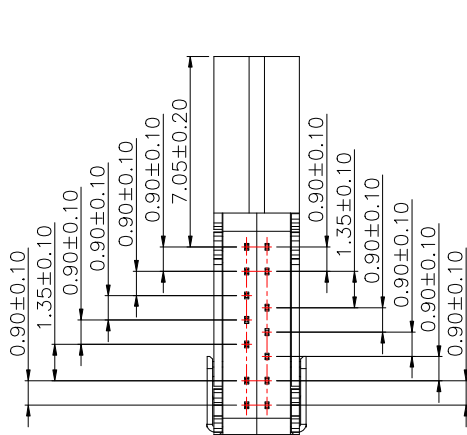


SPECIFICATION:

- MATERIAL & FINISH:SEE THE LIST;
- PLATING SPECIFICATION:
  - CONTACTS:
    - Ni 50u" MIN. UNDER PLATED OVER ALL.
    - Au PLATED ON THE MATING AREA OF CONTACT.
    - Au PLATED OR MATTE SN PLATED ON THE SOLDER AREA.
  - FRONT SHELL:Ni 30u" MIN. UNDER PLATED OVER ALL.
  - BACK SHELL:Ni 30u" MIN. UNDER PLATED OVER ALL.
  - MID PLATE:CLEAR ONLY
- MECHANICAL:
  - MATING FORCE:5~20N;
  - UNMATING FORCE:8~20N.
  - DURABILITY:10000 CYCLES; 6~20N AFTER DURABILITY TEST;
- ELECTRICAL:
  - CURRENT RATING:3A Max;
  - VOLTAGE RATING:20V Max;
  - DIELECTRIC WITHSTANDING VOLTAGE:100Vac;
  - CONTACT RESISTANCE:40mΩ Ohms Max.;
  - INSULATION RESISTANCE:100M Ohms Min.;
- ENVIRONMENTAL:
  - OPERATING TEMPERATURE:-40°C~+85°C;
  - WETTING TEMPERATURE:265±5°C,5±0.5s;

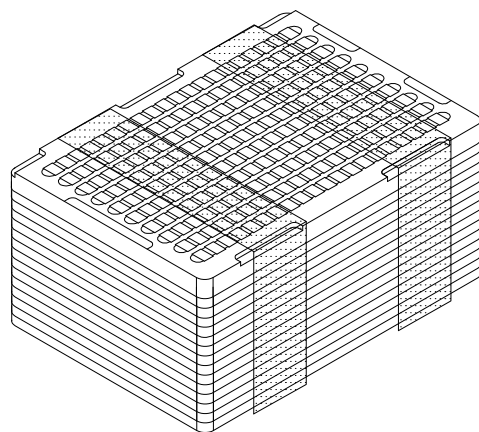


RECOMMENDED P.C.B. LAYOUT  
TOLERANCE UNSPECIFIED ±0.05mm

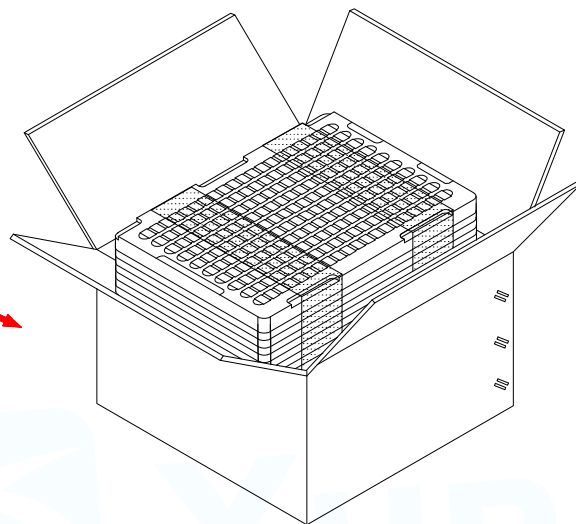
PIN DEFINE TABLE			
PIN	SIGNAL	PIN	SIGNAL
A12	GND	B1	GND
A11		B2	
A10		B3	
A9	VBUS	B4	VBUS
A8		B5	CC2
A7	D-	B6	D+
A6	D+	B7	D-
A5	CC1	B8	
A4	VBUS	B9	VBUS
A3		B10	
A2		B11	
A1	GND	B12	GND

NO.	PART NAME	Q'TY	MATERIAL	FINISH
5	Back Shell	1	Stainless Steel,T=0.20mm	30u"Ni Min.
4	Front Shell	1	Stainless Steel,T=0.30mm	30u"Ni Min.
3	MID PLATE	1	Stainless Steel,T=0.15mm	No Plating
2	Contact	14	Copper Alloy,T=0.15mm	Au/Ni or Au/Sn/Ni-Plated
1	Housing	1	High temperature plastic	UL94 V-0,Black

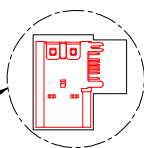
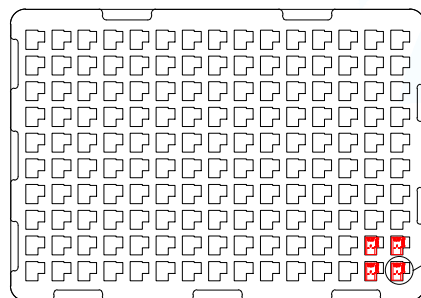
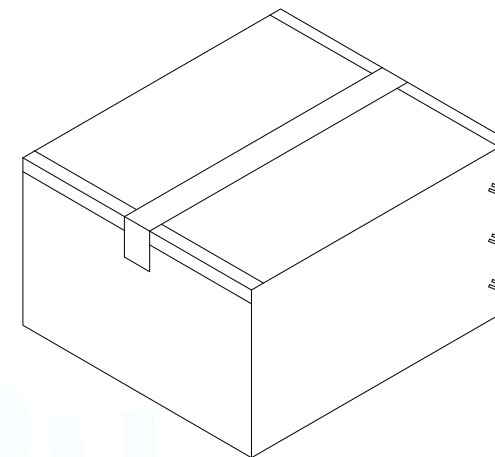
MANUFACTURE DWG			 东莞市讯普电子科技有限公司 DongGuan XunPu Electronics Co.,Ltd	
UNLESS OTHERWISE SPECIFIED TOLERANCES			TITLE:TYPE-C 14P侧插母座前直后鱼叉脚	
DECIMALS:	ANGLES:		PAR	TYPEC-215-ARP14
.X:±0.35	.X':±3.0°	DWN		
.XX:±0.25	.XX':±2.5°	CHKD		
.XXX:±0.15	.XXX':±2.0°	APVD		
CUSTOMER COPY		SCALE:1:1	UNIT:MM	REV:A
		SIZE:A4	SHEET:1F1	



30盘/扎




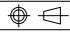
2扎/箱



说明:

1. 每盘装170PCS, 30盘为1扎, 在每扎最上层放1空盘, 用PE膜缠绕好, 并贴上1PCS物料标签;
2. 将2扎包装好的产品叠放在一起装入指定纸箱内并在外箱贴上1PCS物料标签;
3. 在搬运过程中要轻拿轻放;
4. 在运输中不可堆放过多(1.8M最高), 不可重压;

NO.	NAME	SPEC	Q'TY
①	TYPE C Rec.		10200PCS/CARTON
②	TRAY	PET,338*238mm	62PCS/CARTON
③	CARTON	CORRUGATED BOARD,K=K 515*365*160mm	1PCS/PACKAGE

MANUFACTURE DWG			 东莞市讯普电子科技有限公司 DongGuan XunPu Electronics Co.,Ltd	
UNLESS OTHERWISE SPECIFIED TOLERANCES			TITLE:TYPE-C 14P侧插母座前直后鱼叉脚	
DECIMALS:	ANGLES:	PAR	TYPEC-215-ARP14	
.X:±0.35	.X':±3.0°	DWN		
.XX:±0.25	.XX':±2.5°	CHKD		
.XXX:±0.15	.XXX':±2.0°	APVD		
CUSTOMER COPY		SCALE1:1	UNIT:MM	
		SIZE:A4	SHEET:1F1	REV:A