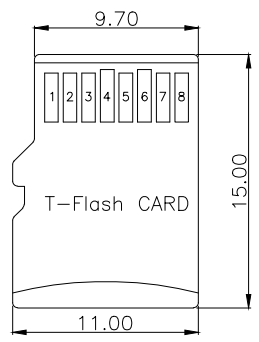
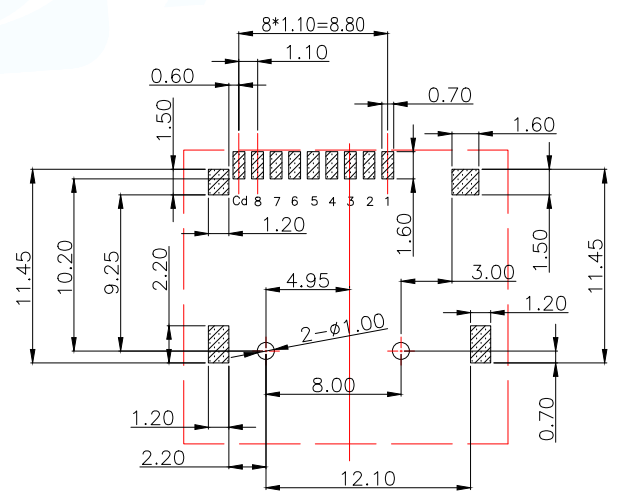
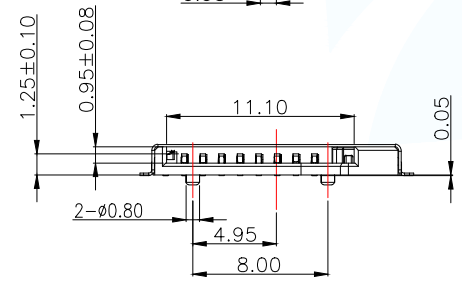
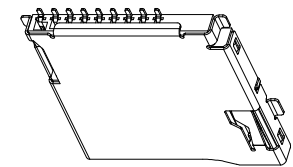
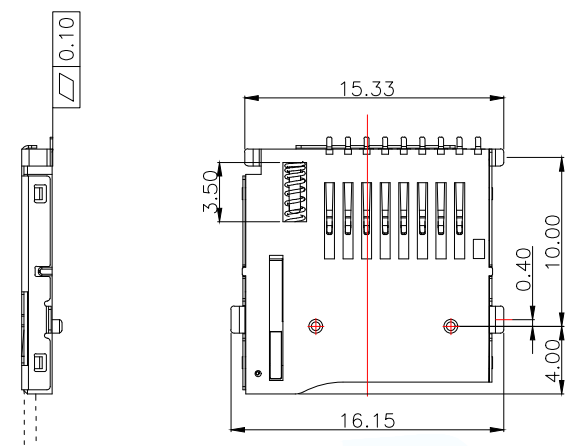
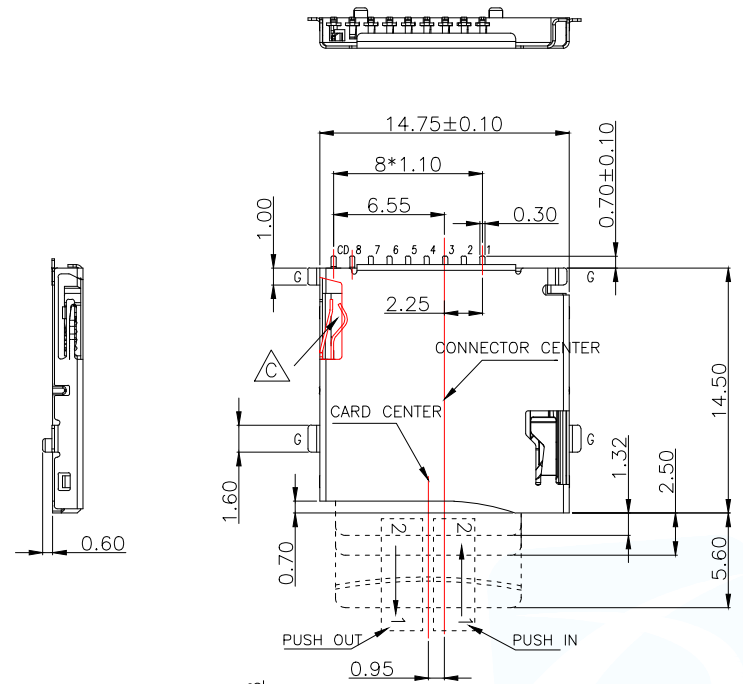
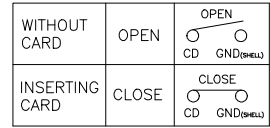


- Specification:
- Electrical Characteristics:
 - Contact Current Rating:0.5 Amperes.
 - Dielectric Withstanding Voltage:AC500V r.m.s.
 - Insulation Resistance:1000 MΩ Minimum.
 - Contact Resistance:40 mΩ Maximum.
 - Environmental:
 - Operating Temperature:-25°C~+90°C.
 - Environmental:
 - Mating Cycles:5,000 Insertions.
 - Mechanical Characteristics:
 - Card Push Insertion/Out Force:0.2~1.40kgf.
 - Contact Separation Force:0.20kgf Minimum.
 - Material:
 - Insulator:HI-Temp Plastic UL 94V-0 Rated.
 - Contact:Copper Alloy(t=0.15mm).
 - Shell:Stainless Steel(t=0.15mm).
 - Spring:SWP.



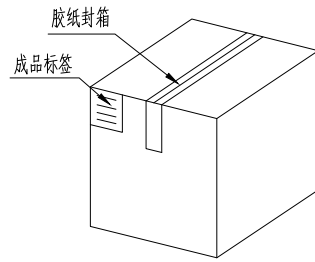
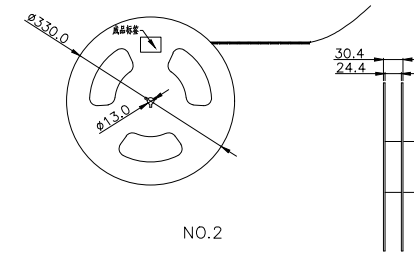
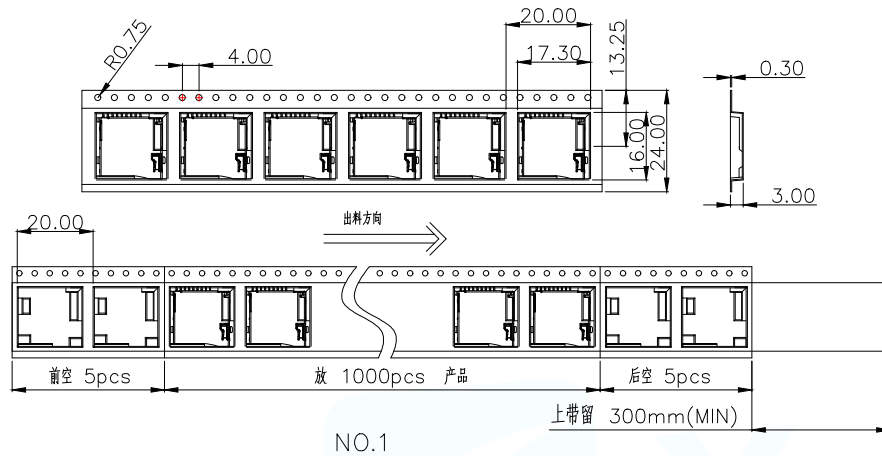
PAD AREA
 KEEP OUT AREA
RECOMMENDED PCB LAYOUT
 GENERAL TOLERANCE ±0.05

Circuit Diagram for Detect Switch

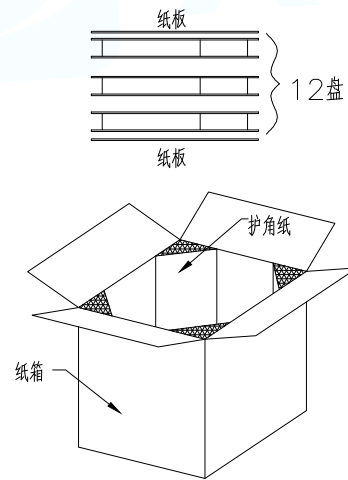


TF CARD PIN DEFINE			
PIN NO.	NAME	YYPE	DESCRIPTION
1	DAT2	I/O/PP	DATE LINE(BIT2)
2	CD/DAT3	I/O/PP	CARD DETECT DATE LIN(BIT3)
3	CMD	PP	COMMAND RESPONSE
4	VDD	S	SUPPLY VOLTAGE
5	CLX	I	CLOCK
6	VSS	S	SUPPLY VOLTAGE GROUND
7	DAT0	I/O/PP	DATE LINE(BIT0)
8	DAT1	I/O/PP	DATE LINE(DIT1)

MANUFACTURE DWG		东莞市讯普电子科技有限公司 DongGuan XunPu Electronics Co.,Ltd	
UNLESS OTHERWISE SPECIFIED TOLERANCES			TITLE:MICRO SD CARD PUSH PUSH SMT 镀金 外焊 自弹式 无弹片
DECIMALS:	ANGLES:		PAR TF-115Y-ACP9
X.X:±0.35	X.X':±3°		DWN
X.XX:±0.25	X.XX':±2°		CHKD
X.XXX:±0.15		APVD	SCALE:1:1 UNIT:MM
CUSTOMER COPY		SIZE:A4	SHEET:1F1
			REV:A



纸箱规格: 340*340*385
NO.4



NO.3

1. 材质要求:

- 1.1 纸箱的材质为K=K;外形尺寸为34*34*38.5;
- 1.2 卷盘的材质为PS,卷盘的外形尺寸为 ϕ 330*30.4;
- 1.3 卷带的材质为PS,卷带的外形尺寸为20200*24.00*3.0mm;

2. 包装方式:

- 2.1 将卷带放入包装机后,前空5PCS,后放产品1000PCS,再后空5PCS;上带留300MM长度。
- 2.2 将包装好的产品从包装机上取下并包装好,贴上内盘标签;
- 2.3 把累叠好的12盘叠放入纸箱中共计12Kset,上下放纸板,纸箱四个角塞护角纸;
- 2.4 把包装好的成品打包封箱,并在纸箱外贴上标签

MANUFACTURE DWG		 东莞市讯普电子科技有限公司 DongGuan XunPu Electronics Co.,Ltd	
UNLESS OTHERWISE SPECIFIED TOLERANCES			TITLE: MICRO SD CARD PUSH PUSH SMT 镀金 外焊 自弹式 无弹片
DECIMALS:	ANGLES:		PAR TF-115Y-ACP9
X.X: ±0.35	X.X': ±3°		DWN
X.XX: ±0.25	X.XX': ±2°		CHKD
X.XXX: ±0.15		APVD	SCALE 1:1 UNIT: MM
CUSTOMER COPY		SIZE: A4	UNIT: MM
		SHEET: 1F1	REV: A