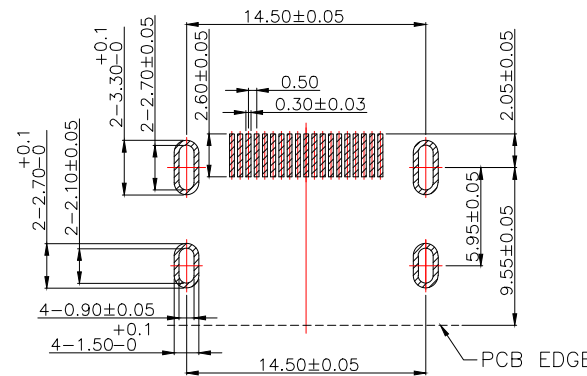
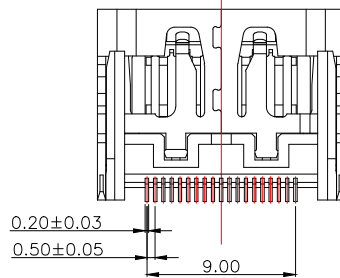


NOTES:

- 1.) MATERIAL:
 - 1-1. HOUSING:LCP,UL 94V-0,COLOR:BLACK;
 - 1-2. CONTACT:COPPER ALLOY T=0.20;
 - 1-3. SHELL:BRASS&SPCC T=0.50;
- 2.) FINISH:
 - 2-1. CONTACT: Au PLATING ON CONTACT AREA,(Au G/F+Sn 50u"MIN) MATTE PURE Sn 50u" Min. PLATING ON SOLDERTAILS,50u" MIN. Ni UNDERPLATING OVERALL;
 - 2-2. SHELL: PLATING Ni 50u Min
- 3.) SPECIFICATIONS:
 - 3-1. VOLTAGE RATING: 40V
 - 3-2. CURRENT RATING: 0.5A
 - 3-3. INSULATION RESISTANCE: 100MEG.OHM MIN
 - 3-4. CONTACT RESISTANCE: 30MILL.OHM MAX
 - 3-5. OPERATION TEMPERATURE: -20° TO +85°
 - 3-6. INSERT FORCE: 44.1N MAX
 - 3-7. EXTRACT FORCE: 9.8~44.1N
 - 3-8. DURABILITY: 10000 CYCLES



RECOMMENDED PCB LAYOUT (T:1.60mm)
TOLERANCE UNSPECIFIED ±0.10mm

MANUFACTURE DWG		 东莞市讯普电子科技有限公司 DongGuan XunPu Electronics Co.,Ltd	
UNLESS OTHERWISE SPECIFIED TOLERANCES		TITLE: HDMI-A	
		PAR	HDMI-214-B
DECIMALS:	ANGLES:	DWN	
X.X:±0.25	X.°:±1.5°	CHKD	
X.XX:±0.15	X.X:±1.0°	APVD	
X.XXX:±0.10		SCALE 1:1	UNIT:MM
		CUSTOMER COPY	SIZE:A4
			SHEET:1F1
			REV:A