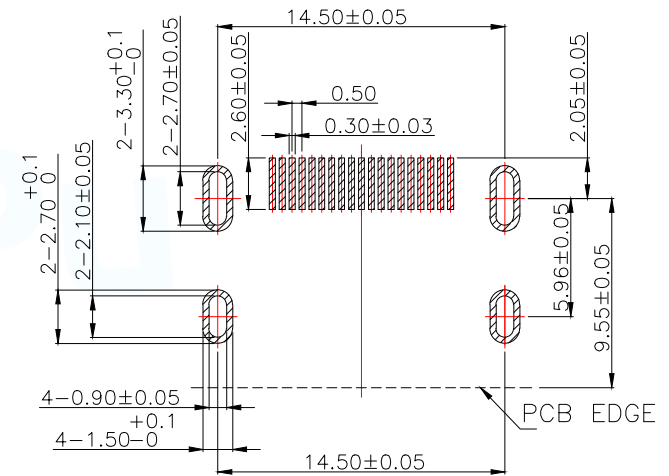
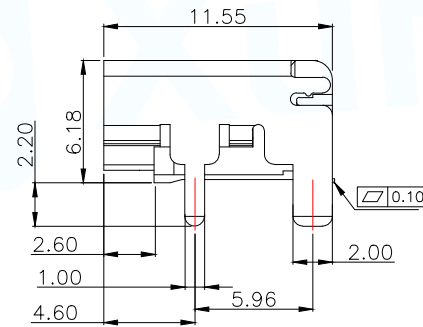
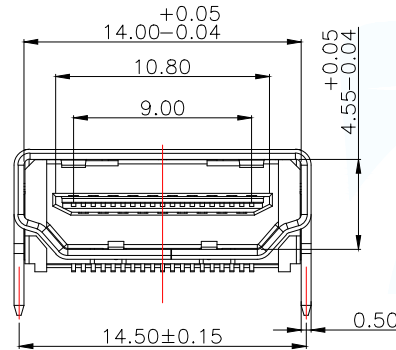
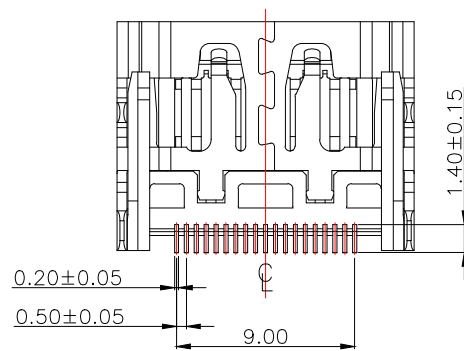


NOTES:

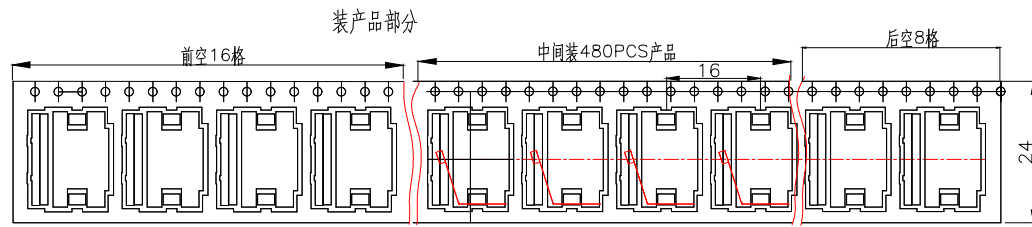
- 1.) MATERIAL:
 - 1-1. HOUSING:LCP,UL 94V-0,COLOR:BLACK;
 - 1-2. CONTACT:C2680 T=0.20;
 - 1-3. SHELL:SPCC ,T=0.50;
- 2.) FINISH:
 - 2-1. CONTACT: Au G/F PLATING ON CONTACT AREA
MATTE PURE Sn 50u" Min. PLATING
ON SOLDER TAILS
 - 2-2. SHELL: PLATING Ni 50u Min
- 3.) SPECIFICATIONS:
 - 3-1. VOLTAGE RATING: 40V
 - 3-2. CURRENT RATING: 0.5A
 - 3-3. INSULATION RESISTANCE: 100MEG.OHM MIN
 - 3-4. CONTACT RESISTANCE: 10 MILL.OHM MAX
 - 3-5. OPERATION TEMPERATURE: -20°C TO +85°C
 - 3-6. INSERT FORCE: 44.1N MAX
 - 3-7. EXTRACT FORCE: 9.8~39.2N



RECOMMENDED PCB LAYOUT (T:1.60mm)
TOLERANCE UNSPECIFIED ±0.10mm

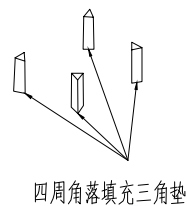
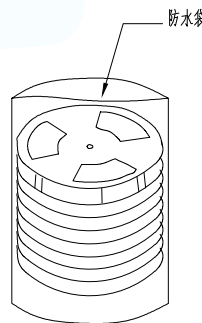
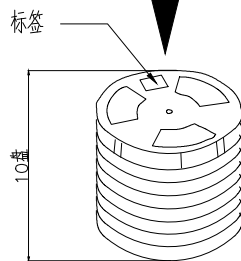
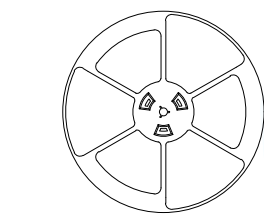
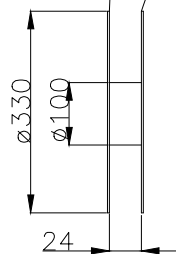


MANUFACTURE DWG		东莞市讯普电子科技有限公司 DongGuan XunPu Electronics Co.,Ltd	
UNLESS OTHERWISE SPECIFIED TOLERANCES		TITLE: HDMI-A	
		PAR	HDMI-213
DECIMALS:	ANGLES:	DWN	
X.X:±0.25	X.:±3°	CHKD	
X.XX:±0.15	X.X:±2°	APVD	
X.XXX:±0.10		SCALE 1:1	UNIT:MM
		SIZE:A4	SHEET:1F1
		CUSTOMER COPY	REV:A

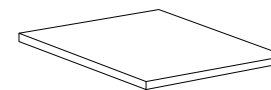


客户使用出料方向

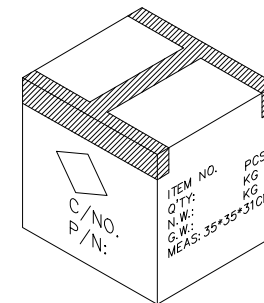
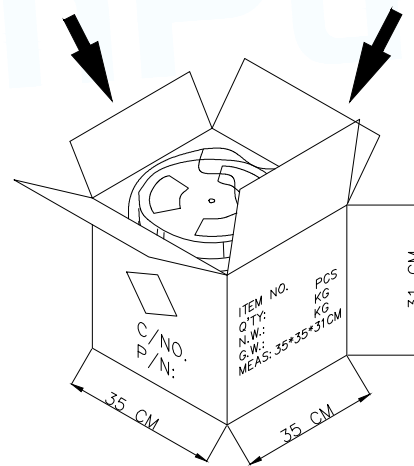
PCS/卷	卷/箱	PCS/箱
480	10	4800



四周角落填充三角垫



纸箱内上下各垫一层纸板



MANUFACTURE DWG		 东莞市讯普电子科技有限公司 DongGuan XunPu Electronics Co.,Ltd	
UNLESS OTHERWISE SPECIFIED TOLERANCES			
DECIMALS:	ANGLES:	TITLE: HDMI-A	
X.X:±0.25	X.°:±1.5'	PAR	HDMI-213
X.XX:±0.15	X.X:±1.0'	DWN	
X.XXX:±0.10		CHKD	
		APVD	
		SCALE:1:1	UNIT:MM
		SIZE:A4	SHEET:1F1
		CUSTOMER COPY	REV:A