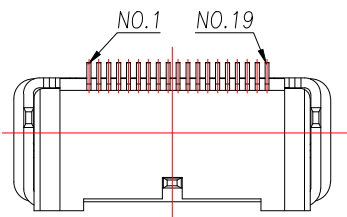
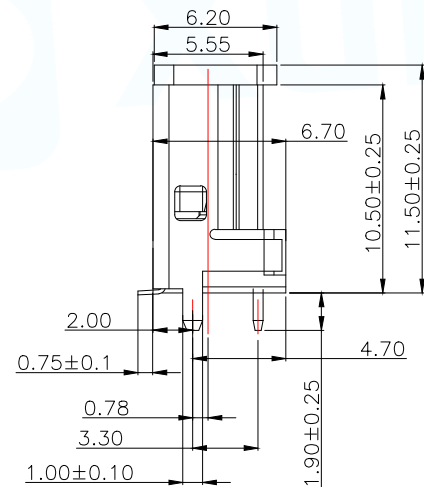
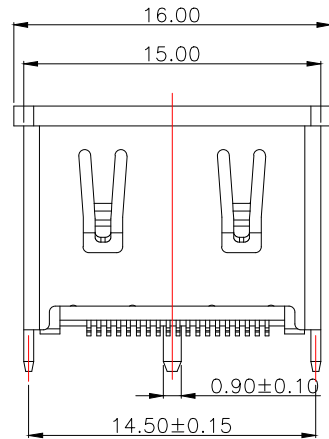


RECOMMENED P.C.B. LAYOUT(T=1.6mm)
TOLERANCES UNLESS OTHERWISE SPEC.±0.05



NOTES:

- 1.) MATERIAL:
 - 1-1. HOUSING AND COVER:LCP,UL 94V-0,COLOR:BLACK; HF
 - 1-2. CONTACT:BRASS T=0.20;
 - 1-3. SHELL:BRASS T=0.50;
 - 1-4. CAP: LCP BLACK UL 94-V0
- 2.) FINISH:
 - 2-1. CONTACT: Au PLATING ON CONTACT AREA,(SEE P/N DESCRIBING) AU G/F PLATING ON SOLDERTAILS,50u" MIN. Ni UNDERPLATING OVERALL;
 - 2-2. SHELL: PLATING Ni 50u" MIN.
- 3.) SPECIFICATIONS:
 - 3-1. VOLTAGE RATING: 40V
 - 3-2. CURRENT RATING: 0.5A
 - 3-3. INSULATION RESISTANCE: 100MEG.OHM MIN
 - 3-4. CONTACT RESISTANCE: 30 MILL.OHM MAX
 - 3-5. OPERATION TEMPERATURE: -20° TO +85°
 - 3-6. INSERT FORCE: 44.1N MAX
 - 3-7. EXTRACT FORCE: 9.8N MIN
 - 3-8. DURABILITY: 10000 CYCLES

MANUFACTURE DWG		 东莞市讯普电子科技有限公司 DongGuan XunPu Electronics Co.,Ltd	
UNLESS OTHERWISE SPECIFIED TOLERANCES			TITLE: HDMI-A
			PAR HDMI-212L
			DWN
			CHKD
DECIMALS:	ANGLES:	APVD	
X.X:±0.35	X.:±5°	SCALE 1:1	UNIT:MM
X.XX:±0.25	X.X:±3°	SIZE:A4	SHEET:1F1
X.XXX:±0.15		CUSTOMER COPY	REV:A