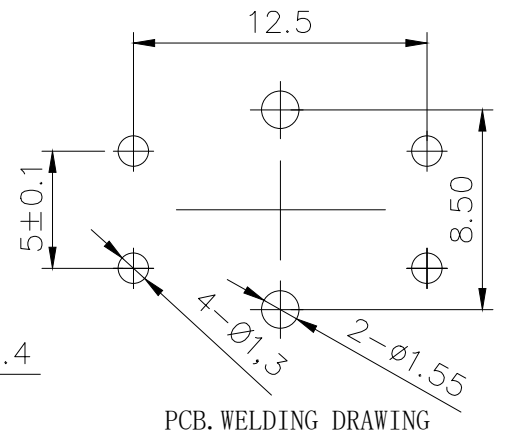
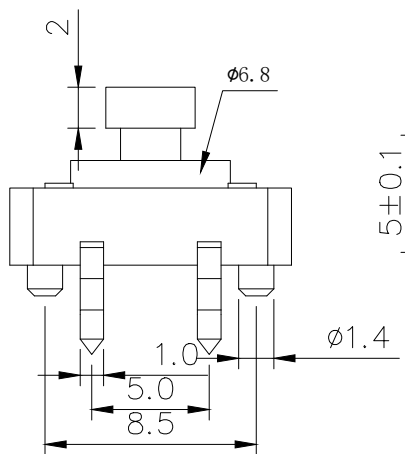
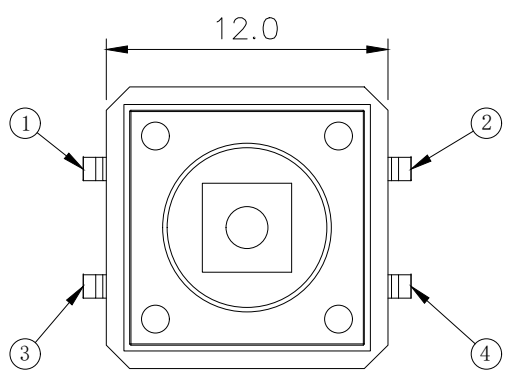


CIRCUIT DIAGRAM



PCB. WELDING DRAWING

Specification

| | |
|-----------------------|---------------------|
| Operating Life | 100,000 |
| Contact rating | 50mA@12V DC. |
| Insulation resistance | 100mΩ min. |
| Contact resistance | 100mΩ max. initial. |
| Dielectric Strength | 250 V AC(1mm) |
| Travel | 0.35±0.15mm |
| Storage Temperature | -30° C to 85° C |

Packaging:
Reel of 1,000 pieces.

| ITEM | DESCRIPTION | MATERIAL | QTY | FINISH/COLOR |
|------|-------------|-----------------|-----|--------------|
| E | STEM | PPA | 1 | White/Black |
| D | COVER | Stainless Steel | 1 | Clean |
| C | DOME | Stainless Steel | 1 | Plated Ag |
| B | HOUSING | LCP | 1 | White |
| A | PIN | Brass | 1 | Plated Ag |

Mechanical

| PN | Operatin g Force (gf) | Height mm | Pegs Option |
|----------------|-----------------------|-----------|-------------|
| YTS1B0031ABT00 | 160±50 | 7.3 | 0 (None) |
| YTS1B0032ABT00 | 250±50 | 7.3 | 0 (None) |
| YTS1B0031ABT01 | 160±50 | 7.3 | 1 (Pegs) |
| YTS1B0032ABT01 | 250±50 | 7.3 | 1 (Pegs) |

| | | |
|------------|------------|-------------|
| X. ±0.50 | X.° ±2° | UNITS mm |
| .X ±0.30 | .X° ±1° | |
| .XX ±0.10 | .XX° ±0.5° | MAT'L |
| .XXX ±0.05 | | FINISH |
| | | Q'TY |

深圳市怡远科技有限公司
SHENZHEN YIYUAN TECHNOLOGY CO., LTD

PART NO.
YTS1B003

APPD: ROGER

CHKD: ROC

DR: BILLY WANG 2020/08/21

TITLE:
TACTILE SWITCH 12x12

DWG NO. :
YTS1B003

| SCALE | SHEET | REV. |
|-------|-------|------|
| 1/1 | 1/1 | A1 |

THESE DRAWINGS AND SPECIFICATIONS ARE THE PROPERTY OF YIYUAN TECHNOLOGY CO.,LTD AND SHALL NOT BE REPRODUCED, COPIED OR USED IN ANY MANNER WITHOUT THE PRIOR WRITTEN CONSENT OF YIYUAN TECHNOLOGY CO.,LTD
Email at info@yiyuanswitches.com