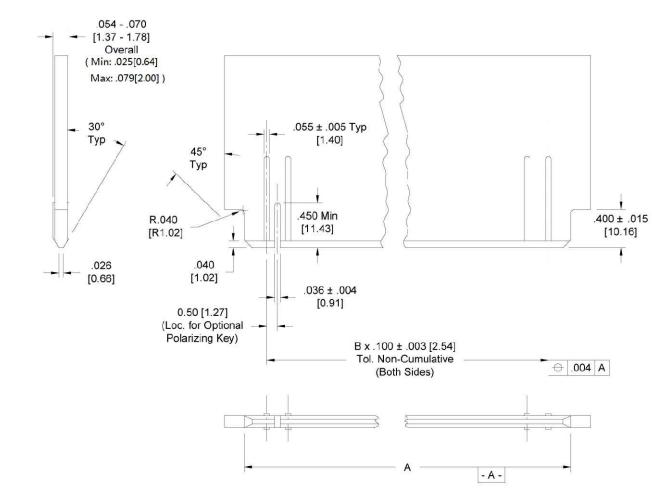


Contact Quantity	Dimensions				
	A	A2	B	C	D
10	0.96[24.4]	0.97[24.6]	0.85[21.6]	0.612[15.54]	0.95[24.1]
14	1.16[29.5]	1.17[29.7]	1.05[26.7]	0.812[20.62]	1.15[29.2]
16	1.26[32.0]	1.27[32.3]	1.15[29.2]	0.912[23.16]	1.25[31.8]
20	1.46[37.1]	1.47[37.3]	1.35[34.3]	1.112[28.24]	1.45[36.8]
26	1.76[44.7]	1.77[45.0]	1.65[41.9]	1.412[35.86]	1.75[44.5]
34	2.16[54.9]	2.17[55.1]	2.05[52.1]	1.812[46.02]	2.15[54.6]
40	2.46[62.5]	2.47[62.7]	2.35[59.7]	2.112[53.64]	2.45[62.2]
50	2.96[75.2]	2.97[75.4]	2.85[72.4]	2.612[66.34]	2.95[74.9]
60	3.46[87.9]	3.47[88.1]	3.35[85.1]	3.112[79.04]	3.45[87.6]
64	3.66[93.0]	3.67[93.2]	3.55[90.2]	3.312[84.12]	3.65[92.7]

Contact Quantity	Dimension	
	A ± .005	B (multiple ref.)
10	0.595[15.11]	4
14	0.795[20.19]	6
16	0.895[22.73]	7
20	1.095[27.81]	9
26	1.395[35.43]	12
34	1.795[45.59]	16
40	2.095[53.21]	19
50	2.595[65.91]	24
60	3.095[78.61]	29
64	3.295[83.69]	31



Recommended PCB Layout

REV	ECN NO	DESCRIPTION	DATE
A			

SPECIFICATION

Current Rating:3A  
 Dielectric Withstanding Voltage:1000V AC/Minute  
 Contact Resistance:20 Milliohms Max  
 Insulation Resistance:5000 Megaohms Min. At 500V DC  
 Operation Temperature:-55°C~+125°C  
 Insertion Force:0.4Kgf Max. Per Pair  
 Withdrawal Force:0.25Kgf Max. Per Pair

Insulator:PBT+G. F. (UL94V-0)  
 Contact:Brass or Phosphor Bronze  
 Gold Plated On Contact Area  
 Tin Plated On Solder Tails, Over Nickel

RoHS Compliant

Order Information  
 Housing With Pin

**ECxxP03xxBK-0001**  
 E=2.54mm FEMALE EDGE SLOT  
 C=IDC TYPE  
 NO. OF PINS:10~64  
 P=Phosphor Bronze + PBT  
 BK=Black  
 GY=Gery  
 BU=Blue  
 Blank=Without SR  
 SR=With SR

Strain Relief

**ECxxSRBK-0001**  
 E=2.54mm FEMALE EDGE SLOT  
 C=IDC TYPE  
 NO. OF PINS:10~64  
 BK=Black  
 GY=Gery  
 BU=Blue  
 Blank=Without SR  
 SR=With SR

Keying Plug  
 3439-2

深圳市格林柏电子技术开发有限公司

<b>X. ± 0.30</b>	<b>APPD:</b>	<b>PART NO:</b>  <b>ECxxP03BK-0001</b>
<b>.X ± 0.20</b>	<b>CHKD:</b>	
<b>.XX ± 0.10</b>	HZF	
<b>.XXX ± 0.05</b>		
<b>X° ± 1°</b>	<b>DR:</b>	
<b>.X° ± 0.5°</b>		
	<b>UNITS:</b> mm	<b>SCALE:</b> 1:1
	<b>DWG NO:</b>	<b>SHEET:10F1</b>
		<b>REV: A</b>