

# 继电器模块

リレーモジュール  
Relay Module



Y402/Y402-P  
Y402-C/Y402-P-C



Y414/Y414-P  
Y414-C/Y414-P-C



Y414专利号: 201230201022.6 有关符合EU指令的产品请参阅附-35

注: Y402、Y414继电器在2017年已停产, 部分库存售完即止。

询问胜蓝  
0755-8886 0059 当日出货

## 特点 Features

- \* 采用4/8位继电器模组, 体积减少到最小;
- \* 以上两款模块对应所有端子接线的PLC的输出模块; 输入输出均采用端子连接; 继电器触点为IC接点, 每个接点均单独引出; 板内继电器线圈端内置有自恢复保险丝, 具有短路及过流保护功能, 以免损坏 PLC模块; 输出触点公用端独立, 常带常开触点;
- \* 采用LED动作显示, 各输入输出端状态一目了然;

- \* 采用4/8点リレーモジュールを採用して、体積減少に最小;
- \* 以上二タイプのモジュールは全ての端子接続のPLC出力モジュールに対応できます; 入力出力も端子で接続に採用していません; リレーはIC接点で、各接点は別のリードです; リレーコイルに自動回復ヒューズがあり、PLCモジュールを壊れないために、短路及び過電流保護機能をサポートします; 独立な出力接点公共側、ノーマルオープンとノーマルクローズ接点付け。
- \* LED動作表示を採用して、各入力出力側状態ははっきり見えます;

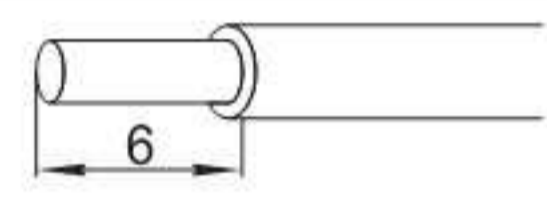
- \* Utilizes a 4 & 8 bit relay module for compact design to savespace;
- \* The above two modules are output modules corresponding to all PLC with terminal block connection; The relay contactor is IC point. All the points are fetched separately. The relay coil end has fuse, it has the function of short current and over current protection, avoiding damage the PLC; Output common terminal is an independent contact with normally open normally closed contacts.
- \* Terminal connection is used for both the input and output; Utilizes LED display, so all input and output statuses are visible;

### 注意事項 note

- 订购前请确认负载类型和大小, 选择使用合适方式进行控制。
- 触点保护方案请参考本章产品。
- 和PLC连接时, 请勿使用本公司开发的与之对应的专用电缆线。
- Before ordering, please confirm the load type and size, choose the suitable way to control.
- Contact protection scheme, please refer to this chapter products.
- When PLC connection, please be sure to use the company developed and the corresponding special cable.

## 适合电线 Suitable wire

1.5 mm<sup>2</sup>Following/ AWG16;  
剥线长度: 6mm



## 选型参考 Type selection reference

型号 Model	Y402/Y402-P Y402-C/Y402-P-C	Y414/Y414-P Y414-C/Y414-P-C
名称 Name	4位继电器模块	8位继电器模块

注: 在型号后加"C"为经济型, 如"Y402-C", 详情请咨询相关销售人员。  
Note: add "C" after the model for economy, such as "Y402-C", please consult relevant sales personnel for details.

## 适用PLC Suitable PLC

Panasonic (直接连接)		FR-C16T/C18CT(OUT) FR-C16P/C18CP(OUT) FR-C32T/C32CT/T32CT(OUT) FR-C32P/C32CP/T32CP(OUT) FR-E16T/F(OUT) FR-E32T/F(OUT)	FR0-E8YT FR0-E16YT FRΣ-C32(OUT) FRΣ-C28(OUT)
不限品牌 No brand	不限PLC Unlimited PLC		

## 规格参数 Specifications

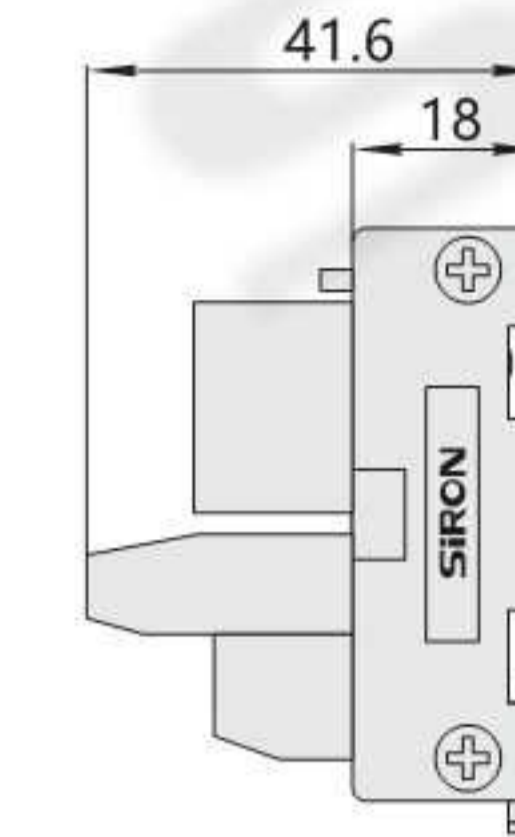
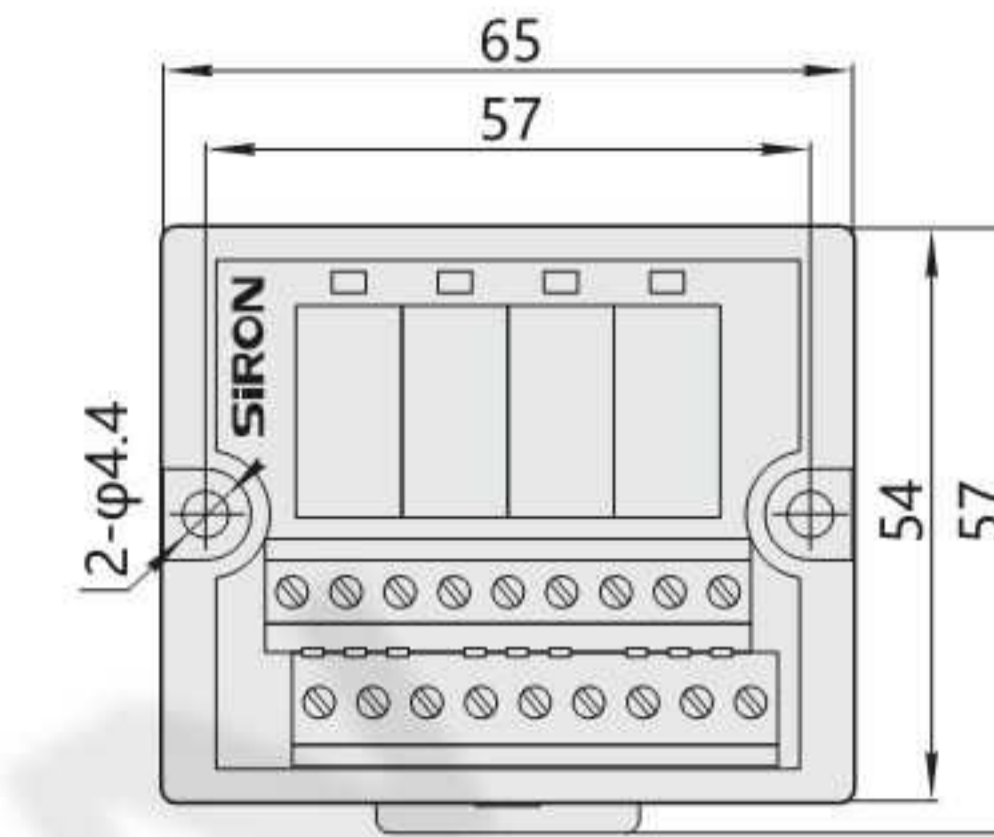
操作线圈 (继电器的每一点) Relay Coil Specifications	
额定电压(V) Nominal coil voltage	DC 24V
额定电流(MA) Nominal operating current	16.7mA
线圈电阻(Ω) Coil resistance	1400Ω
动作电压(V) Pick-up Voltage	More 80%
复位电压(V) Dropout Voltage	Following 5%
最大容许电压(V) Max. allowable voltage	130%
额定消耗功率(MW) Nominal operating power	400 MW
开关部 (继电器的每一点) Switch Circuit	
触点结构 Arrangement	1a/1b
触点接触电阻(初始) Initial contact resistance	100mΩ (Voltage drop through the DC6V1A France)
额定控制容量(电阻负载) Nominal switching capacity (resistive load)	No side 5A 250V AC, 2A 250V AC, 3A 30V DC; Nc side 2A 125V AC, 1A 250V AC, 1A 30V DC.
最大允许功率 Max. switching power (resistive load)	NO. 625VA, 90W; NC. 250VA, 30W
最大允许电压 Max. switching voltage	NO. 5A; NC. 2A
最大允许电流 Max. switching capacity	250V AC; 110V DC
最小适用负载 Min. switching capacity	DC 100mv 100uA
COM端 Max. switching capacity	5A
寿命 Mechanical	More than 10 <sup>7</sup> million times (Off frequency of 180 times/min)
电气寿命 Electrical	100, 000 times or more (3A 250AC, 30VDC, Resistive load)
输出侧对应 Corresponding output Devices	Solenoid, Warning Light, Relay or Contactor.

## 关联产品 Related products

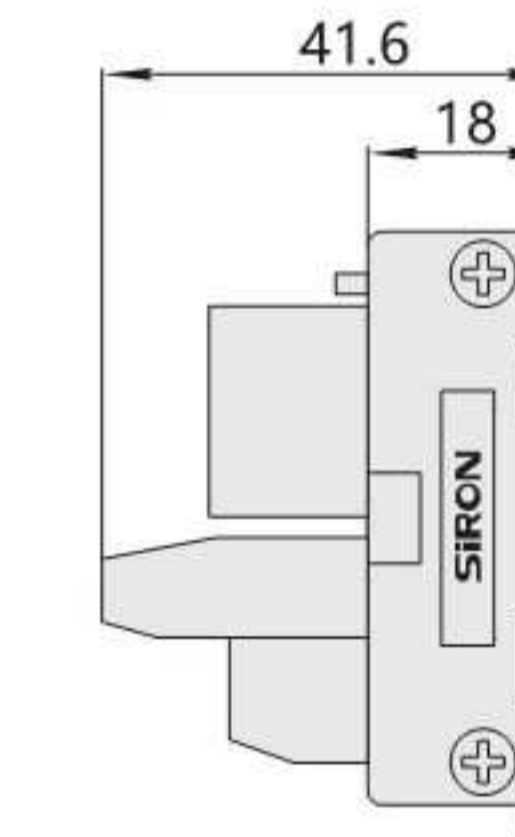
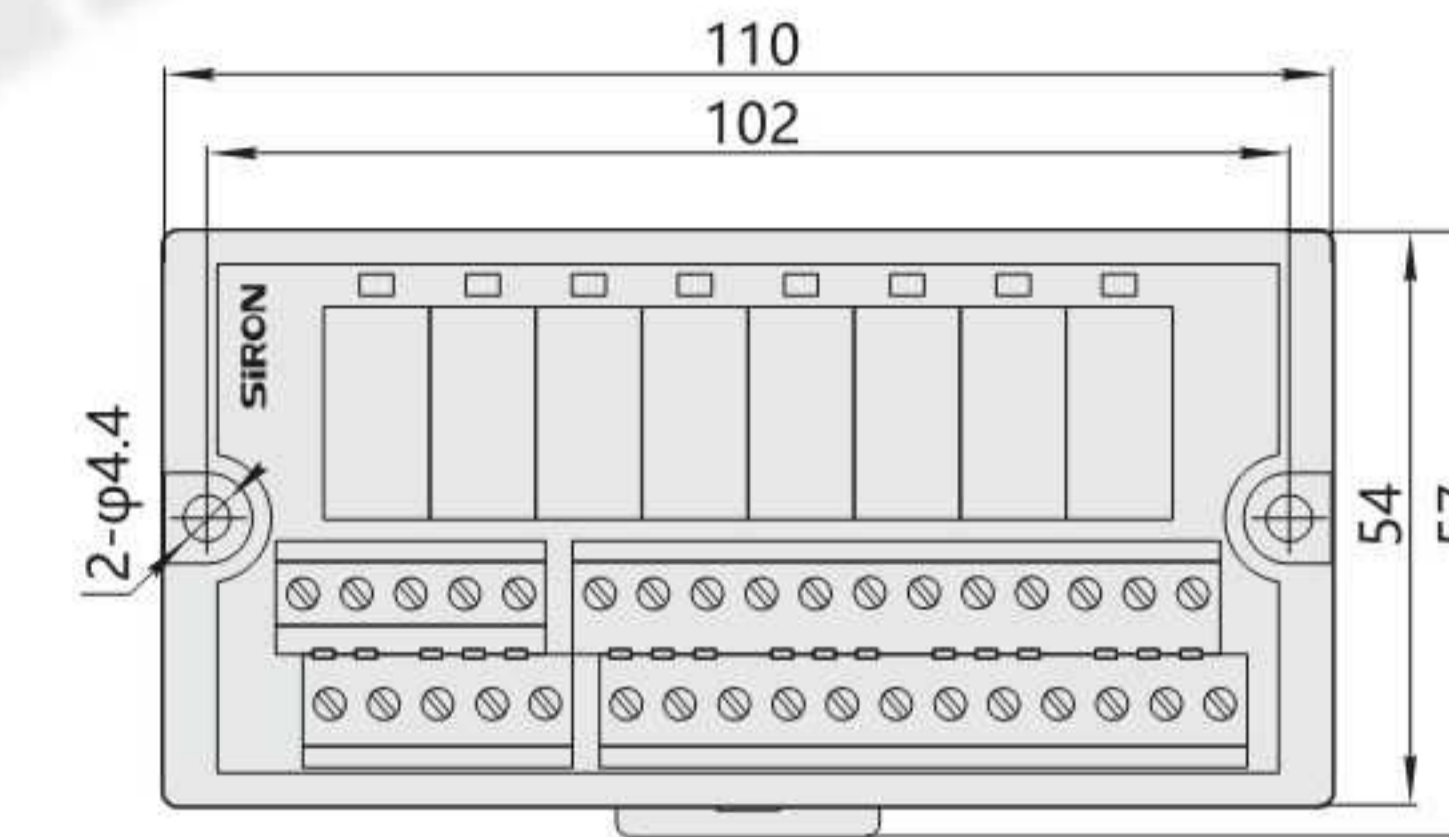
继电器配件 Relay accessories	Y921-24 /Y921-24-C P.161
----------------------------	--------------------------

## 外形图 Dimensions

Y402/Y402-P  
Y402-C/Y402-P-C



Y414/Y414-P  
Y414-C/Y414-P-C

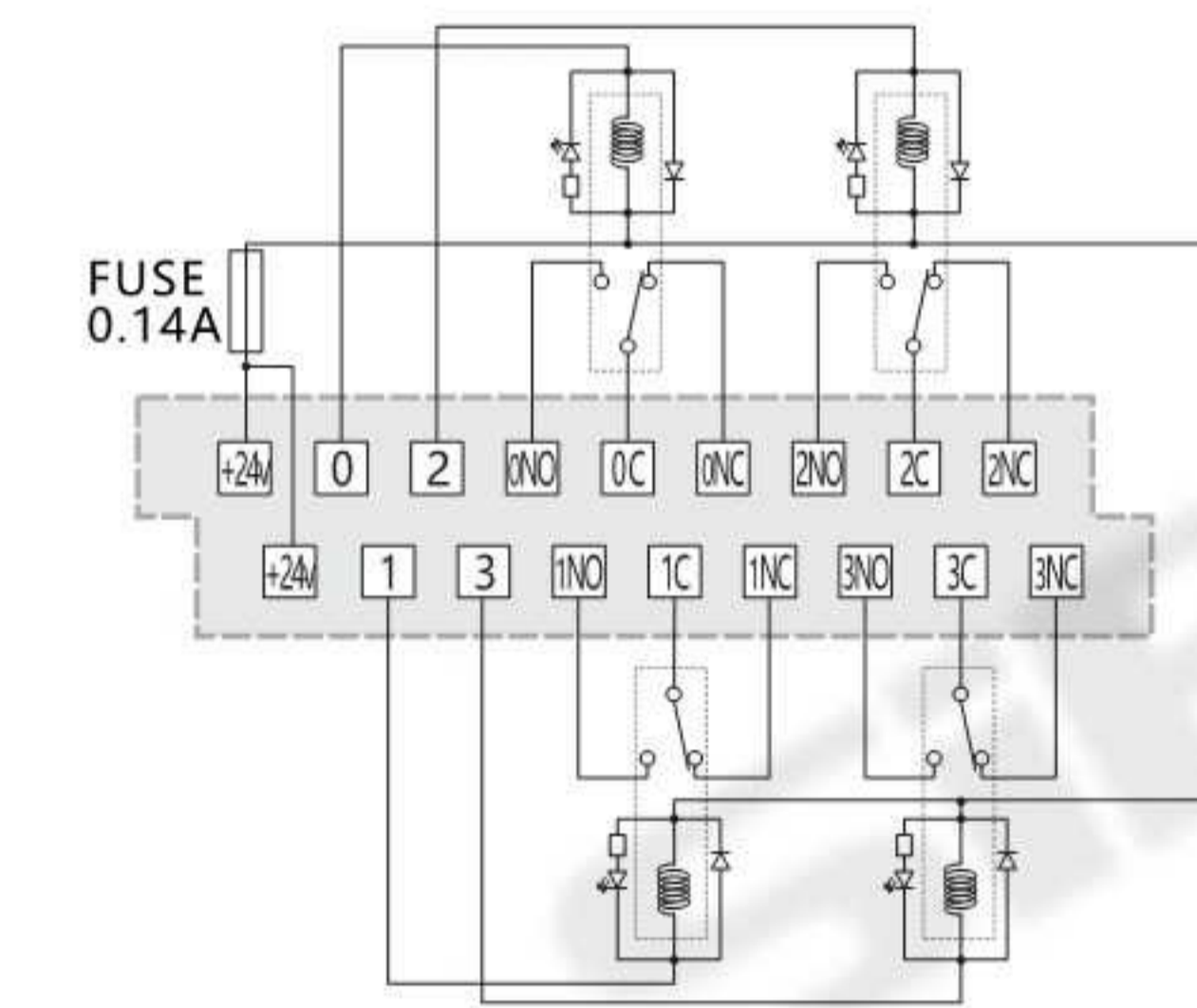


### 注意: note

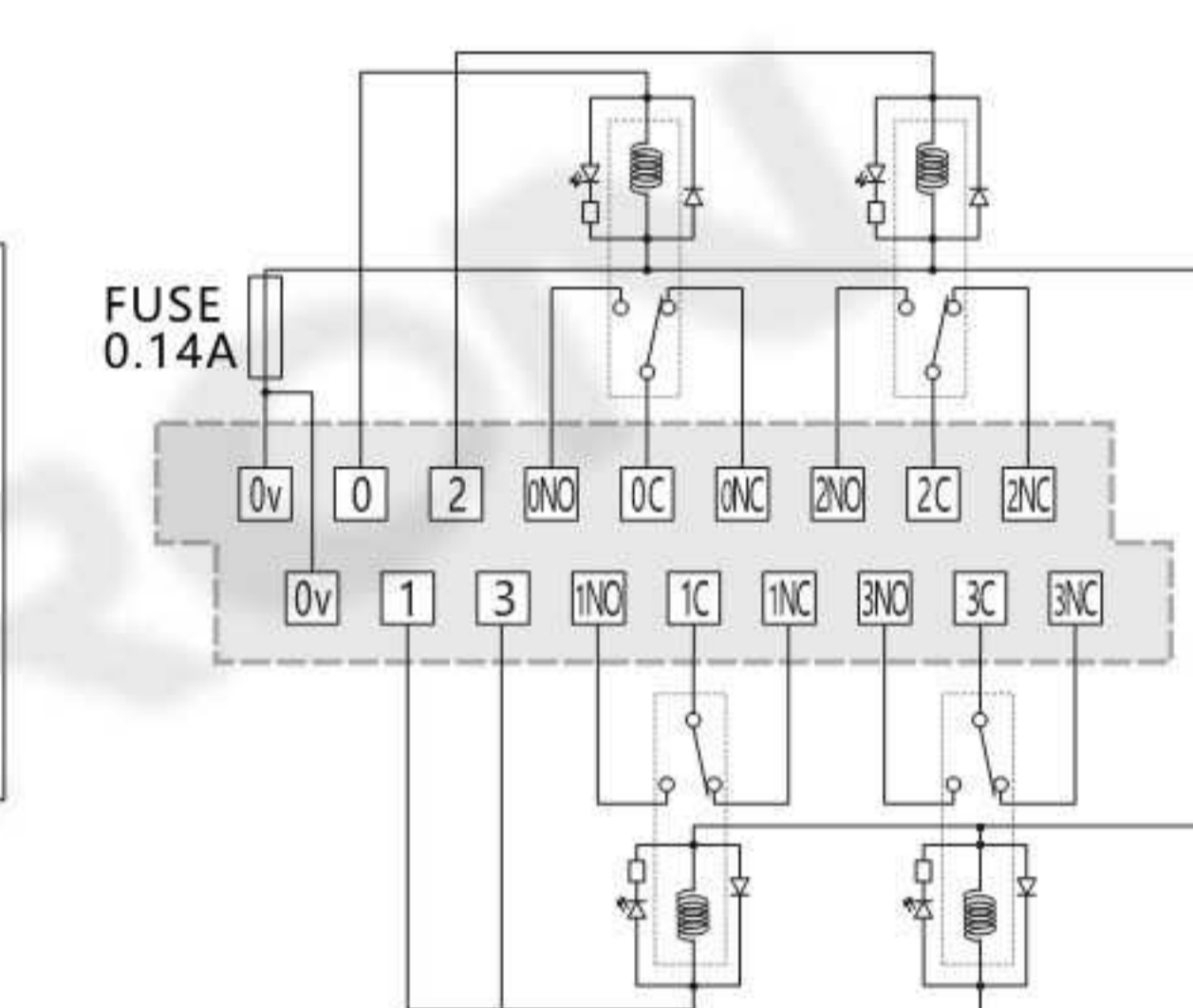
- 用2个M4的螺丝可固定在零件安装的地方。建议使用M4X16的螺丝, 螺纹孔深3mm以上。
- 可安装在标准35mm的DIN导轨上。
- Screw Mounting: use M4\*16 screw, screw hole depth ≥ 3mm.
- DIN Rail Mounting: Standard 35mm DIN RAIL.

## 配线图 Wiring Diagram

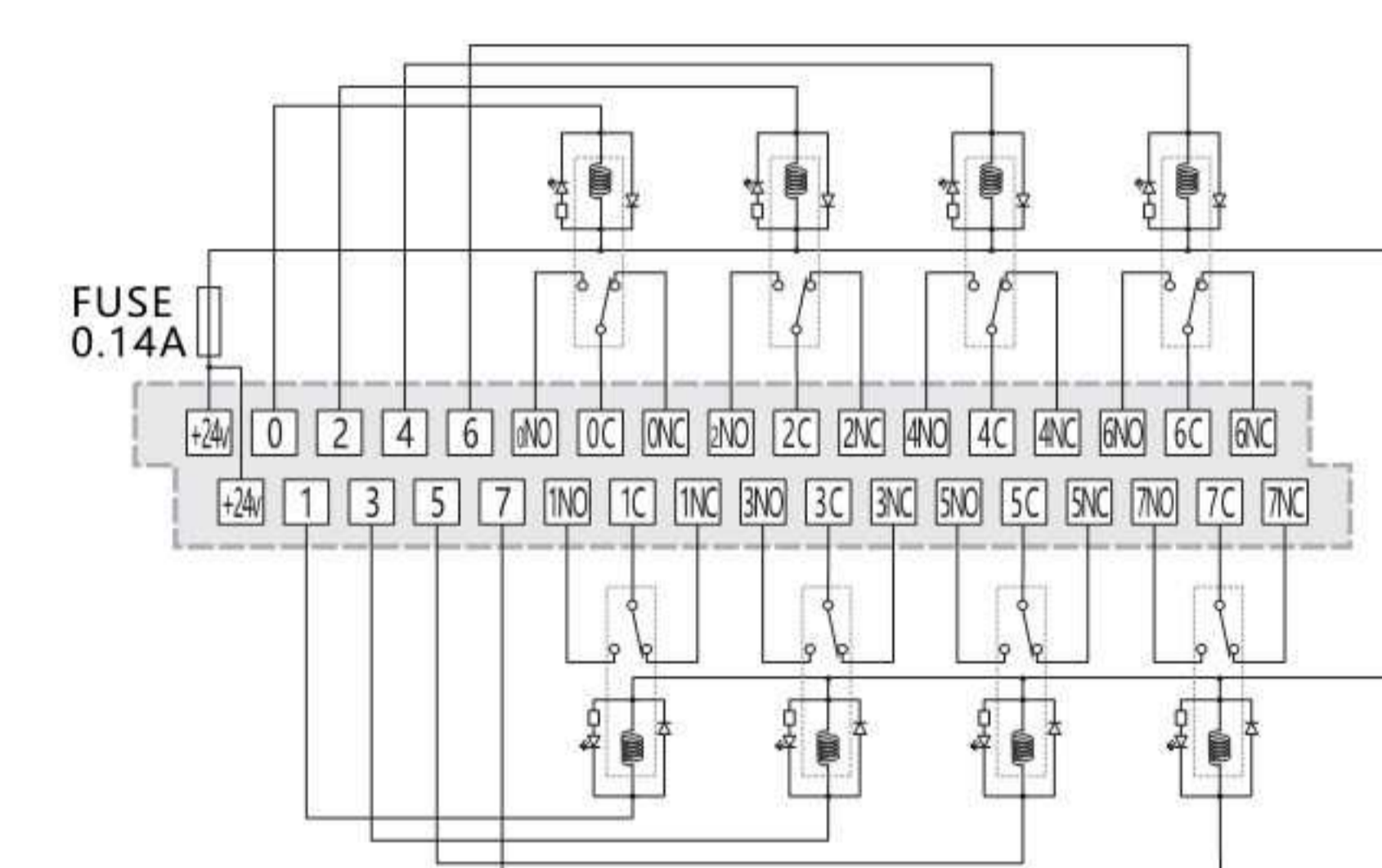
Y402/Y402-C



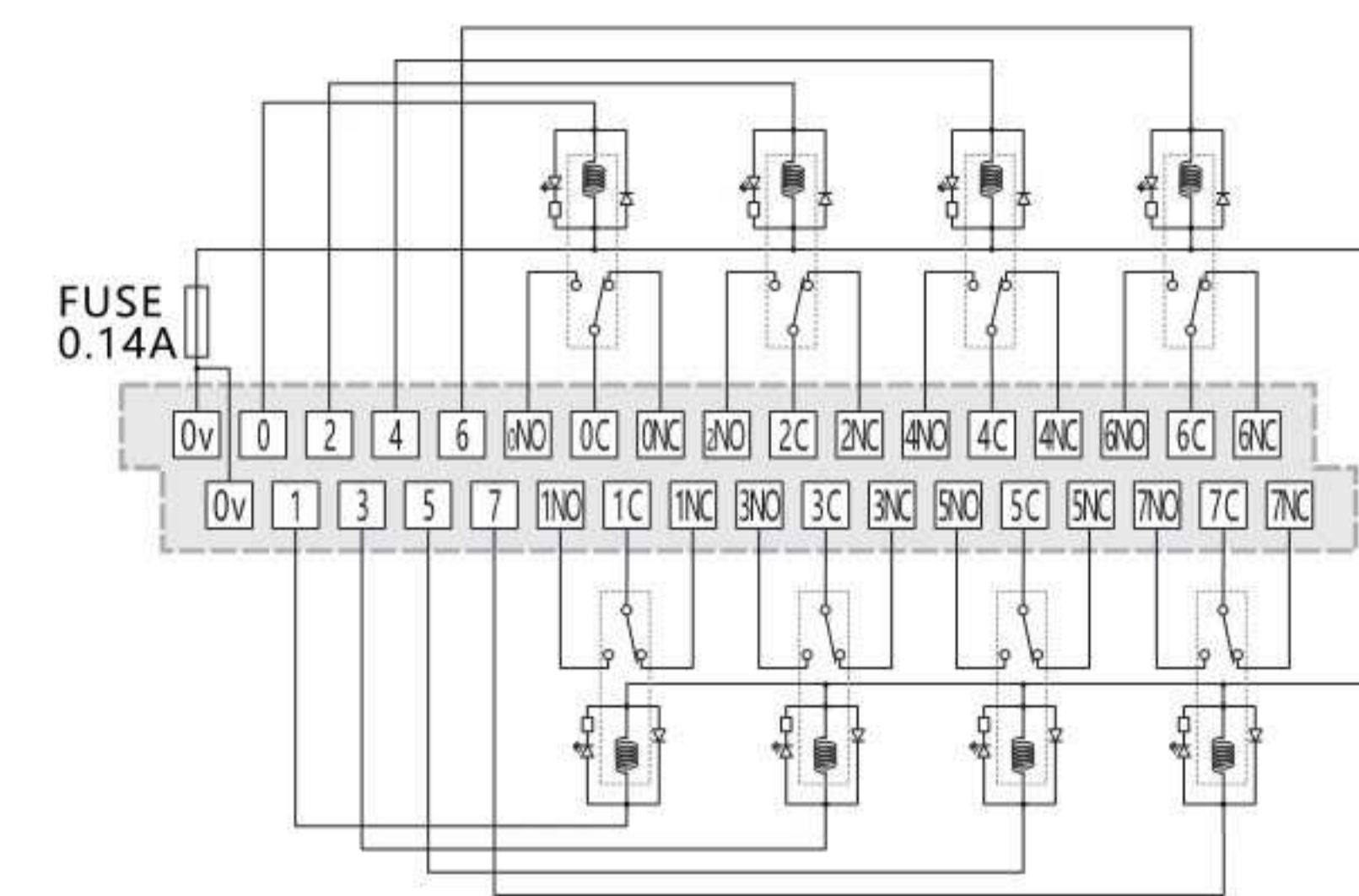
Y402-P/Y402-P-C



Y414/Y414-C



Y414-P/Y414-P-C



### 分类

T 总线模块

T 端子台

Y 电气控制

X 连接电缆

D 照明

H 电气配件

P 开关电源

G 辅材配件

F 气动附件