

8位继电器模块

8点リレーモジュール
8 bit Relay Module



Y410专利号: 200930166676.8
Y410-D专利号: 202121204696.1
Y411专利号: 200930166665.X
Y412/Y412-P专利号: 200930166675.3
Y413专利号: 200930166677.2

询问胜蓝 0755-8886 0059 当日出货

特点 Features

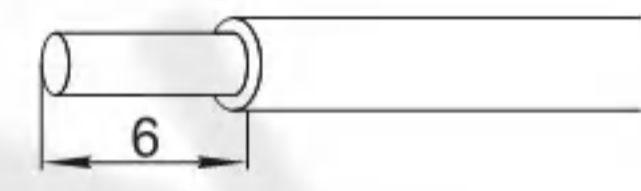
- * Y410/Y410-P模块对应所有端子接线的PLC的输出模块; 输入输出均采用单排端子连接;
- * Y410-A可插拔4位一组COM设计输出端;
- * Y411/Y411-P模块对应所有端子接线的PLC的输出模块; 采用单排端子台作输入端, 10P MIL连接器作输出端;
- * Y412/Y412-P采用10位MIL连接器作输入端, 单排端子台作输出端, 输出段预留两个COM口;
- * Y413/Y413-P输入输出端均采用MIL连接插座, 方便进行远距离配线连接;
- * 采用8位继电器模组, 体积减少到最小; 采用LED动作显示, 各输入输出端状态一目了然;
- * Y410/Y410-P模组是适用于所有端子接线的PLC出力模组, 输入输出均采用单排端子连接;
- * Y411/Y411-P模组是适用于所有端子接线的PLC出力模组, 输入输出均采用单排端子连接;
- * Y412/Y412-P采用10P MIL连接器作输入端, 单排端子台作输出端, 输出段预留两个COM口;
- * Y413/Y413-P采用MIL连接器作输入端, 单排端子台作输出端, 输出段预留两个COM口;
- * Y410/Y410-P module is an output module corresponding to all PLC with terminal block connection ; A single-strip terminal connection is used for both the input and output.
- * Y411/Y411-P module is an output module corresponding to all PLC with terminal block connection; A single-strip terminal block as the input end and a 10P MIL connector as the output end;
- * Y412/Y412-P utilizes a 10P MIL connector as the input end and a single-strip terminal block as the output end, output of electric shock are independent of each COM port
- * Y413/Y413-P utilizes MIL connection socket for both the input and output, facilitating remote wiring connection;
- * Utilizes an 8 bit relay module for compact design to save space; Utilizes LED display, so all input and output statuses are visible;

注意事项 note

- 订购前请确认负载类型和大小, 选择使用合适方式进行控制。
- 触点保护方案请参考本产品。
- 和PLC连接时, 请勿使用本公司开发的与之对应的专用电缆。
- Before ordering, please confirm the load type and size, choose the suitable way to control.
- Contact protection scheme, please refer to this chapter products.
- When PLC connection, please be sure to use the company developed and the corresponding special cable.

适合电线 Suitable wire

1.5 mm² Following/ AWG16;
剥线长度: 6mm



选型参考 Type selection reference

型号 Model	Y410/Y410-P/Y410-T Y410-C/Y410-P-C	Y410-A/Y410-D/Y410-AT Y410-A-C/Y410-D-C Y410-AT-C	Y411/Y411-P Y411-C Y411-P-C	Y412/Y412-P Y412-C Y412-P-C	Y413/Y413-P Y413-C Y413-P-C
名称 Name	8位继电器模块	8位可插拔继电器模块	8位继电器模块	8位继电器模块	8位继电器模块

- 注: 1. 在型号后加"C"为经济型, 如"Y410-C"
2. 在型号后加"O"为欧姆龙专用, 如"Y410-O"
3. 欧姆龙带插拔, 如"Y410-A-O"详情请咨询相关销售人员。

Note: 1. Add "C" after the model number for economical type, such as "Y410-C". 2. Add "O" after the model number for Omron exclusive use, such as "Y410-O". 3. For Omron pluggable, such as "Y410-A-O", please consult the relevant sales staff for details.

适用PLC Suitable PLC

不限品牌	不限PLC	不限PLC
Panasonic (直接连接)		FPO-C16T/C16CT(OUT) FPO-E8YT FPO-C16P/C16CP(OUT) FPO-E16YT FPO-C32T/C32CT/T32CT(OUT) FPO-C32(OUT) FPO-C32P/C32CP/T32CP(OUT) FPO-C28(OUT) FPO-E16T/P(OUT) FPO-E32T/P(OUT)
不限品牌	不限PLC	不限PLC

规格参数 Specifications

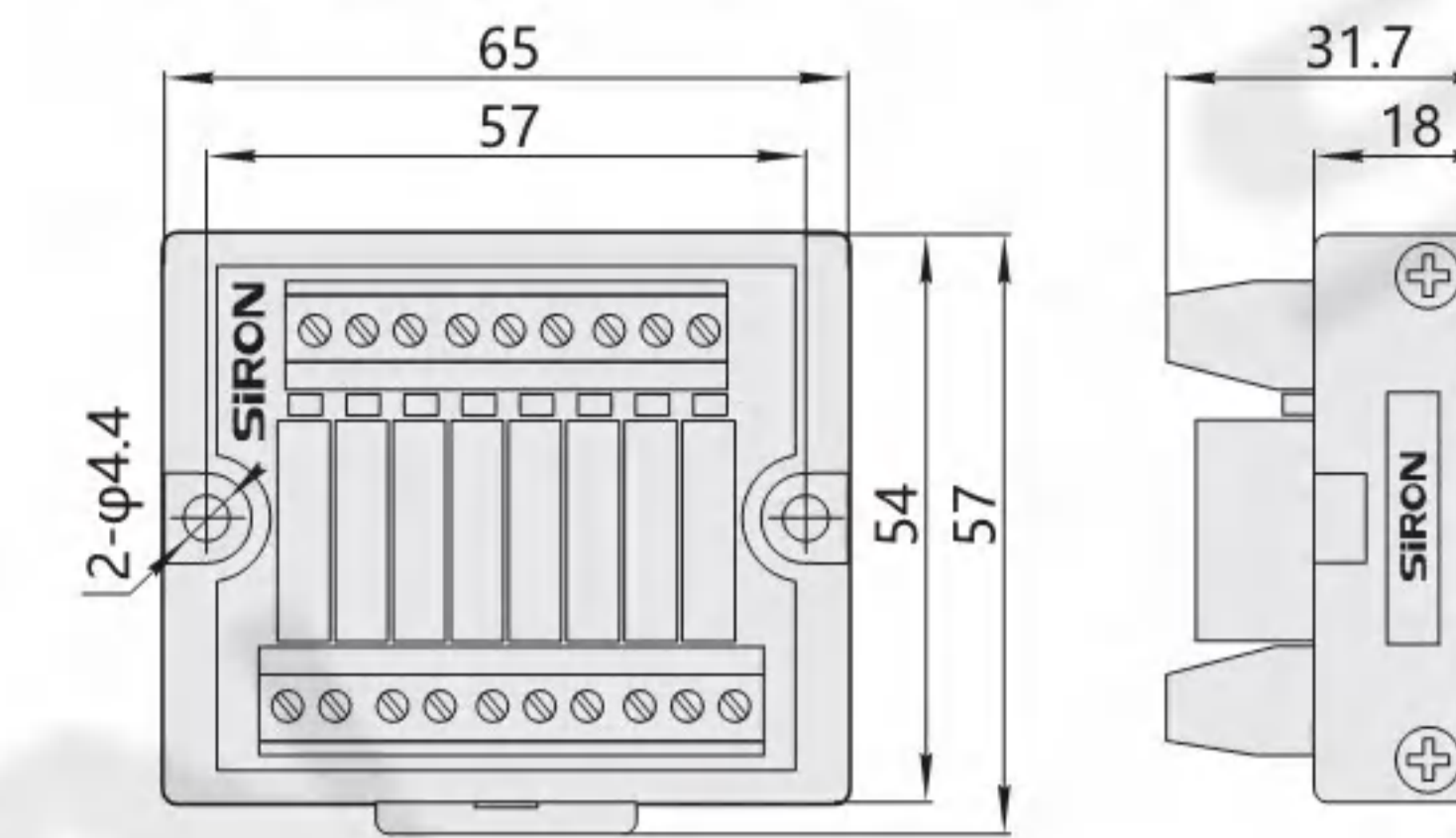
操作线圈 (继电器的每一点) Relay Coil Specifications	
额定电压(V) Nominal coil voltage	DC 24V
额定电流(MA) Nominal opening current	7.5mA
线圈电阻(Ω) Coil resistance	3200Ω
动作电压(V) Pick-up Voltage	More 70%
复位电压(V) Drop-out Voltage	Following 5%
最大容许电压(V) Max. allowable voltage	120%
额定消耗功率(MW) Nominal operating power	180 MW
开关部 (继电器的每一点) Switch Circuit	
触点结构 Arrangement	1a
触点接触电阻(初始) Initial contact resistance	30mΩ(Voltage drop through the DC6V1A France)
额定控制容量(电阻负载) Nominal switching capacity (resistive load)	5A 250V AC, 5A 30V DC
最大允许功率 Max. switching power(resistive load)	1250VA, 150W
最大允许电流 Max. switching current	5A
最大允许电压 Max. switching voltage	250V AC ; 110V DC
最小适用负载 Min. switching capacity	DC 100mv 100uA
COM端 Max. switching capacity	5A
寿命 Mechanical	
机械寿命 Mechanical	More than 20 million times(Off frequency of 180 times/min)
电气寿命 Electrical	100, 000 times or more(3A 250AC, 30VDC, Resistive load)
输出侧对应 Corresponding output Devices	
	Solenoid, Warning Light, Relay or Contactor.

关联产品 Related products

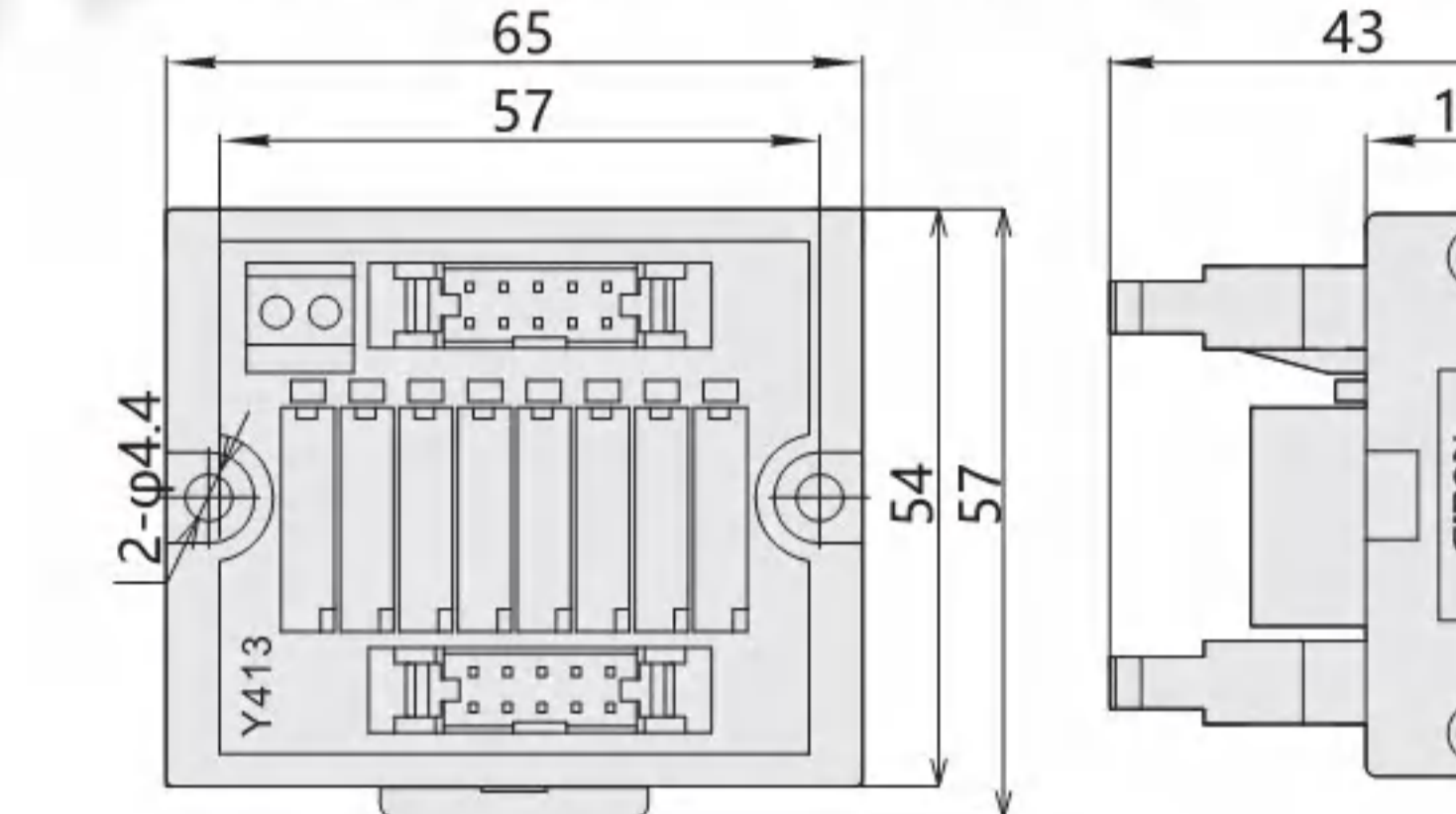
适用电缆 Suitable cable	X200-1 X210-1	X216系列缆线 X200-1X210-1
继电器配件 Relay accessories	Y920-24 / P.159	Y920-24-C / P.159
		Y900-4 / P.159

外形图 Dimensions

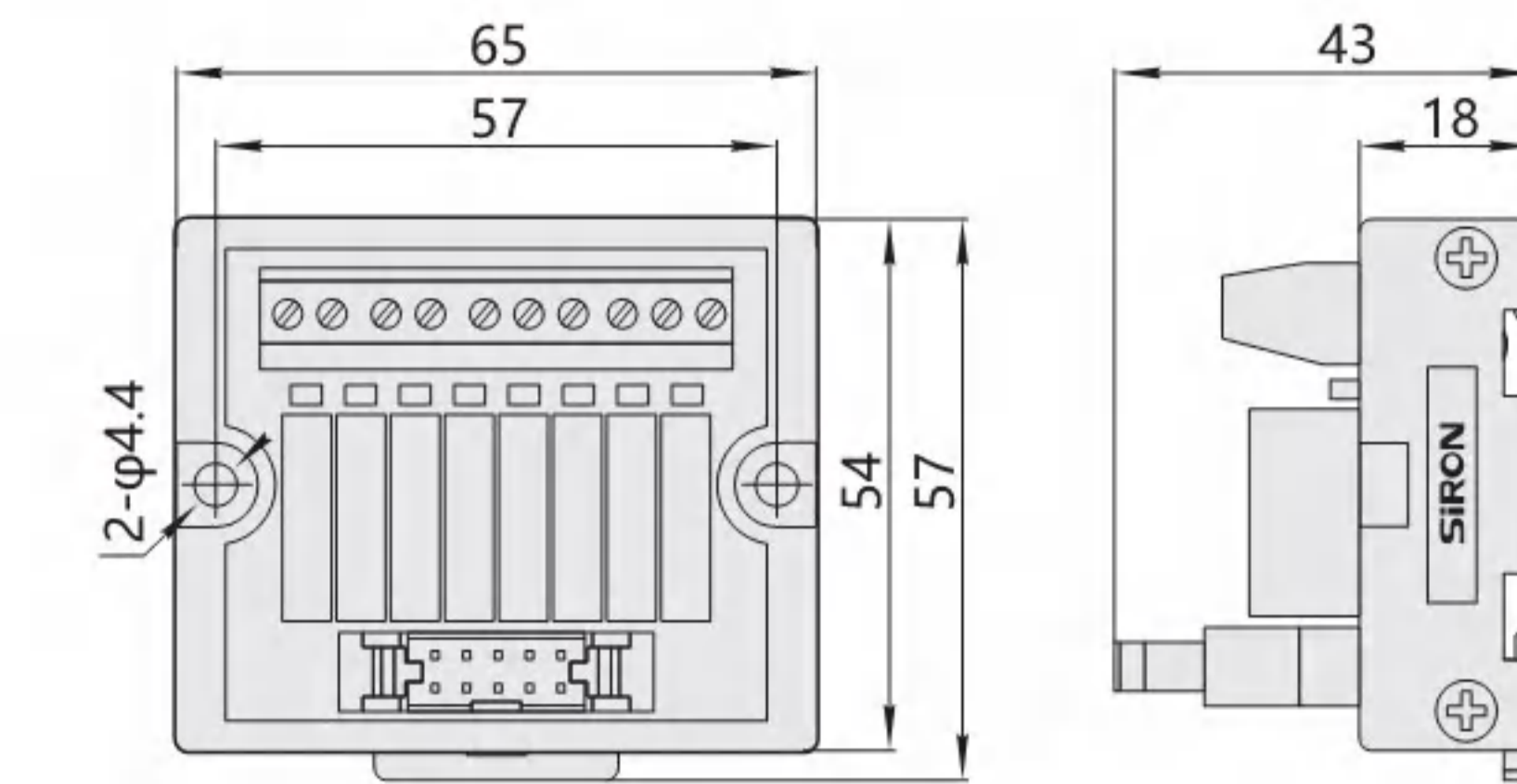
Y410/Y410-P/Y410-A/Y410-AT
Y410-T/Y410-D/Y410-D-1/Y410-C/Y410-P-C
Y410-A-C/Y410-AT-C/T410-T-C/Y410-D-C



Y413/Y413-P/Y413-C/Y413-P-C



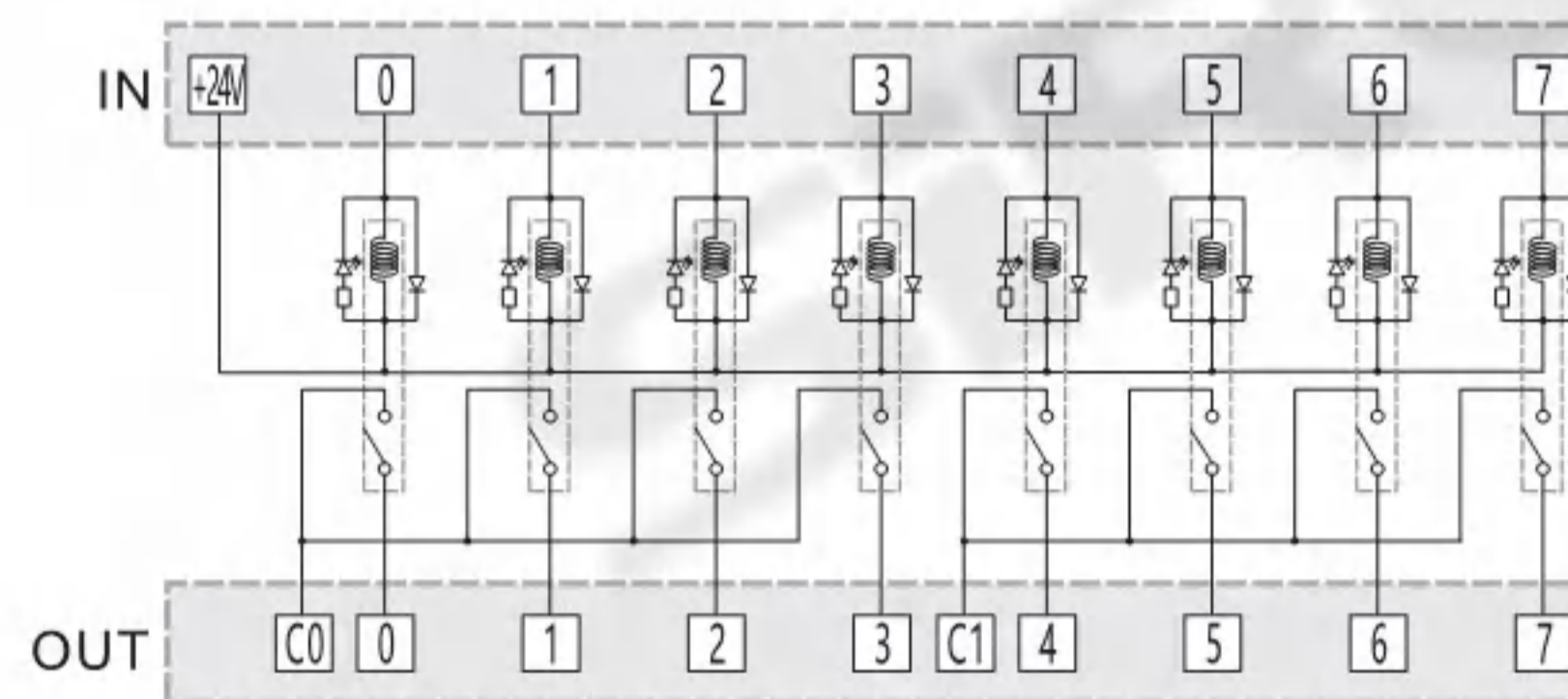
Y411/Y411-P/Y411-C/Y411-P-C
Y412/Y412-P/Y412-C/Y412-P-C



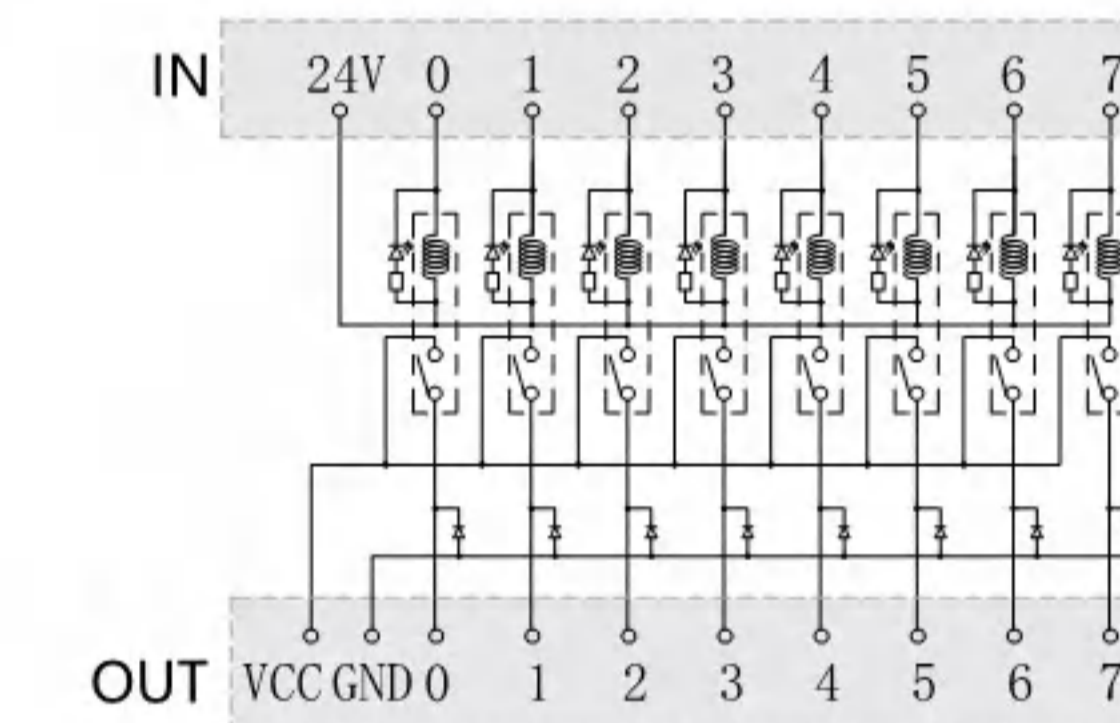
- 注: Y411/Y411-P和Y412/Y412-P外形图尺寸相同, Y410-T为簧片式继电器。
Note: Y411/Y411-P and Y412/Y412-P outline drawing size are the same, Y410-T is a shrapnel type relay.
- 用2个M4的螺丝可固定在零件安装的地方。建议使用M4X16的螺丝, 螺孔深3mm以上。
 - 可安装在标准35mm的DIN导轨上
 - Screw Mounting: use M4*16 screw, screw hole depth ≥ 3mm.
 - DIN Rail Mounting: Standard 35mm DIN RAIL.

配线图 Wiring Diagram

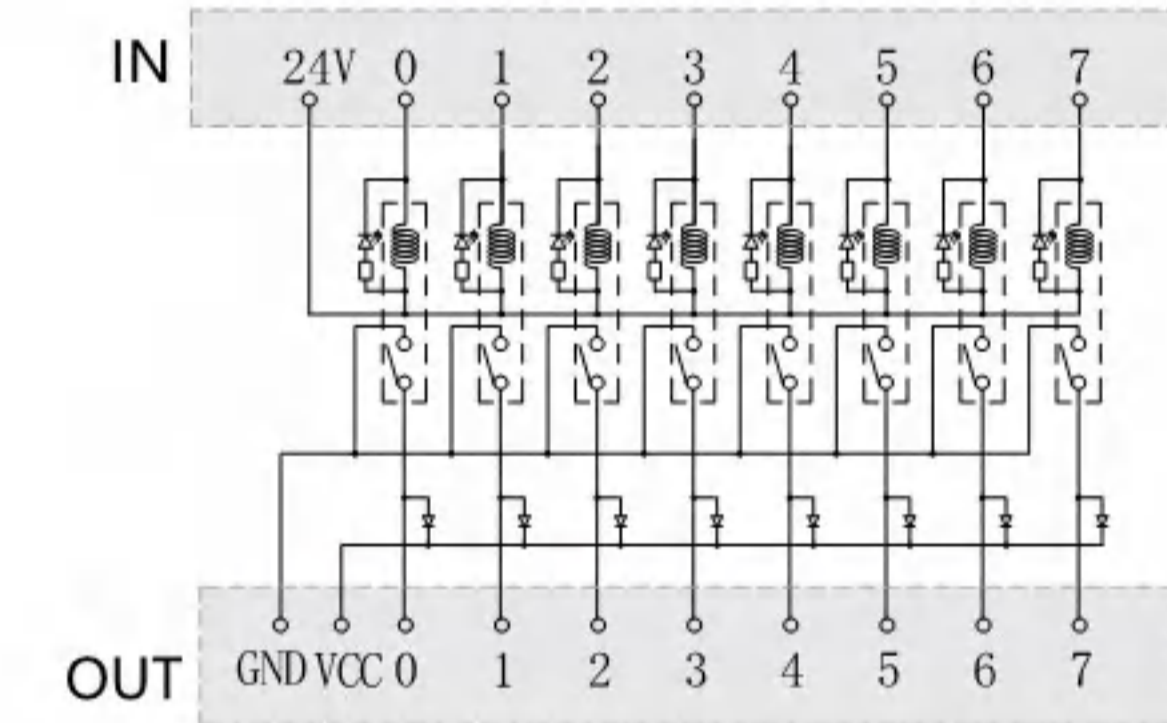
Y410/Y410-A/Y410-AT/Y410-T
Y410-C/Y410-A-C/Y410-AT-C
Y410-T-C



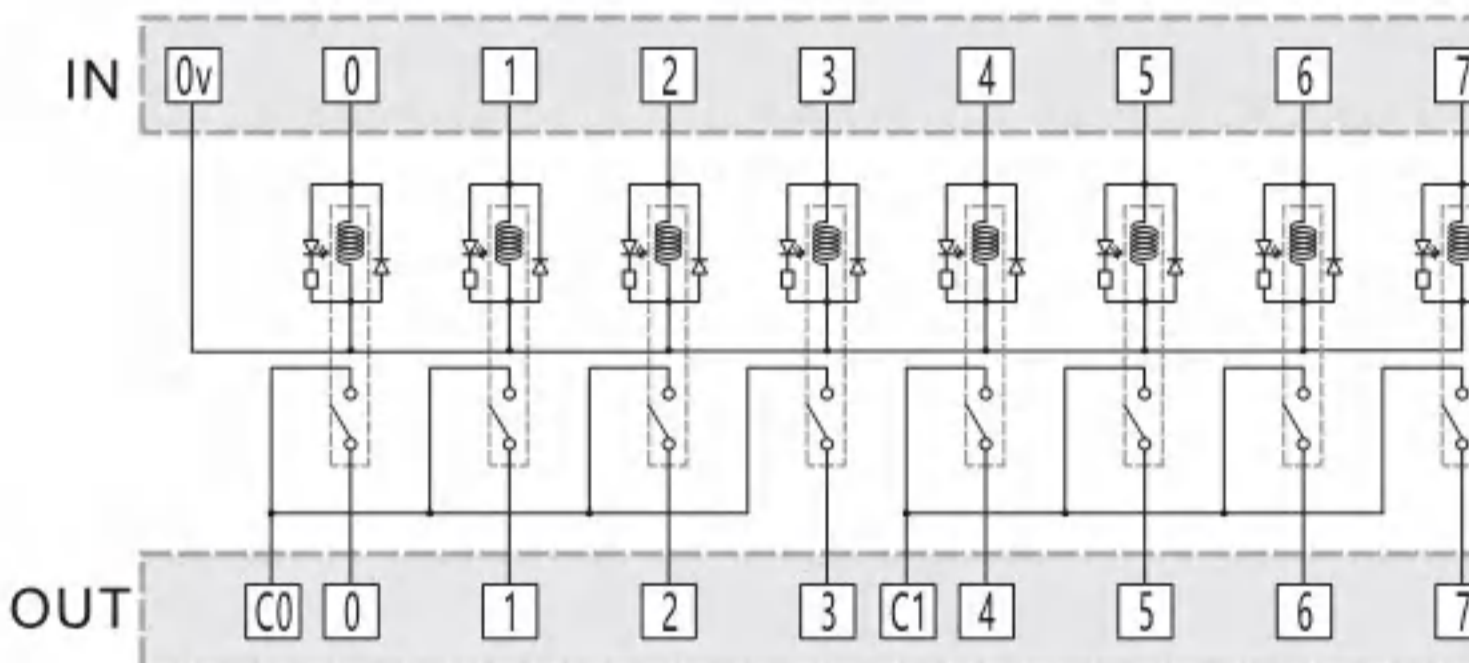
Y410-D/Y410-D-C



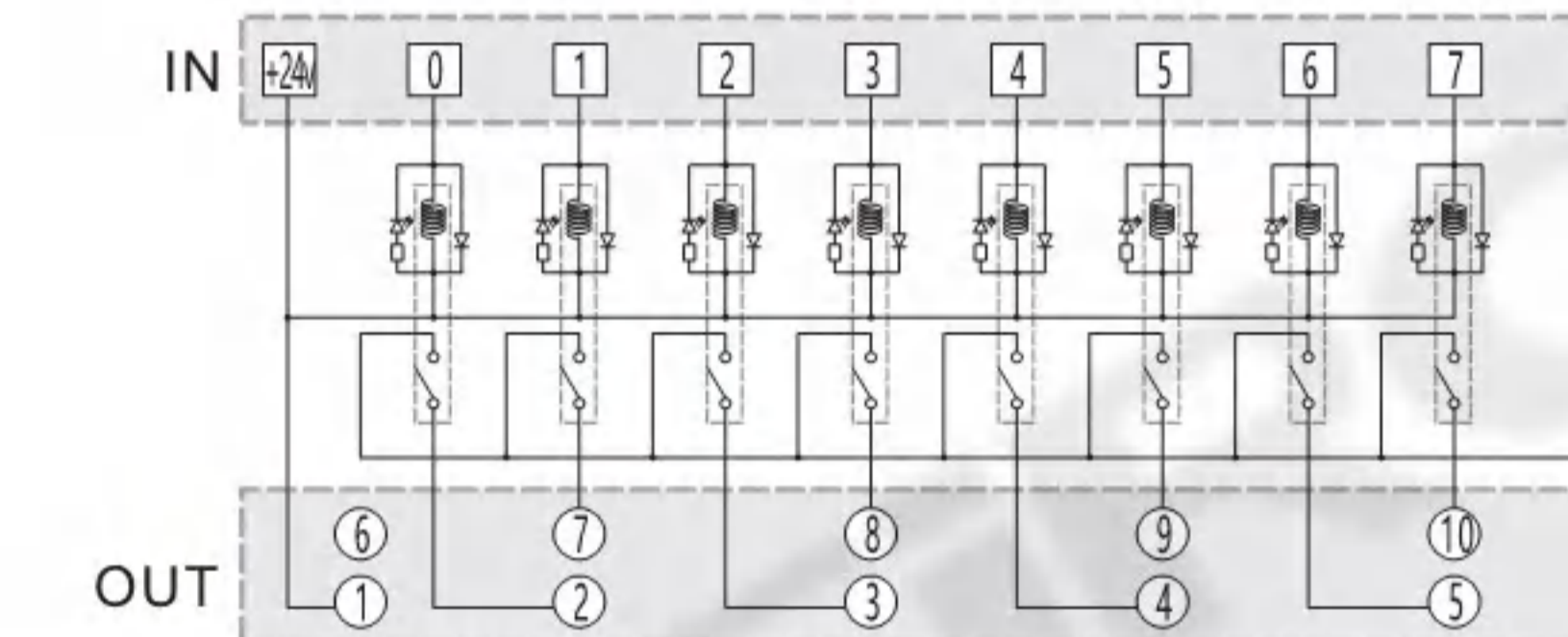
Y410-D-1



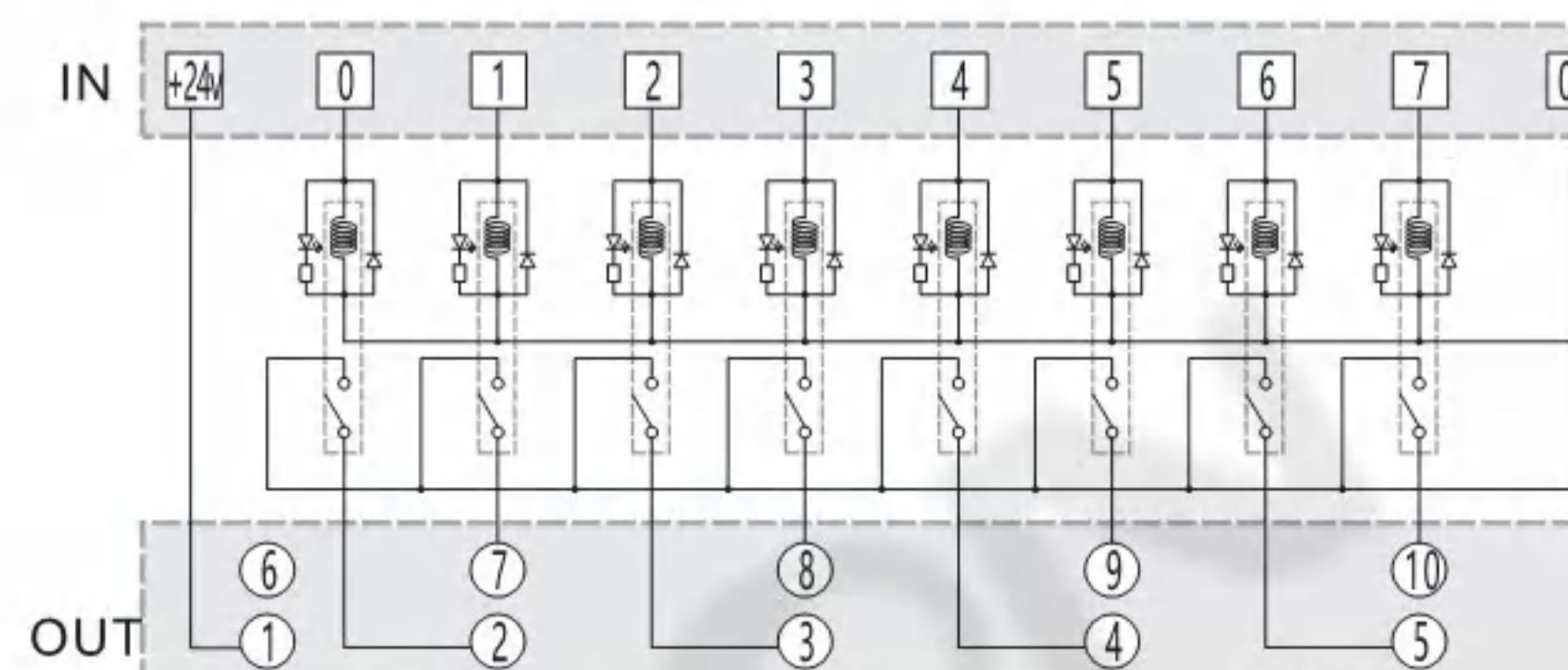
Y410-P/Y410-P-C



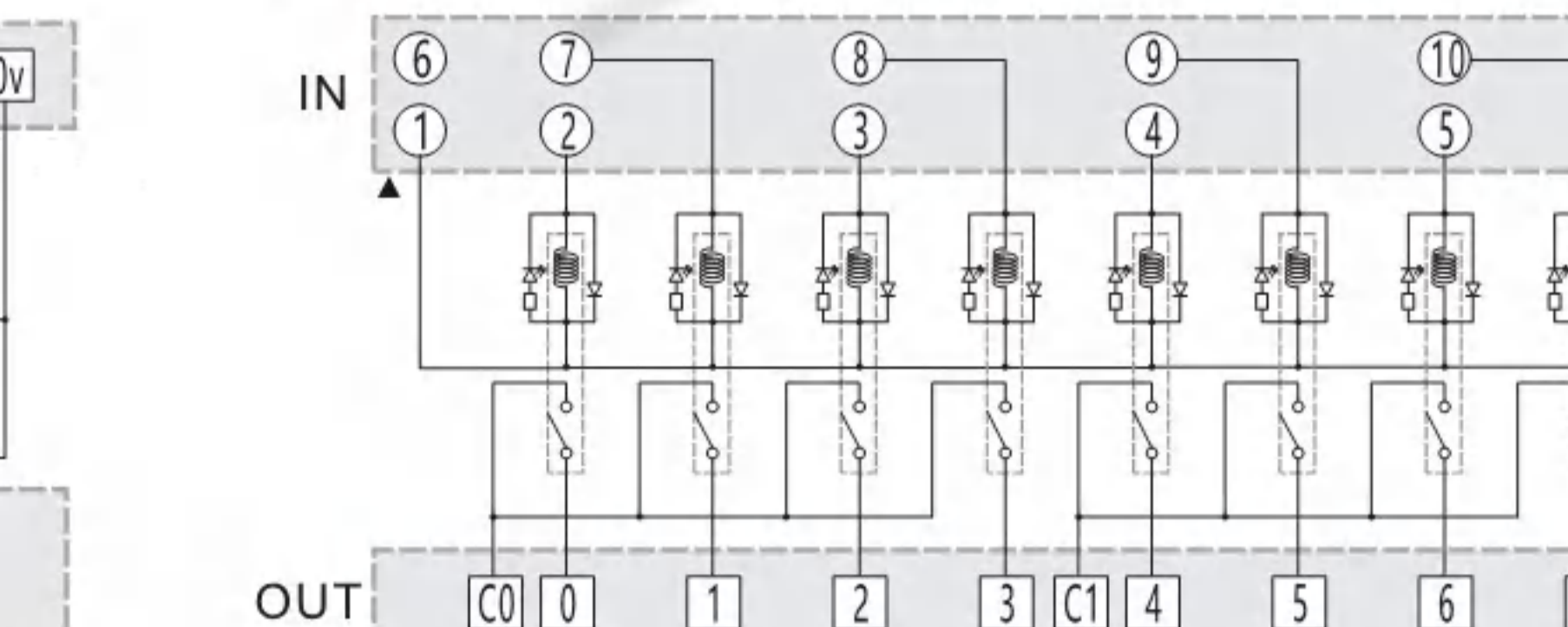
Y411/Y411-C



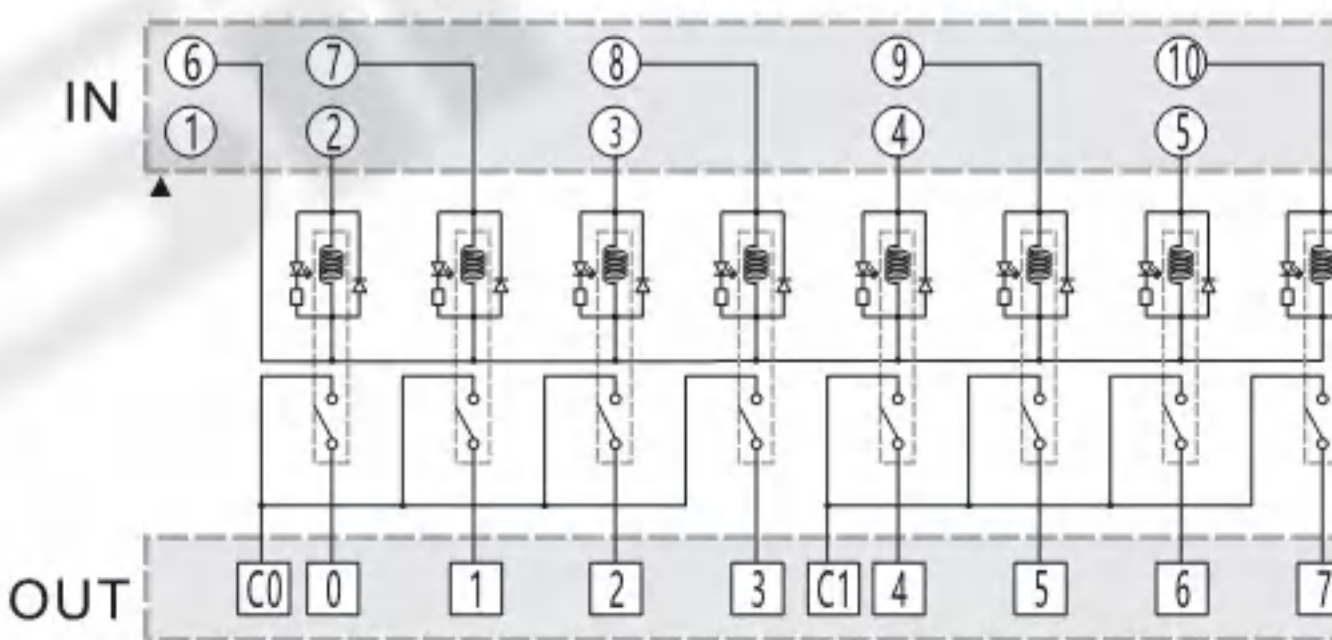
Y411-P/Y411-P-C



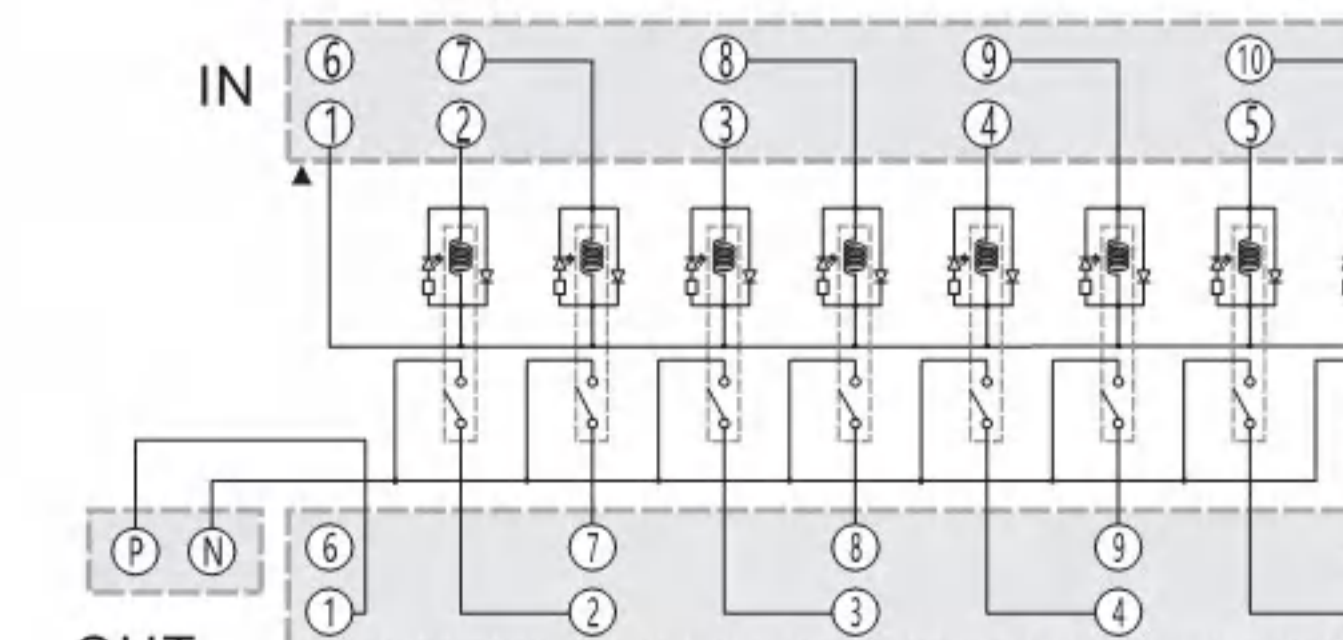
Y412/Y412-C



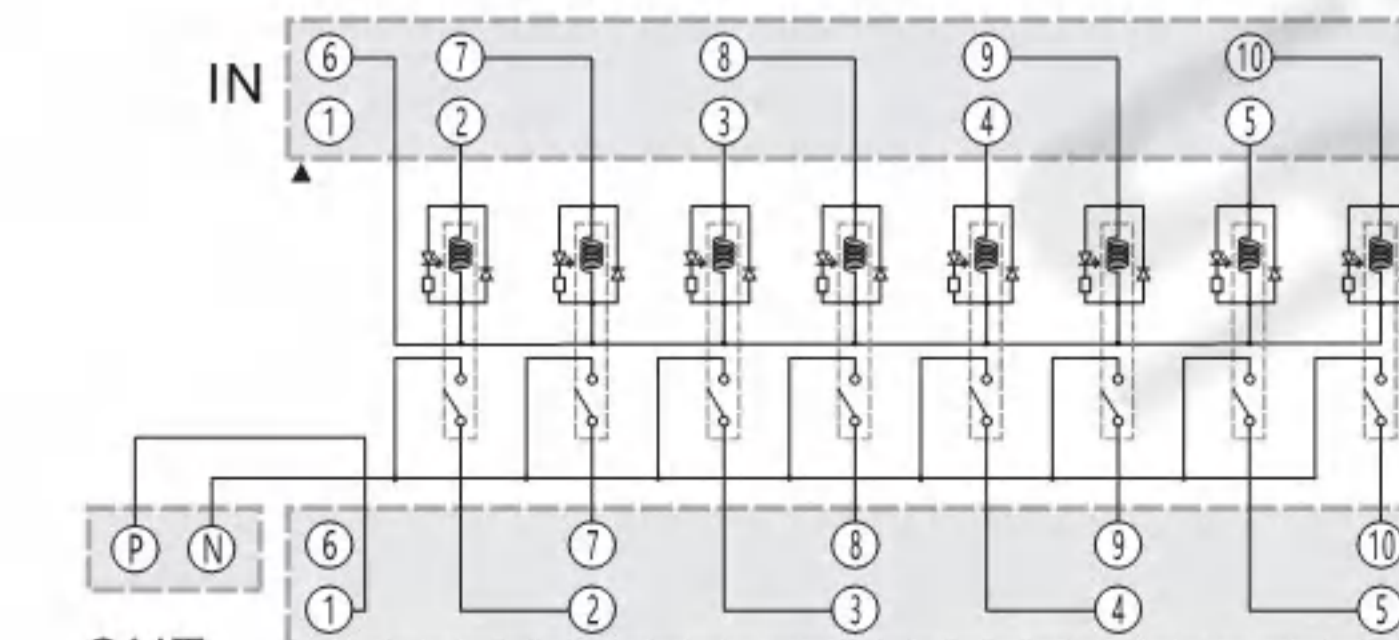
Y412-P/Y412-P-C



Y413/Y413-C



Y413-P/Y413-P-C



分类

T 总线模块

T 端子台

Y 电气控制

X 连接电缆

D 照明

H 电气配件

P 开关电源

G 辅材配件

F 气动附件