

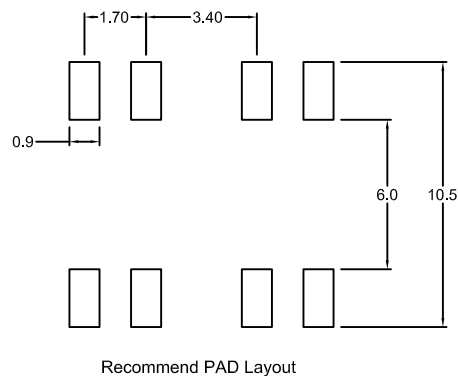
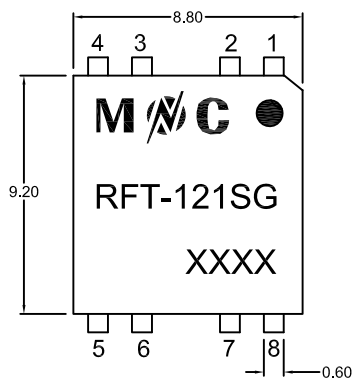
- RF Transformer
- Operating temperature range: 0°C to 70°C
- Storage temperature range: -40°C to +85°C
- RoHS compliant
- Impedance=100Ω



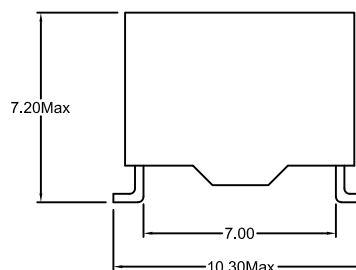
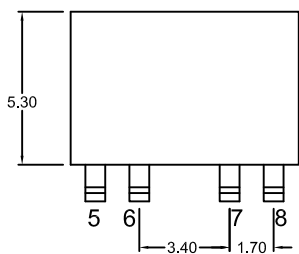
### Electrical Specifications @25°C, Z<sub>0</sub>=100Ω

Part Number	Turns Ratio	Insertion Loss	Hi-pot	Frequency Range
		P3-4:P6-5	700-1500MHz	P1-4 To P5-8
RFT-121SG	1:1±5%	6.0dB Max	4000Vac 60S	

## MECHANICAL



Recommend PAD Layout



Unless otherwise specified all tolerances are:±0.25 in mm

## SCHEMATICS

