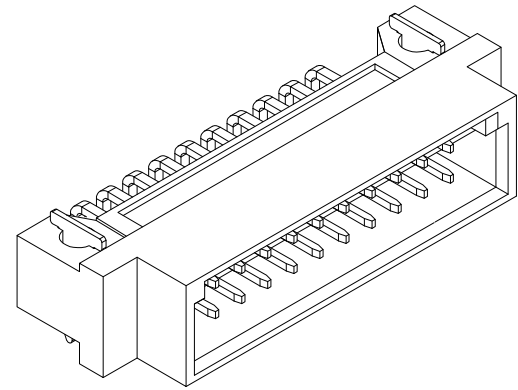
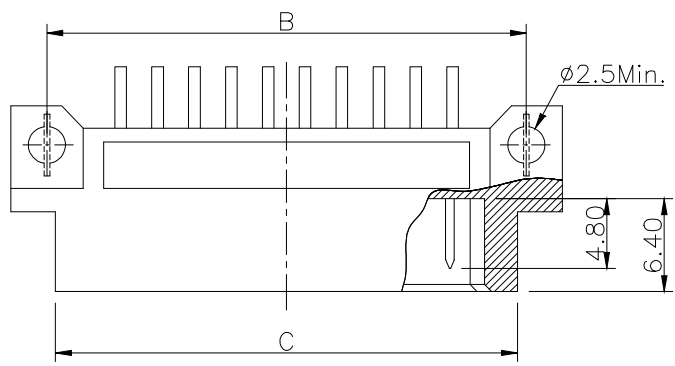


REV.	SPECIFICATION	ECN NO.	APPD.
R3		BCN140544	



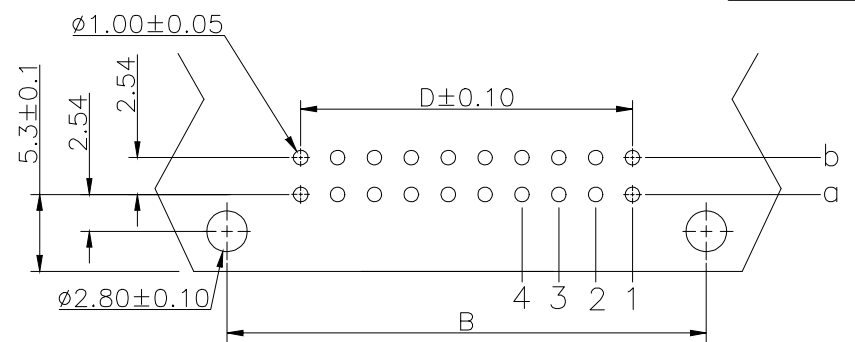
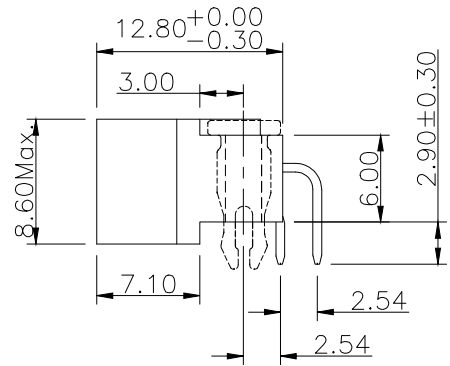
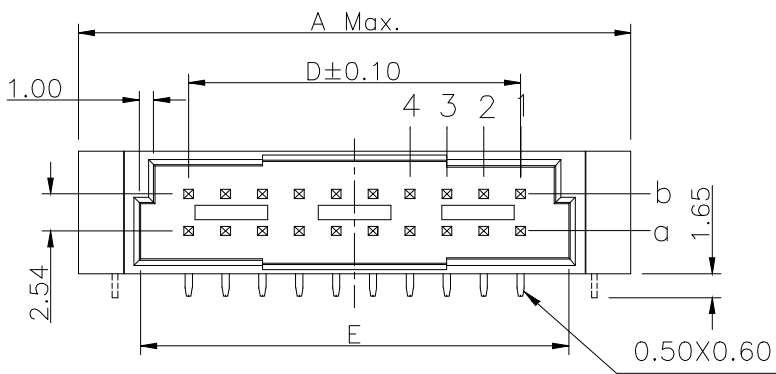
Material:

Housing: Thermoplastic Polyester Glass Filled UL94V-0.
 Contacts: Copper Alloy.
 Lock: Copper Alloy.

Electrical Characteristics:

Current Rating: 2 AMP.
 Dielectric Withstanding Voltage: AC 1000V For 1 minute.
 Insulator Resistance: 1000M Ω min. at DC 500V.
 Contact Resistance: 20m Ω max. at DC 100mA.
 Operating Temperature: -55°C ~+125°C .

***RoHS Compliant**



P.C. Board Layout
(Tolerance: $\pm 0.05\text{mm}$)

9001- 3 5 xx 1 C xx x A

Series
 3: 2.54mm
 5: Male
 Position
 1: Dip Length
 C: Dip Tin Contact Gold
 G: Gold

A: Tray Package
 Blank/W/O Lock
 L1: With Lock
 00: G/F
 10: 10 μ "
 15: 15 μ "
 30: 30 μ "

Pin	Dimension				
	A	B	C	D	E
8/4	22.80	17.78	16.56	7.62	14.16
10/5	25.34	20.32	19.10	10.16	16.70
12/6	27.88	22.86	21.64	12.70	19.24
16/8	32.96	27.94	26.72	17.78	24.32

9001-35041CxxxA		a-	04	2.54mm	
9001-35051CxxxA		a-	05		
9001-35061CxxxA		a-	06		
9001-35081CxxxA		a-	08		
9001-35081CxxxA		ab	08		
9001-35101CxxxA		ab	10		
9001-35121CxxxA		ab	12		
9001-35161CxxxA		ab	16		
P/N	Contact Arrange	Rows with Contacts	Pin		Pitch

Tolerances	Dwg. No.	9001D35016	Title:		9001 Series DIN41612 Half B type Male		 深圳市格林柏电子技术开发有限公司 P/N: 9001-35201CxxxA	
x = ± 0.5	Projection		Scale		1:1		SHEET	1/1
.x = ± 0.25	Unit	mm	Drawn By		T T 07/08'14		Ver.No.	R3
.xx = ± 0.15								