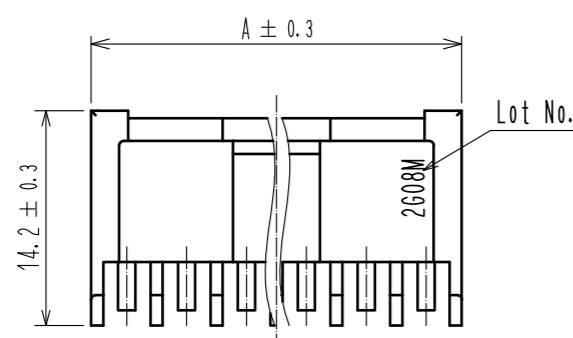
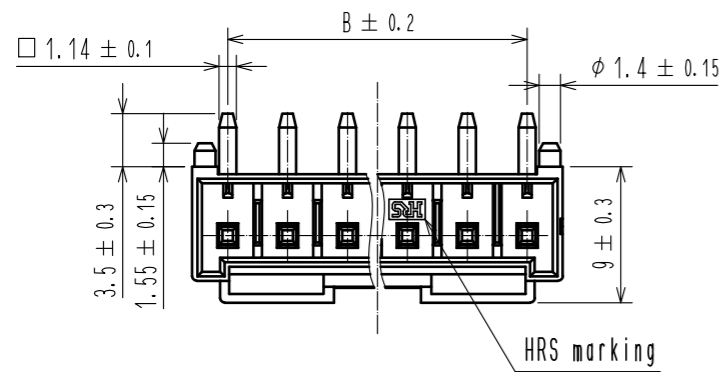
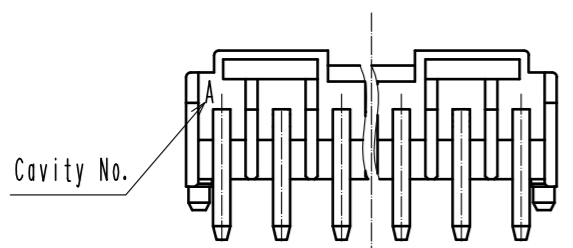


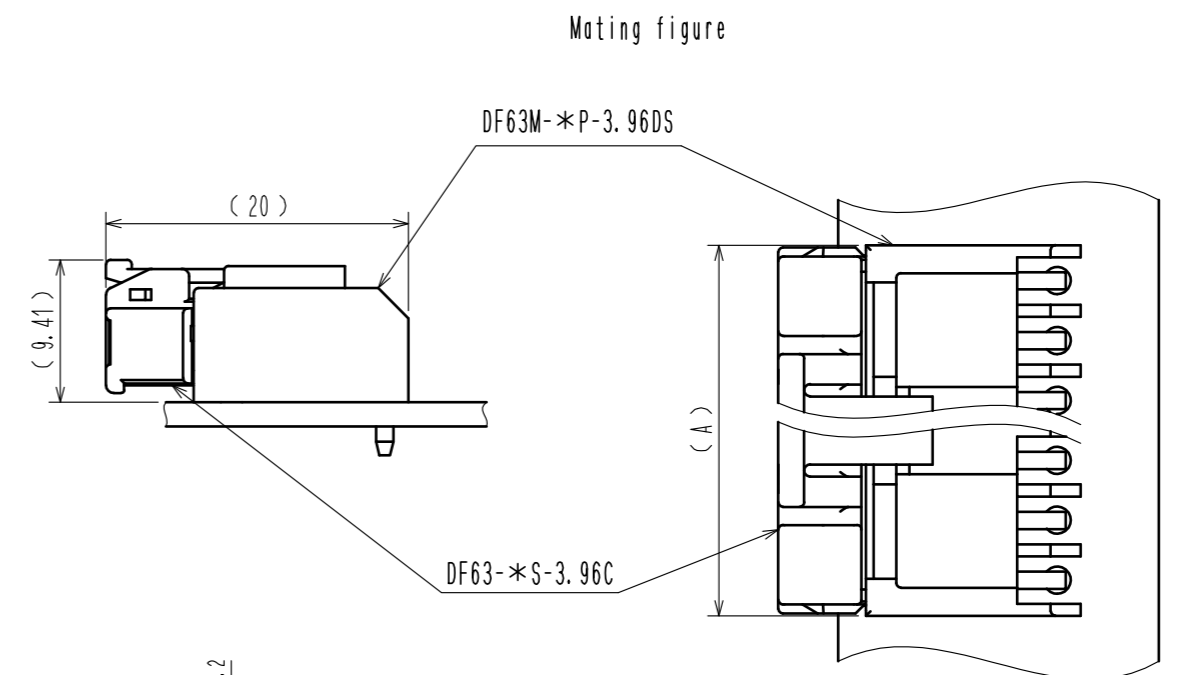
Dec.1.2021 Copyright 2021 HIROSE ELECTRIC CO., LTD. All Rights Reserved.
 In case of consideration for using Automotive equipment / device which demand high reliability, kindly contact our sales window correspondents.



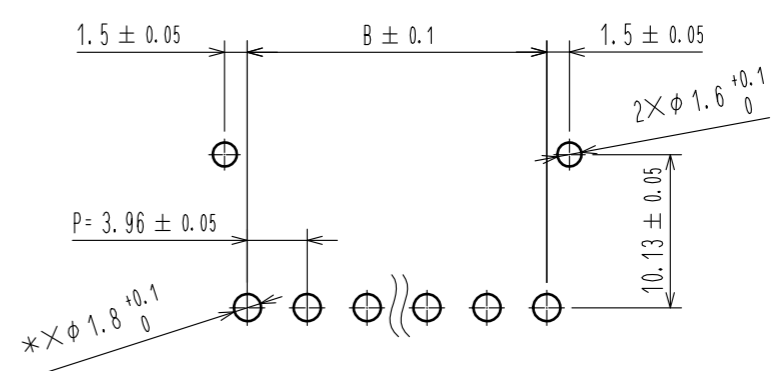
Contact No.1 marking



HRS DRAWING FOR REFERENCE



Recommended pattern(FREE)
 (Recommended board thickness t=1.6mm)



Part Number	HRS No.	Number of Contact(*)	A	B
DF63M-1P-3.96DS	680-0570-0	1	6.2	—
DF63M-2P-3.96DS	680-0571-0	2	8.66	3.96
DF63M-3P-3.96DS	680-0572-0	3	12.62	7.92

Note 1. Per pack : 100 pieces.
 2. The dimension in parenthesis are for reference.
 3. UL(FIle No. E52653)
 C-UL(Fie No. E52653)
 TUV(Certificate No. R50318850) authorization article.



1	PBT	UL94V-0(BLACK)	2	Brass	Tin plating 1μm MIN
NO.	MATERIAL	FINISH . REMARKS	NO.	MATERIAL	FINISH . REMARKS
UNITS mm		SCALE 2 : 1	COUNT 1	DESCRIPTION OF REVISIONS DIS-H-00004240	DESIGNED TS. KUMAZAWA
APPROVED : HS. OKAWA		20170915		DRAWING NO. EDC-378594-00-00	
CHECKED : TS. FUKUSHIMA		20170915		PART NO. DF63M-*P-3.96DS	
DESIGNED : HT. SATO		20170915		CODE NO. CL680-	
DRAWN : MI. SAKIMURA		20170915		DATE 20180925	
HRS HIROSE ELECTRIC CO., LTD.				1/1	