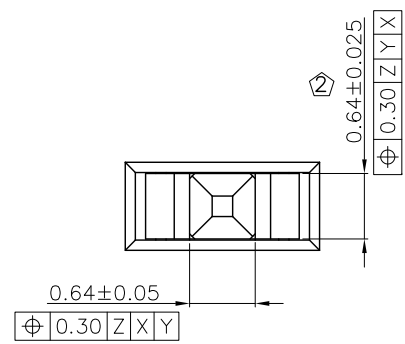
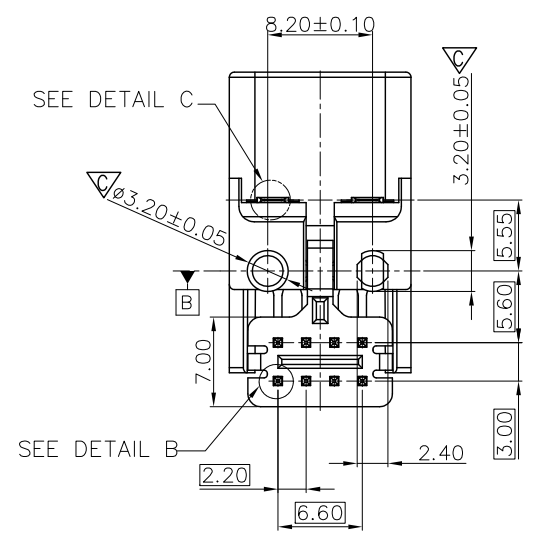
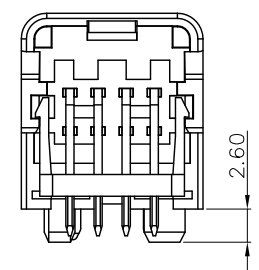
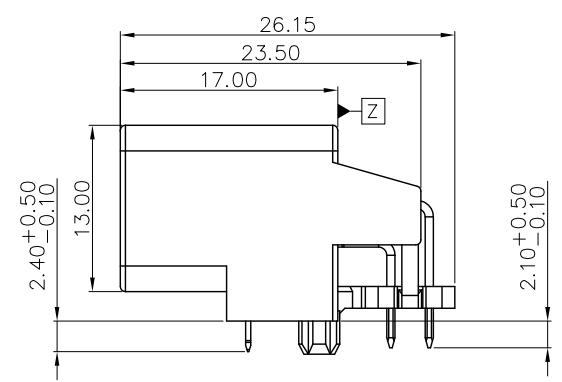
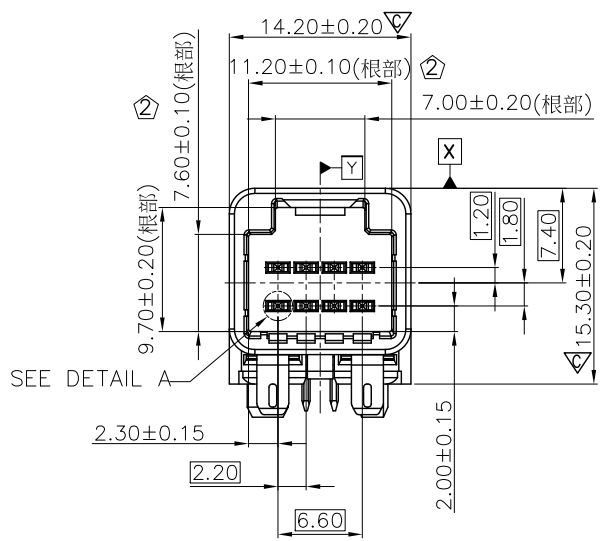
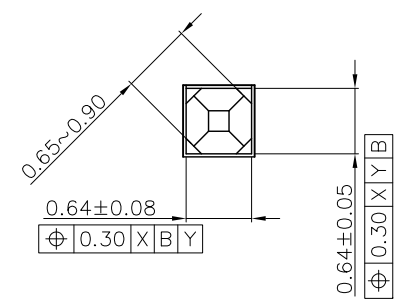


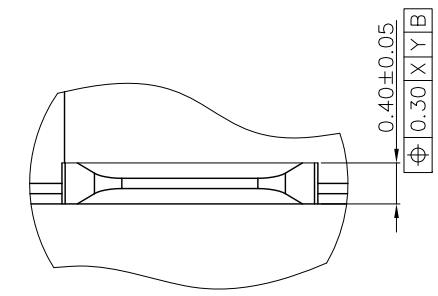
REV.	ECN Number	Description	Drawn
1	CS17030130	RELEASE	XPG_2017/04/17
②	E18050028	MODIFY DIM. TOLERANCE	XPG_2018/05/24
③	E18060001	INCREASE PART NO.	XPG_2018/06/01
④	E18070040	ADD VACUUM PACKING	XPG_2018/08/02



DETAIL A  
SCALE 8: 1



DETAIL B  
SCALE 8: 1



DETAIL C  
SCALE 8: 1



TOLERANCE UNLESS OTHERWISE SPECIFIED			
X.X	±0.30	X.°	±3°
X.XX	±0.20	X.X°	±2°
X.XXX		X.XX°	±1°

SCALE	1:1
UNIT	mm
SIZE	A4

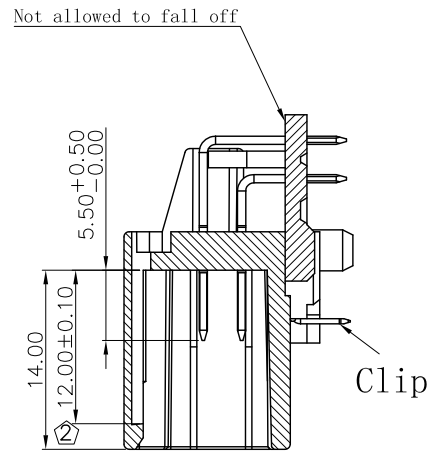
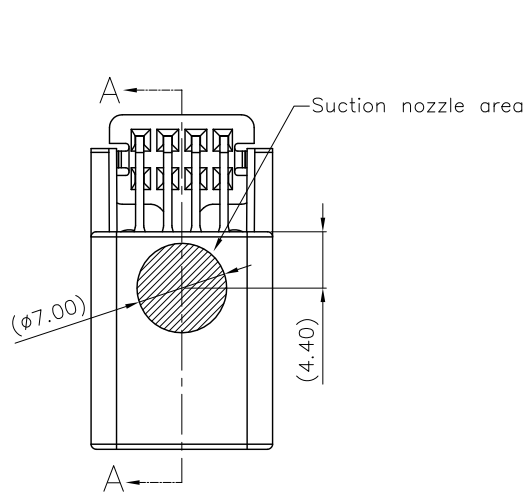
ORIGINAL DRAWN:  
Xu peiguang  
CHECK:  
Xie yong  
APPROVE:  
Ady zhou

DATE	2018.08.02
DATE	2018.08.02
DATE	2018.08.02

DWG NO.	600-0000-0202
PARTS NO. (INTENDED USE)	APC5-08XK-X-XXX

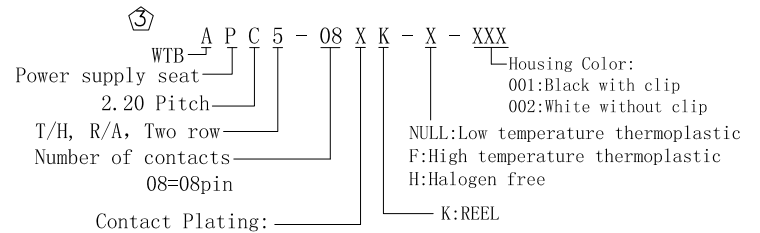
TITLE	PH2.2-8PIN R/A CONNECTOR CUSTOMER DRAWING
-------	--

REV.	4
SHEET	1/5

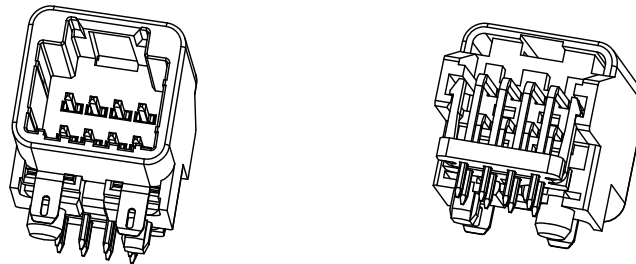
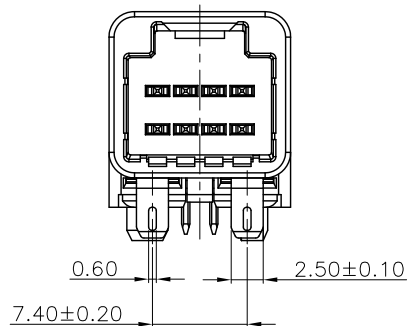


NOTES:

1. HOUSING MATERIAL: HIGH TEMPERATURE PLASTICS, UL94V-0.
2. CONTACT MATERIAL: COPPER ALLOY.
3. OPERATING TEMPERATURE RANGE:  $-40^{\circ}\text{C} \sim +105^{\circ}\text{C}$ .
4. STORAGE TEMPERATURE RANGE:  $-40^{\circ}\text{C} \sim +105^{\circ}\text{C}$ .
5. MINIMUM SOLDER STENCIL THICKNESS IS 0.12mm .
6. "▽" SIZE FOR CPK;
7. PRODUCT NUMBER MATRIX:



Definition	Code
☉ Matte Tin plated	A
☉ Gold plated over all	
Flash	B 1u" R 3u" C
5u"	D 10u" E 15u" F
20u"	G 25u" H 30u" J



ShenZhen ShenTai weixiang Electronics Co., Ltd.

TOLERANCE UNLESS OTHERWISE SPECIFIED

X.X	$\pm 0.30$	X.°	$\pm 3^{\circ}$
X.XX	$\pm 0.20$	X.X°	$\pm 2^{\circ}$
X.XXX		X.XX°	$\pm 1^{\circ}$

SCALE	1:1
UNIT	mm
SIZE	A4

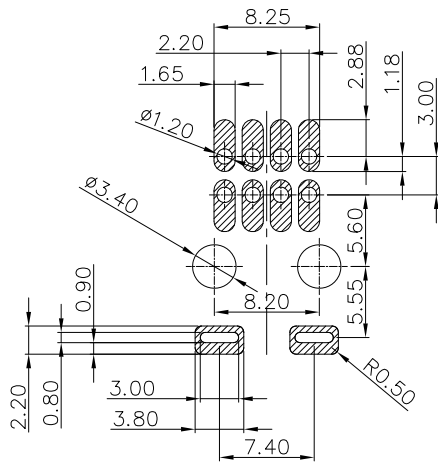
ORIGINAL DRAWN:  
Xu peiguang  
CHECK:  
Xie yong  
APPROVE:  
Ady zhou

DATE 2018.08.02  
DATE 2018.08.02  
DATE 2018.08.02

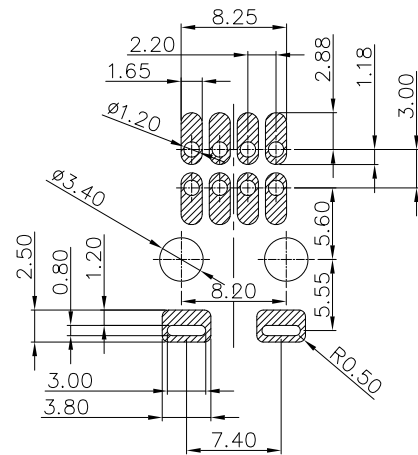
DWG NO. 600-0000-0202  
PARTS NO. (INTENDED USE) APC5-08XK-X-XXX

TITLE  
PH2. 2-8PIN R/A CONNECTOR  
CUSTOMER DRAWING

REV. 4  
SHEET 2/5

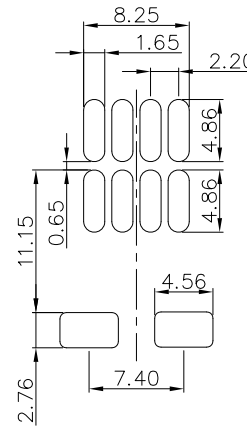


RECOMMENDED PCB LAYOUT (TOP SIDE)  
TOLERANCE  $\pm 0.05$

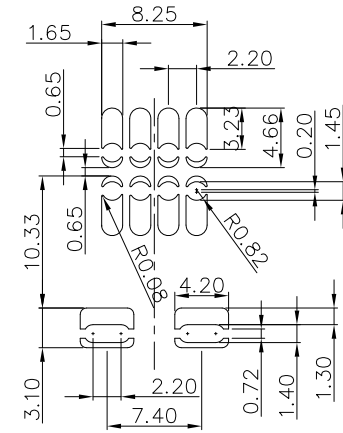


RECOMMENDED PCB LAYOUT (BOTTOM SIDE)  
TOLERANCE  $\pm 0.05$

PAD AREA



STEEL MESH (TOP SIDE)  $T \geq 0.12\text{mm}$



STEEL MESH (BOTTOM SIDE)  $T \geq 0.12\text{mm}$

BSTEEL MESH HOLE



ShenZhen ShenTai weixiang Electronics Co., Ltd.

TOLERANCE UNLESS OTHERWISE SPECIFIED

X.X	$\pm 0.30$	X.°	$\pm 3^\circ$
X.XX	$\pm 0.20$	X.X°	$\pm 2^\circ$
X.XXX		X.XX°	$\pm 1^\circ$

SCALE	1:1
UNIT	mm
SIZE	A4

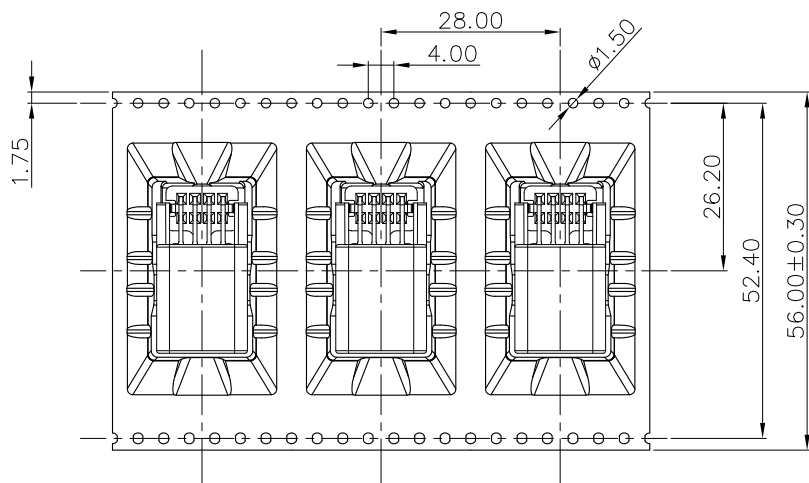
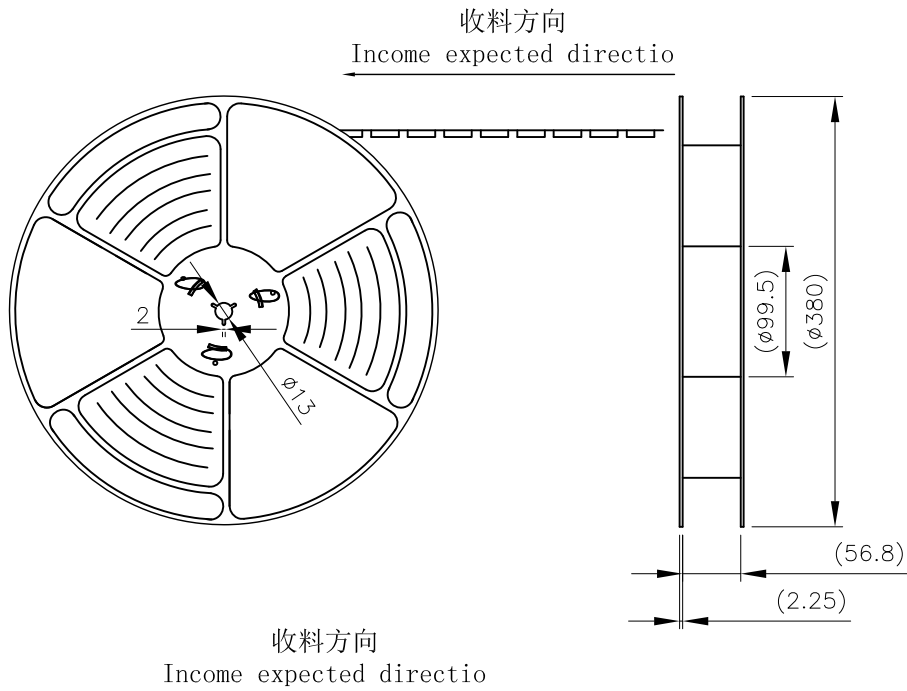
ORIGINAL DRAWN:  
Xu peiguang  
CHECK:  
Xie yong  
APPROVE:  
Ady zhou

DATE  
2018.08.02  
DATE  
2018.08.02  
DATE  
2018.08.02

DWG NO.  
600-0000-0202  
PARTS NO. (INTENDED USE)  
APC5-08XK-X-XXX

TITLE  
PH2. 2-8PIN R/A CONNECTOR  
CUSTOMER DRAWING

REV.  
4  
SHEET  
3/5

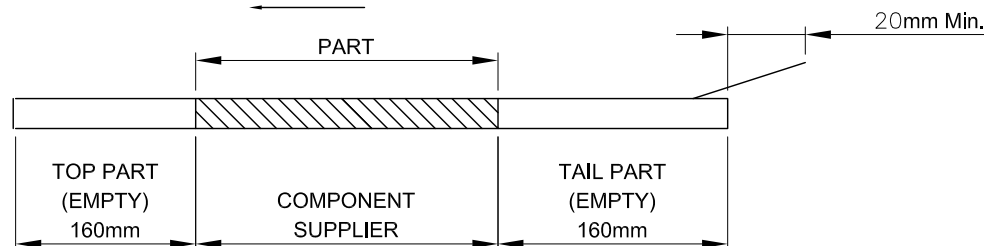


NOTES

1. 每卷包装数量及每箱装箱数量如下表格。  
Packing q'ty of each reel & carton as below table shown.

2. 带子引导长度。  
Lead tape length.

收料方向  
Income expected direction



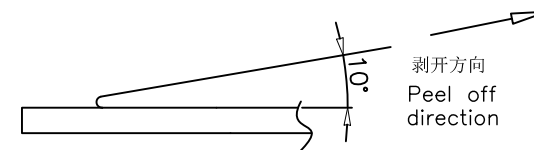
3. 上带剥拉力为: 0.1~1.3N(10.2gf~130gf)  
Peeling off force of top tape: 0.1~1.3N(10.2gf~130gf)

出货运输过程中一定注意:

This requirement should be applied at shipment:

卷带在运输过程中不能散开

Peeling off should not be allowed during transportation.



ShenZhen ShenTai weixiang Electronics Co., Ltd.

TOLERANCE UNLESS OTHERWISE SPECIFIED

X.X	±0.30	X.°	±3°
X.XX	±0.20	X.X°	±2°
X.XXX		X.XX°	±1°

SCALE	1:1
UNIT	mm
SIZE	A4

ORIGINAL DRAWN:  
Xu peiguang  
CHECK:  
Xie yong  
APPROVE:  
Ady zhou

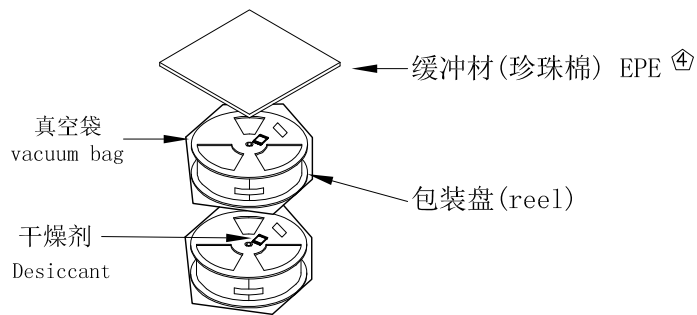
DATE 2018.08.02  
DATE 2018.08.02  
DATE 2018.08.02

DWG NO. 600-0000-0202  
PARTS NO. (INTENDED USE) APC5-08XK-X-XXX

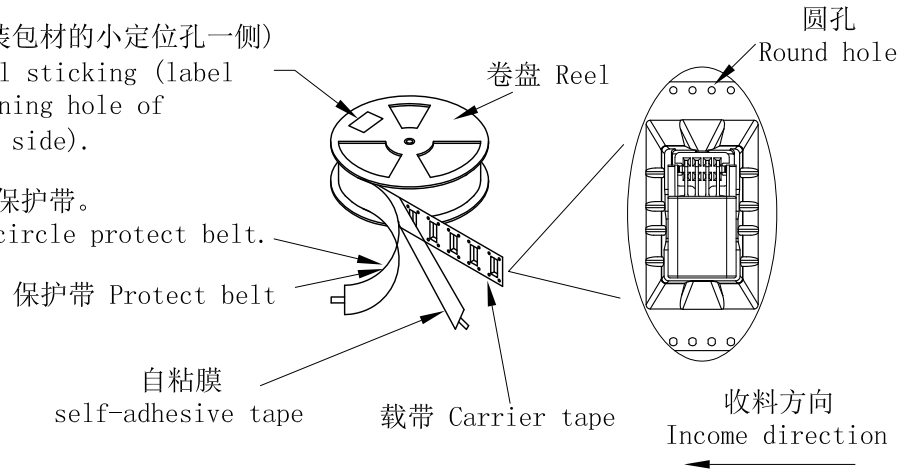
TITLE  
PH2. 2-8PIN R/A CONNECTOR  
CUSTOMER DRAWING

REV. 4  
SHEET 4/5

标签黏贴处(朝卷装包材的小定位孔一侧)  
Location of label sticking (label at small positioning hole of the carrier tape side).

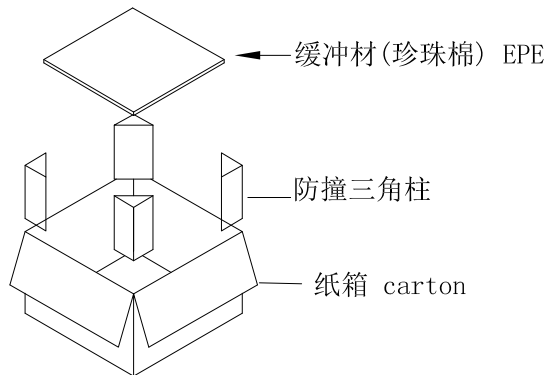


每卷包装盘缠一圈保护带。  
Each reel use 1 circle protect belt.



NOTE:

- 每卷包装数量及每箱装箱数量如下表格。  
Packing q'ty of each reel & carton as below table shown.
- 把1个卷盘和1个干燥剂装入真空袋抽真空包装。  
put 1pc reel and 1pc Desiccant into vacuum bag, and then vacuum packing.
- 以上胶带覆盖下包装带经包装机包装。  
Use cover tape to cover and seal up.
- 每个纸箱放2个珍珠棉。  
Every carton use 2pcs EPE.
- 将装满产品的卷盘放入纸箱并以胶带封口。  
Put reels in the carton and use adhesive tape to seal up.
- 产品拆封后请在168小时内使用完，否则会有过炉起泡风险。  
Please use the product in 168h after the product is opened, otherwise, there will be a risk of bubbling.
- 若无法在168小时内使用完的产品，需抽真空包装。  
If you can't use the product in 168h, need to be vacuum packing.



产品料号 (PRODUCT No.)	包装数量 (PACKING CAPACITY)		
	PCS/REEL	REELS/CARTON	PCS/CARTON
APC5-08XK-X-XXX	150	3	450



ShenZhen ShenTai weixiang Electronics Co., Ltd.

TOLERANCE UNLESS OTHERWISE SPECIFIED			
X.X	±0.30	X.°	±3°
X.XX	±0.20	X.X°	±2°
X.XXX		X.XX°	±1°

SCALE	1:1
UNIT	mm
SIZE	A4

ORIGINAL DRAWN:	Xu peiguang
CHECK:	Xie yong
APPROVE:	Ady zhou

DATE	2018.08.02
DATE	2018.08.02
DATE	2018.08.02

DWG NO.	600-0000-0202
PARTS NO. (INTENDED USE)	APC5-08XK-X-XXX

TITLE	PH2. 2-8PIN R/A CONNECTOR CUSTOMER DRAWING
-------	---

REV.	4
SHEET	5/5