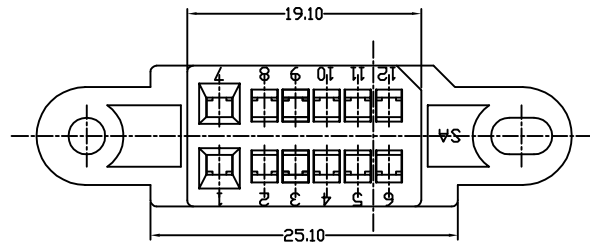


对外发行

REV.	ECN NO.	DESCRIPTION	DATE	DESIGN
A				



Notes:

Voltage rating:250/600V AC/DC

Current rating:5A AC/DC

Withstanding Voltage:1000V/2000V AC/minute

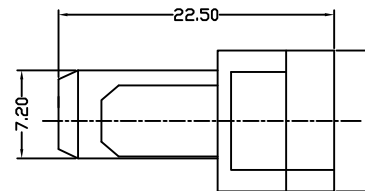
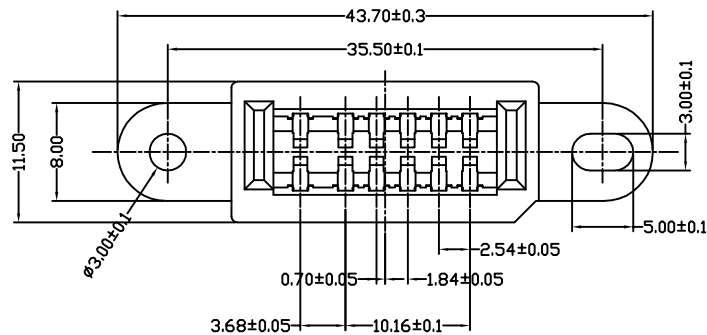
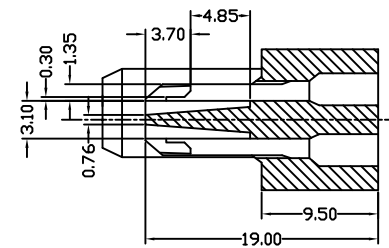
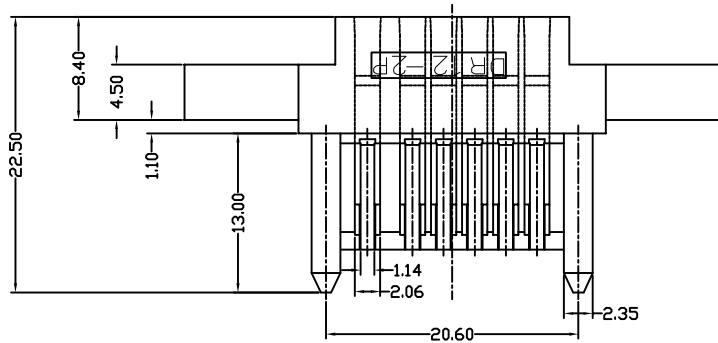
Insulation resistance:5000M Ω Min

Temperature range:-55°C~+105°C

Contact resistance:10m Ω Max

Material: PBT+GF UL94V0 black

Q' ty:500Pcs/Bag



JMP Joint More Precision electronics Co.,Ltd.

DIM	TOL	DIM	TOL
X.	/	X*	/
X.X	0.25	X.X*	
X.XX	0.15	X.XX*	
X.XXX	0.10	X.XXX*	/

DRAW NO.	DATE	P/N NO:	DRAW NAME:
DESIGN: 王赴春	2013.02.20	DR-12-2PC-FD	
CHECK: 杨 焯		REV. A	SCALE:1:1
REVIEW:		UNIT: mm	SHEET: 1 OF 1