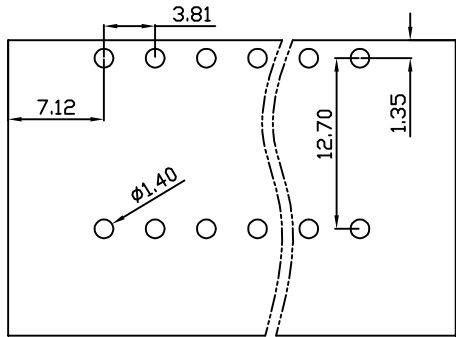
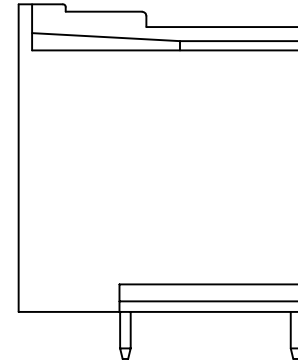
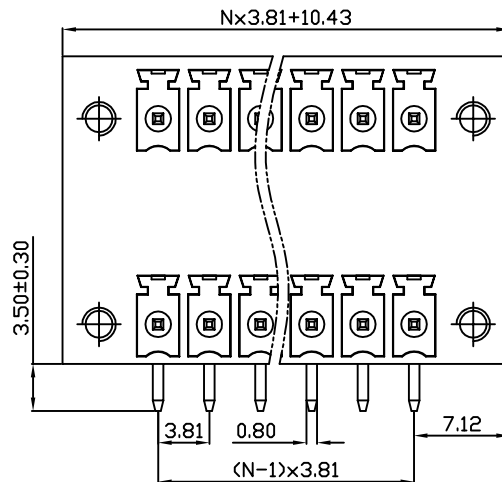
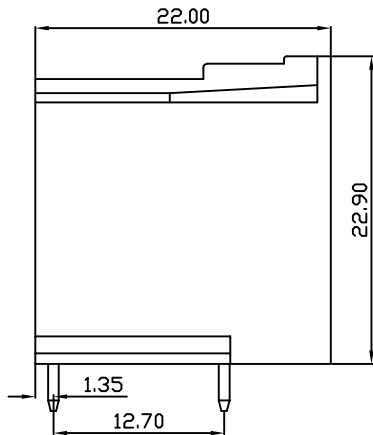
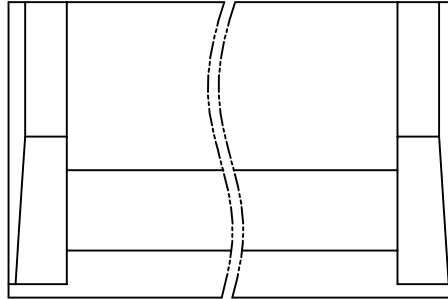


linear dimension(Tolerances Standard GB/T 14486-2008)								—	$\nabla$	$\perp$
variable range	to	over	over	over	over	over	over	to	to	to
	6	6 to 10	10 to 30	30 to 60	60 to 100	100 to 160	160 to			
tolerance	±0.20	±0.30	±0.50	±0.70	±1.00	±1.30	±1.60	0.10	0.30	0.60



PCB Layout



UL/CUL 技术参数		UL/CUL Technical Data		
等级	Use Group	B	C	D
额定电压	Rated Voltage [V]	300	-	300
额定电流	Rated Current [A]	8	-	8
接线范围	Wire Range	-		
单/多芯线	Solid/Stranded [AWG]	-		
耐电压	Withstanding Voltage	1600V/1Min		
IEC 技术参数		IEC Technical Data		
过电压类别	Overvoltage Category	III	III	II
污染等级	Contamination Class	3	2	2
额定电压	Rated Voltage [V]	160	160	320
额定电流	Rated Current [A]	7	7	7
额定冲击电压	Impulse withstand voltagea [KV]	2.5	2.5	2.5
导线截面积	Conductor cross section	-		
硬质/柔性导线	Solid/flexible [mm²]	-		
材料		Material		
绝缘材料	Insulation Material	PA66		
阻燃等级	Imflamability	UL94V-0		
导体材料	Contact Material	铜合金 Copper alloy		
导体表面镀层	Contactive Coating	镀锡 Sn Plated		
一般参数		Other Data		
间距	Pitch [mm]	3.81		
极数	Poles [P]	02-24		
剥线长度	Stripping Length [mm]	-		
螺丝	Screw/扭矩 Torque(Max) [N.m]	-		
工作温度	Operating temperatur [°C]	-40~+105		
引针尺寸	Pin Dimensions [mm]	0.80x0.80		
PCB板孔径	PCB Hole Diameter [mm]	1.40		

DB2ERHM — 3.81 — XXP — C

(Series No.) (Pitch) (Poles)

(Color) : 1.(Green) 2.(Black) 3.(Blue) 4.(Clear) 5.(Gray)  
6.(Orange) 7.(Red) 8.(White) 9.(Yellow)

APPD: JTING Chen 2022.4.23

CHKD: Duck Mao 2022.4.23

DRFT: Steven Lu 2022.4.23

**DORABO**

宁波地博电气有限公司  
Ningbo Dorabo Electric CO., Ltd

NAME:

DB2ERHM-3.81-XXP-C



SIZE: A4

mm  
(inch)

REV T0-1

TYPE: CUSTOMER\_DRAWING

SCALE: 1:1

SHEET 1/1