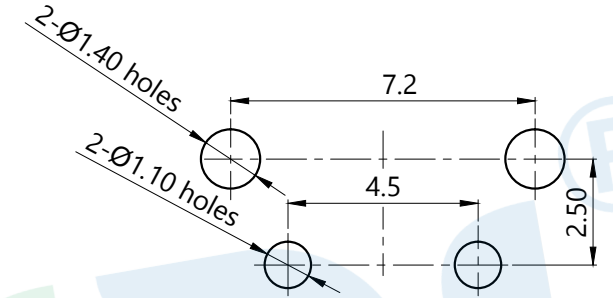
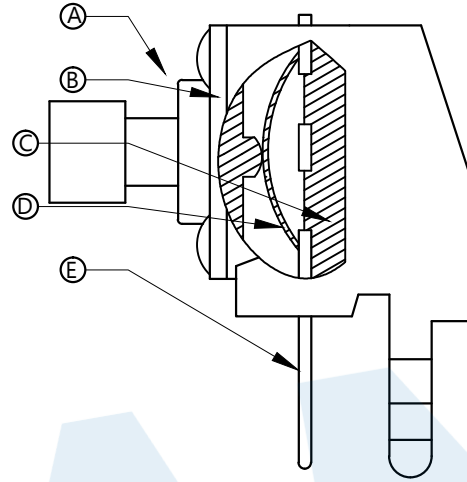
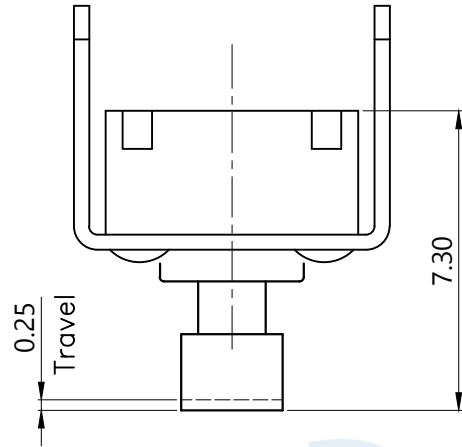
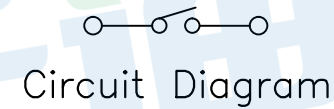
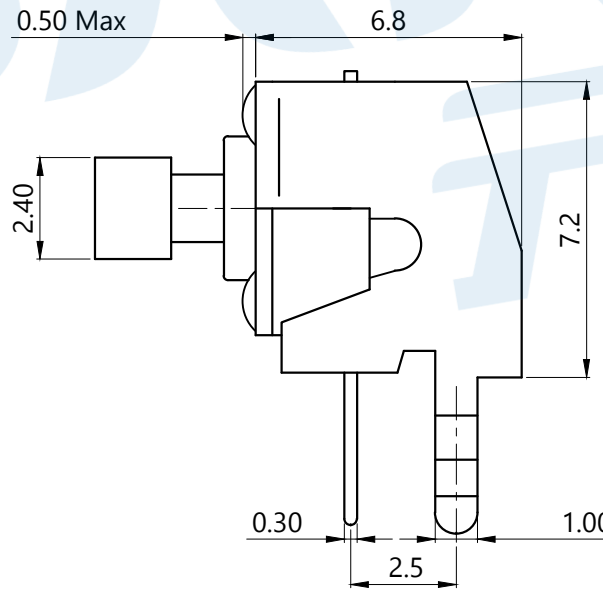
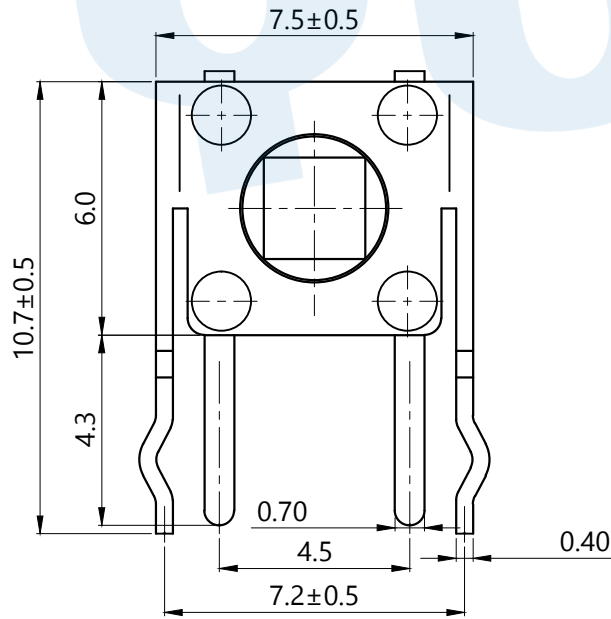


RoHS



PCB Layout(Pattern side)



SHRAPNEL	
CODE	MATERIAL/QTY
D1	C5210/1PCS
D2	SUS/1PCS

OPERATING FORCE	
CODE	VIGOR
B1	120±30gf
B2	180±30gf
B3	250±30gf

NO.	Name	Number	Qty	Materil	Remarks
(E)	Terminal		2	Brass	Silvering
(D)	Contact		1	Phosphorus copper	Silver covered
(C)	Base		1	PPA	Black
(B)	Cover		1	SPCC	Nickel Plating
(A)	Knob		1	PPA	Black

**YUANDI®** Yuandi Electronics Co, Ltd

design	date	name	TACT SWITCHS
Review	date		
Approved	date	name	TS-1093D-B□D□

Drawing number:	Proportion	1:1	unit	mm	gape number	A4
-----------------	------------	-----	------	----	-------------	----

modify Review Approved Tolerance not specified

angle	±2'
10~30	±0.30
5~10	±0.20
~ 5	±0.10