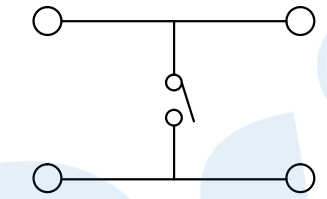
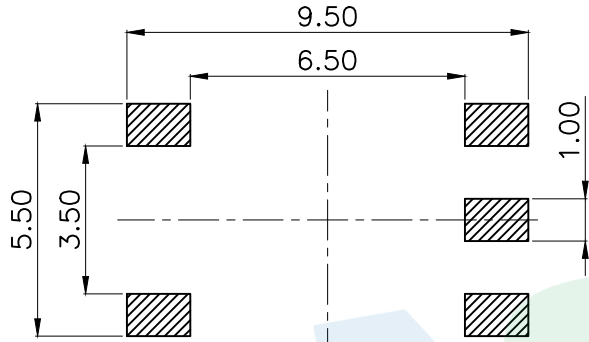
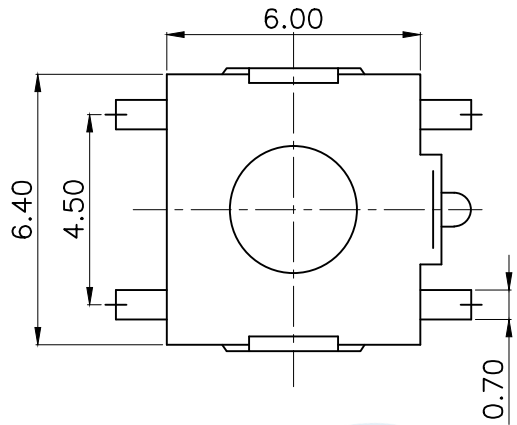
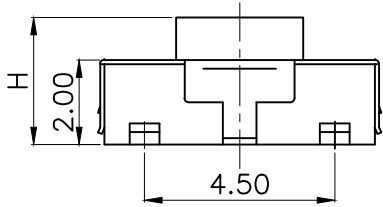
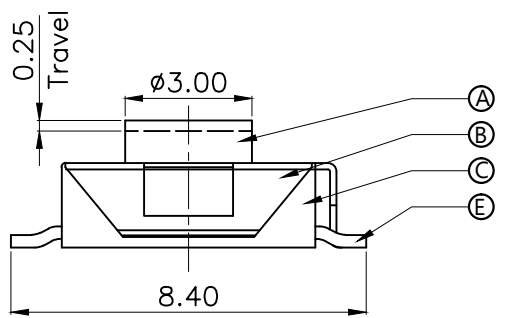


RoHS



Circuit Diagram

PCB Layout(Pattern side)



SHRAPNEL	
CODE	MATERIAL/QTY
D1	C5210/1PCS
D2	SUS/1PCS

TOTAL HEIGHT	
CODE	H
A1	2.5
A2	2.7
A3	3.1
A4	3.4
A5	3.7
A6	4.3
A7	5.0
A8	5.5

OPERATING FORCE	
CODE	VIGOR
B1	120±30gf
B2	180±30gf
B3	250±30gf
B4	350±30gf

NO.	Name	Number	Qty	Materil	Remarks
⑤	Terminal	4		Brass	Silvering
④	Contact	1		Phosphorus copper	Silver covered
③	Base	1		PPA	Black
②	Cover	1		Brass	Copper tin
①	Knob	1		PPA	

YUANDI® Yuandi Electronics Co, Ltd

design	date	name	TACT SWITCHS
Review	date	name	TS-1080W-A□B□-D□
Approved	date	name	

angle	±2'	Drawing number:							
10~30	±0.30								
5~10	±0.20								
~ 5	±0.10								
modify	Review	Approved	Tolerance not specified	Proportion	1:1	unit	mm	gape number	A4