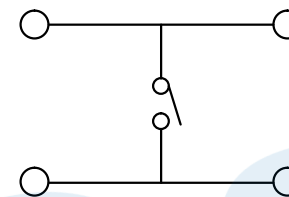
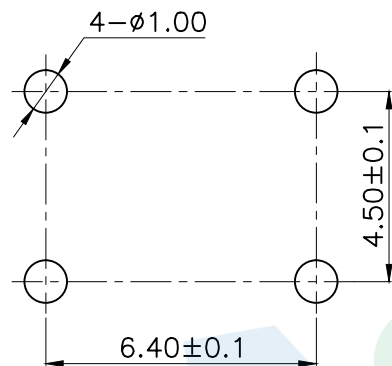
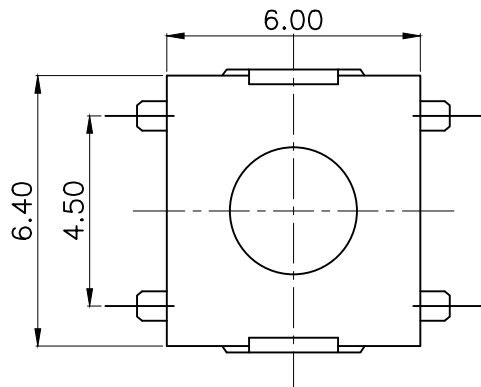


RoHS



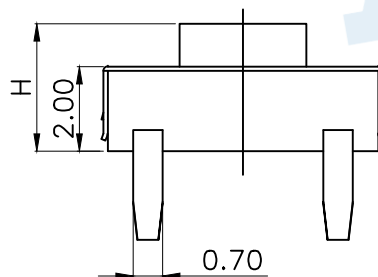
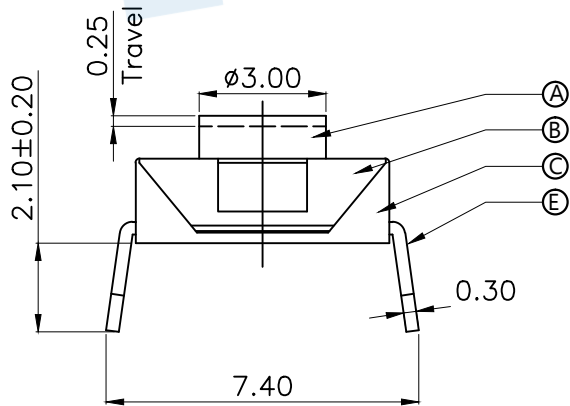
Circuit Diagram

PCB Layout(Pattern side)

SHRAPNEL	
CODE	MATERIAL/QTY
D1	C5210/1PCS
D2	SUS/1PCS

TOTAL HEIGHT	
CODE	H
A1	2.5
A2	2.7
A3	3.1
A4	3.4
A5	3.7
A6	4.3
A7	5.0
A8	5.5

OPERATING FORCE	
CODE	VIGOR
B1	120±30gf
B2	180±30gf
B3	250±30gf
B4	350±30gf



⑤	Terminal	4	Brass	Silvering	
④	Contact	1	Phosphorus copper	Silver covered	
③	Base	1	PPA	Black	
②	Cover	1	Brass	Copper tin	
①	Knob	1	PPA		
NO.	Name	Number	Qty	Materil	Remarks

YUANDI® Yuandi Electronics Co, Ltd

design	date	name	TACT SWITCHS
Review	date		
Approved	date	name	TS-1080D-A□B□-D□

Drawing number: Proportion 1:1 unit mm gage number A4

modify Review Approved Tolerance not specified

angle	±2'
10~30	±0.30
5~10	±0.20
~ 5	±0.10