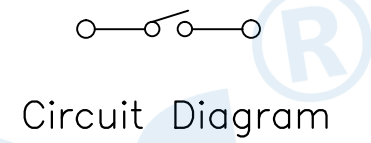
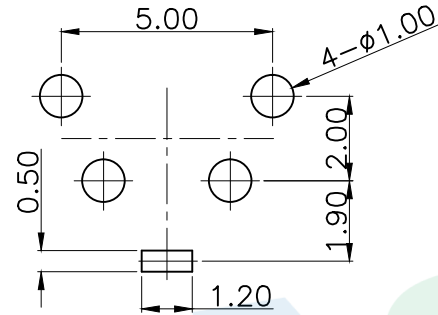
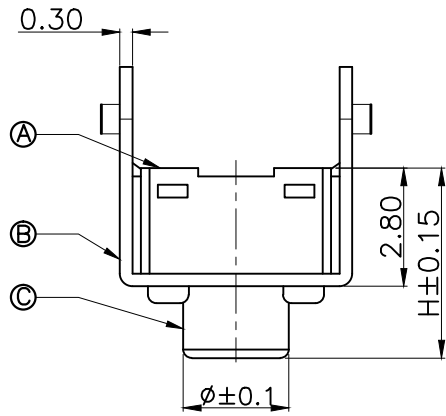
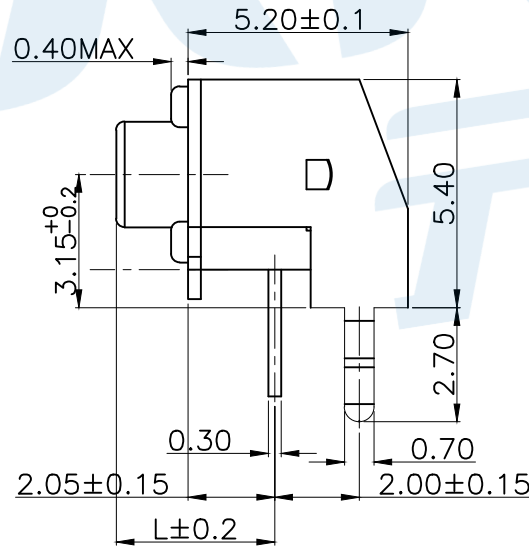
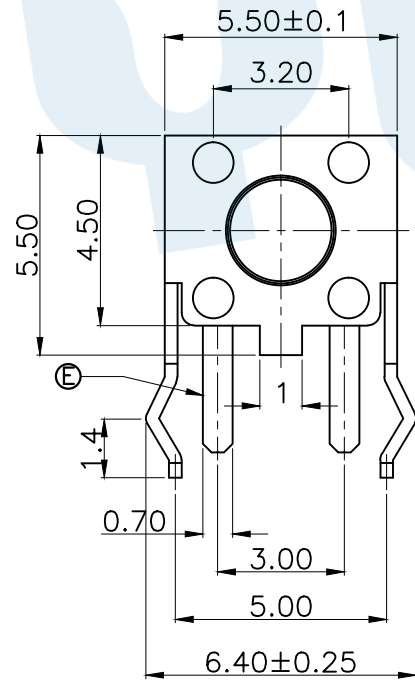


RoHS



PCB Layout(Pattern side)



OPERATING FORCE	
CODE	VIGOR
B1	120±30gf
B2	180±30gf
B3	250±30gf

SHRAPNEL	
CODE	MATERIAL/QTY
D2	SUS/1PCS

TOTAL HEIGHT							
CODE	H	Ø	L	CODE	H	Ø	L
A1	3.8	2.4	3.05	A8	7.0	2.2	6.25
A2	4.3	2.4	3.55	A9	7.5	2.2	6.75
A3	4.5	2.4	3.75	A10	8.0	2.2	7.25
A4	5.0	2.35	4.25	A11	8.5	2.2	7.75
A5	5.5	2.35	4.75	A12	9.0	2.15	8.25
A6	6.0	2.25	5.25	A13	9.5	2.15	8.75
A7	6.5	2.25	5.75	A14	10	2.15	9.25

NO.	Name	Number	Qty	Materil	Remarks
Ⓔ	Terminal		2	Brass	Silvering
Ⓓ	Reed		1	SUS	Silver covered
Ⓒ	Button		1	PPA	Black
Ⓑ	Cover		1	Brass	Copper tin
Ⓐ	Base		1	PPA	Black

YUANDI® Yuandi Electronics Co, Ltd

design	date	name	TACT SWITCHS
Review	date	model	TS-1043A-A□B□-D□-T2
Approved	date		

Drawing number: Proportion 1:1 unit mm gage number A4

modify Review Approved Tolerance not specified

angle	±2'
10~30	±0.30
5~10	±0.20
~ 5	±0.10