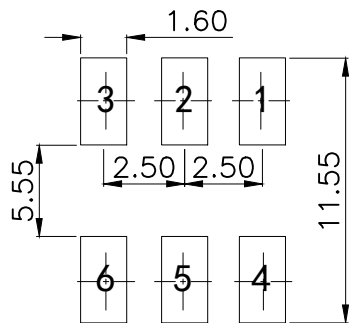
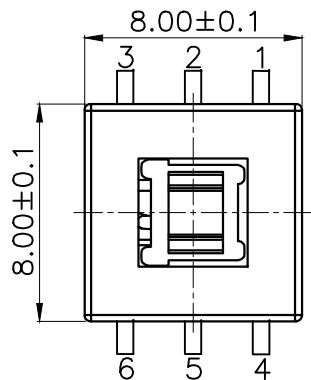
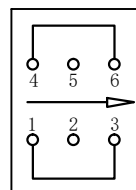


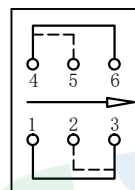
RoHS



PCB Layout(Pattern Side)

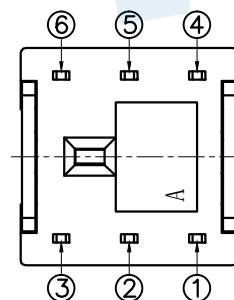
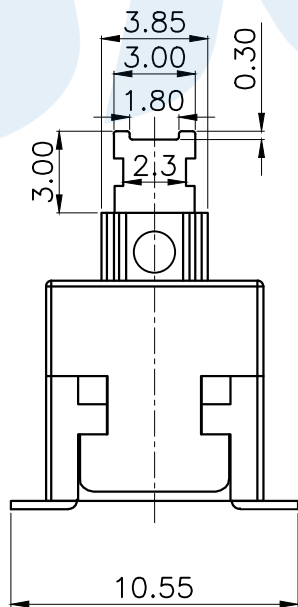
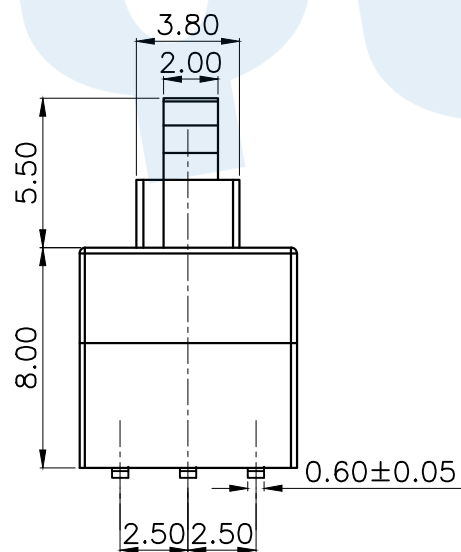
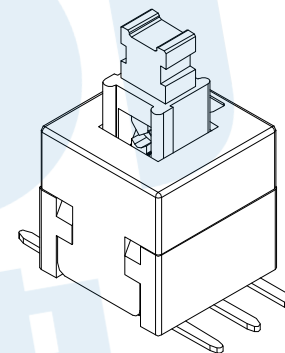
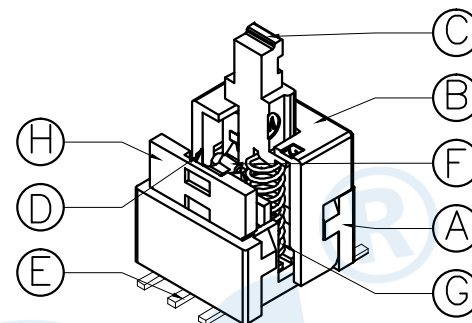


Free



Push

Circuit Diagram



NO.	Operating Type	Part No.	Operating force	Travel
1	Push To Lock	TK-6800-1	320±50gf	2.4±0.3
2	Push No Sound No Lock	TK-6800-2	320±50gf	2.4±0.3
3	Push No Lock	TK-6800-3	320±50gf	2.4±0.3

NO.	Name	Number	Qty	Materil	Remarks
H	Injection Terminal	2		PA9T	Black
C	Spring	1		SUS	Natural
F	Crochet Needle	1		SUS	Natural
E	Terminal	6		Brass	Silvering
D	Reed	2		Phosphorus Copper	Silvering
C	Button	1		PA9T	Gray
B	Cover	1		PA9T	Gray
A	Base	1		PA9T	Black

YUANDI® Yuandi Electronics Co, Ltd

design	date	name	BUTTON SWITCH
Review	date	name	
Approved	date	name	

Drawing number: TK-6800S-□