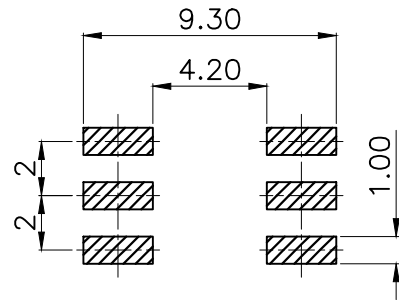
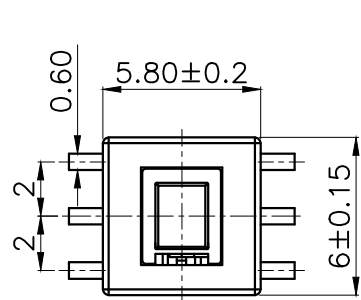
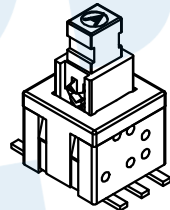
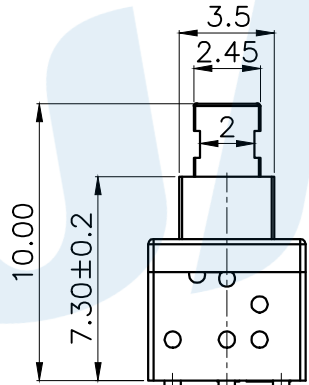
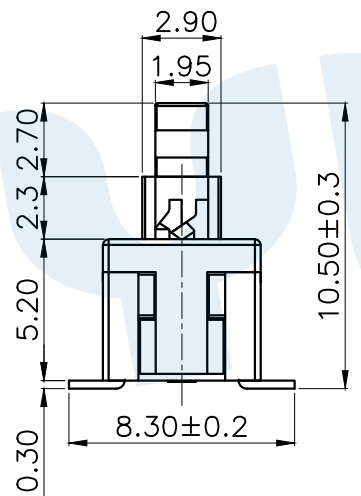
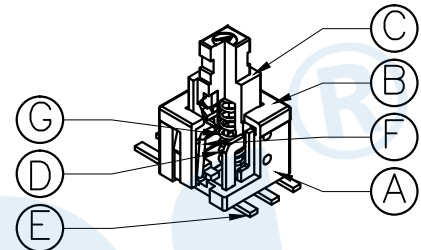


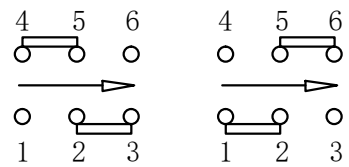
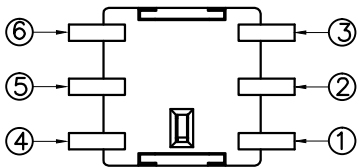
RoHS



PCB Layout(Pattern Side)



NO.	Operating Type	Part No.	Operating force	Travel
1	Push To Lock	TK-6580S-1	250±50gf	2.0±0.2
2	Push No Sound No Lock	TK-6580S-2	250±50gf	2.0±0.2



Free Push
Circuit Diagram

Ⓒ	Spring		1	SUS	Natural
Ⓕ	Crochet Needle		1	SUS	Natural
Ⓔ	Terminal		6	Brass	Silvering
Ⓓ	Reed		2	Phosphorus Copper	Silvering
Ⓒ	Button		1	PPA	Black
Ⓑ	Cover		1	PPA	Black
Ⓐ	Base		1	PPA	Black
NO.	Name	Number	Qty	Materil	Remarks

YUANDI® Yuandi Electronics Co, Ltd

design	date	name	BUTTON SWITCH
Review	date		
Approved	date	name	
Drawing number:			TK-6580S-□