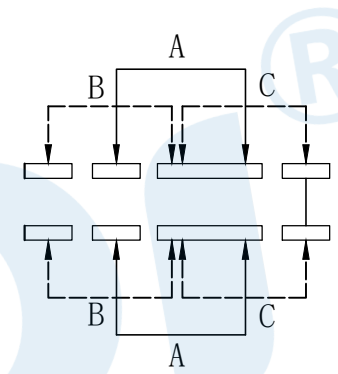
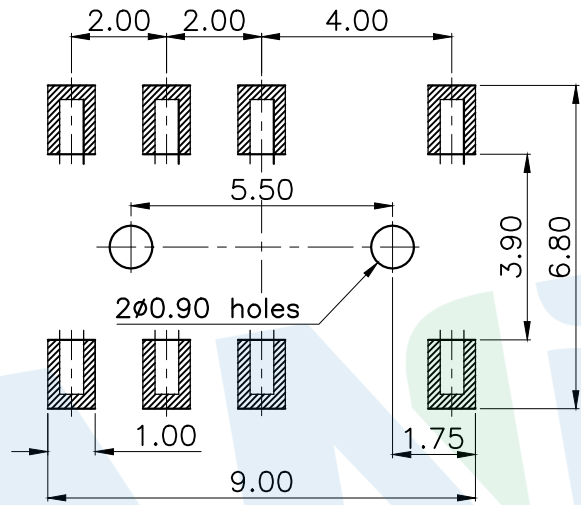
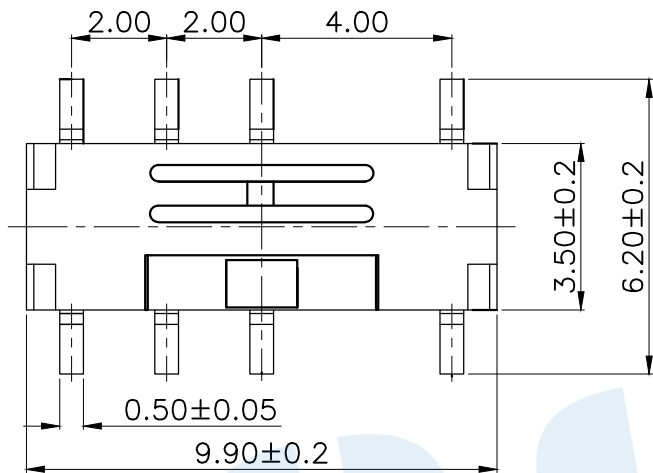
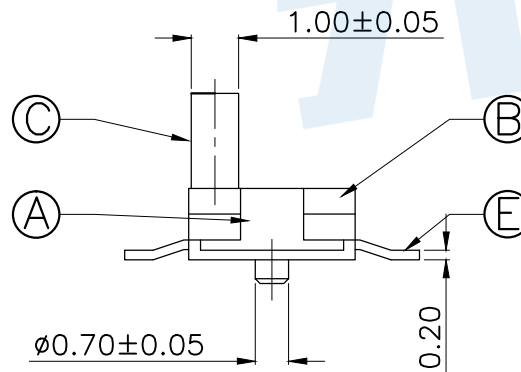
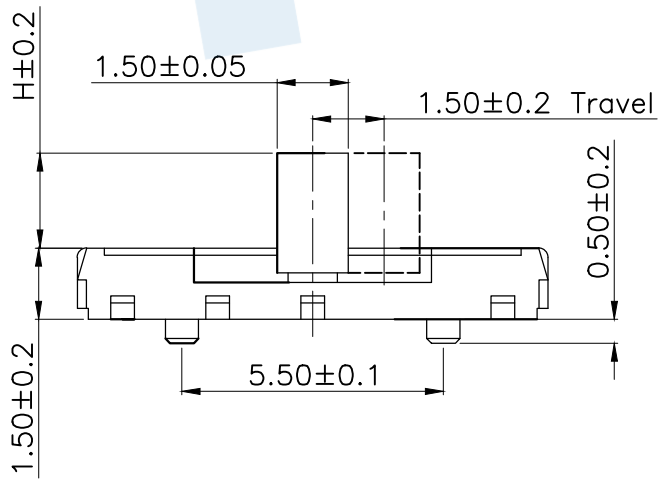


RoHS



PCB Layout(Pattern side)

Circuit Diagram



Code	H	Operating force
A1	1.0	200±50gf
A2	1.5	
A3	2.0	

NO.	Name	Number	Qty	Materil	Remarks
⑤	Terminal		8	Brass	Silver
④	Contact reed		2	Beryllium copper	Silver covered
③	Handle		1	Nylon	Black
②	Cover		1	SUS	Silver
①	Base		1	LCP	Black

YUANDI® Yuandi Electronics Co, Ltd

design	date	name	TOGGLE SWITCH
Review	date	name	
Approved	date	name	
Drawing number:			TA-3537S-A□