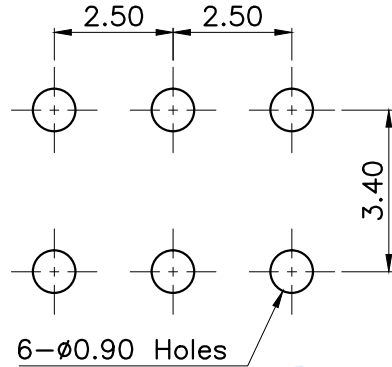
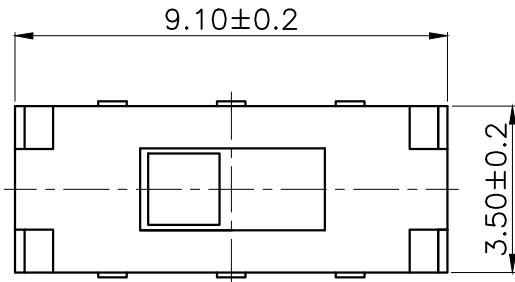
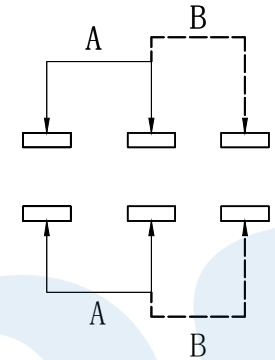


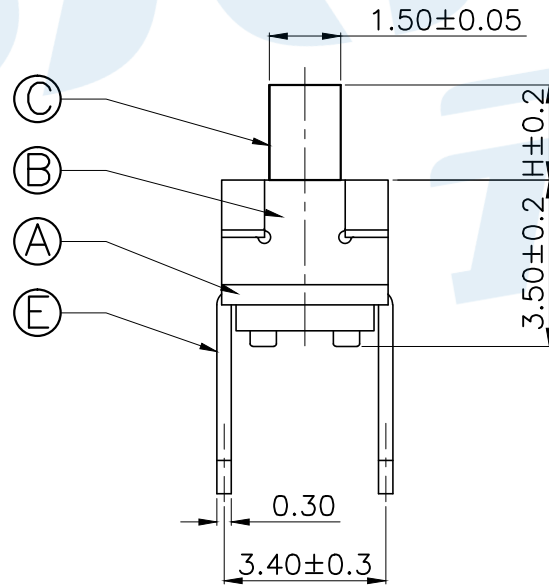
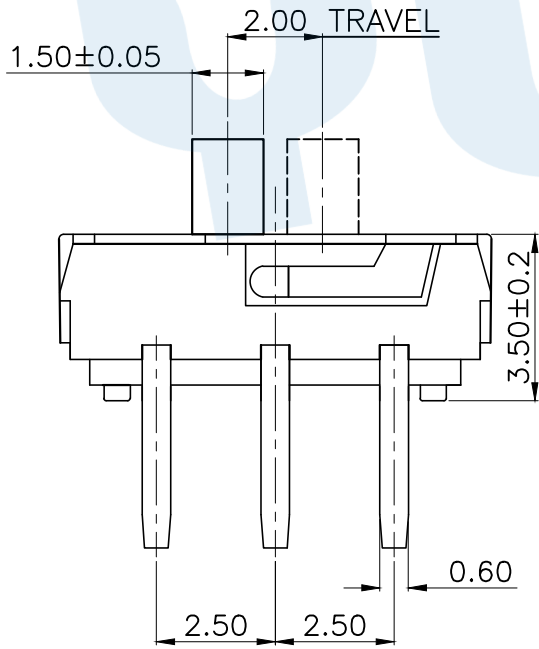
RoHS



PCB Layout(Pattern side)



Circuit Diagram



| Code | H   | Operating force |
|------|-----|-----------------|
| A1   | 2.0 | 200±80gf        |
| A2   | 3.0 |                 |
| A3   | 4.0 |                 |

| NO. | Name         | Number | Qty | Materil          | Remarks        |
|-----|--------------|--------|-----|------------------|----------------|
| ⑤   | Terminal     |        | 6   | Brass            | Silver         |
| ④   | Contact reed |        | 2   | Beryllium copper | Silver covered |
| ③   | Handle       |        | 1   | PA46             | Black          |
| ②   | Cover        |        | 1   | SUS              | Natural        |
| ①   | Base         |        | 1   | PA46             | Black          |

**YUANDI®** Yuandi Electronics Co, Ltd

|                 |      |      |               |
|-----------------|------|------|---------------|
| design          | date | name | TOGGLE SWITCH |
| Review          | date | name |               |
| Approved        | date | name |               |
| Drawing number: |      |      | TA-3530-A□    |

|        |        |          |                         |            |     |      |    |             |    |
|--------|--------|----------|-------------------------|------------|-----|------|----|-------------|----|
| angle  | ±2'    |          |                         |            |     |      |    |             |    |
| 10~30  | ±0.30  |          |                         |            |     |      |    |             |    |
| 5~10   | ±0.20  |          |                         |            |     |      |    |             |    |
| ~ 5    | ±0.10  |          |                         |            |     |      |    |             |    |
| modify | Review | Approved | Tolerance not specified | Proportion | 1:1 | unit | mm | gape number | A4 |