

YT-38M



Features



- External dimensions: 3.0 x 8.0 mm.
- Frequency range: 6 ~ 27 MHz
- Frequency tolerance(standard): ± 20 ppm.
- Excellent Reliability Performance.
- Applications: clock and Microcomputer.

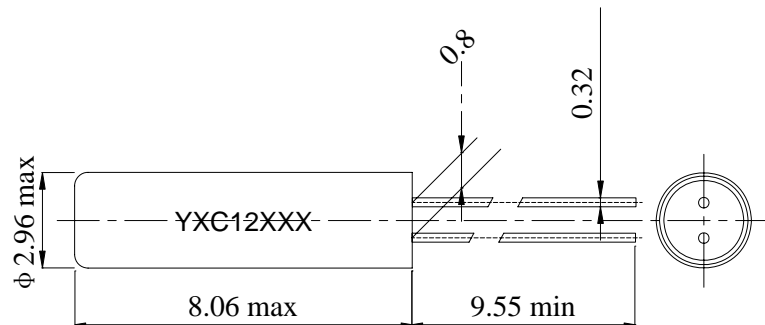
Electrical Specifications

Item / Type	YT-38M
Nominal Frequency Range	6 ~ 27 MHz
Vibration Mode	AT Fundamental
Load Capacitance	20pF , or specify
Frequency Tolerance (at 25 °C)	± 10 ppm, ± 20 ppm, or specify
Frequency Versus Temperature Characteristics	± 20 ppm, or specify
Operating Temperature	- 20 ~ + 70 °C , - 40 ~ + 85 °C , or specify
Storage Temperature	-40~+85 °C , or specify
Shunt Capacitance	7 pF Max.
Level Of Drive	1 ~ 100 μ W (1.0 μ W Tvp)
Insulation Resistance	More Than 500M Ω at DC 100V
Frequency Aging (at 25 °C)	± 3 ppm / year Max.

Equivalent Series Resistance(ESR)

Fundamental	
6. 000-9. 999MHz	120 Ω Max.
10. 000-19. 999MHz	100 Ω Max.
20. 000MHz-27. 000MHz	80 Ω Max.

Dimensions



Units: mm(± 0.1 mm)

YT-38M



★ PART NUMBER GUIDE 部件号示例 *e.g. X308012MSD2SC*

YT-38M = 3.0x8.0 SMD SEAM TYPE

Quartz Crystal Resonator	Dimensions	Frequency (Hz)	Load Capacitance (Pf)	Frequency Stability Overall (ppm)	Pin	Material	Operating Temp. Range
X	3080	12M	S	D	2	S	C

Load Capacitance (Pf)	
S	20pF
G	12.5pF

Frequency tolerance	
B	±10PPM
D	±20PPM

Operating temperature	
C	-20~ +70°C
I	-40~ +85°C