

■ Features

- Molding Inductor.
- Low Profile,Low Temp.
- Large Current(Over 15A).
- Customize For Different Need.
- Operating temperature:-40°C ~ +125°C.

■ Applications

- General Electronic.
- Video Device,TV,TFT.
- Power Module for PC.
- NB/Lap Top Computer.
- Server,VGA Card/Module.

■ Product Identification

YSPIA □□□□□ - □□□ □
 (1) (2) (3) (4)

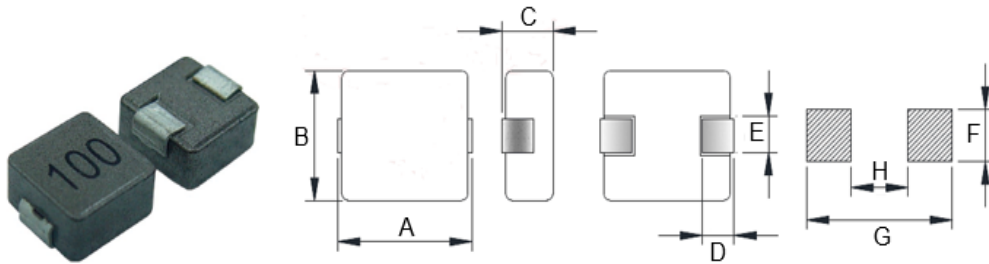
(1) : Type

(2) : Dimensions

(3) : Inductance value

(4) : Inductance Tolerance : N=±30%,M=±20% , K=±10%

■ Shapes and Dimensions (Unit: mm)



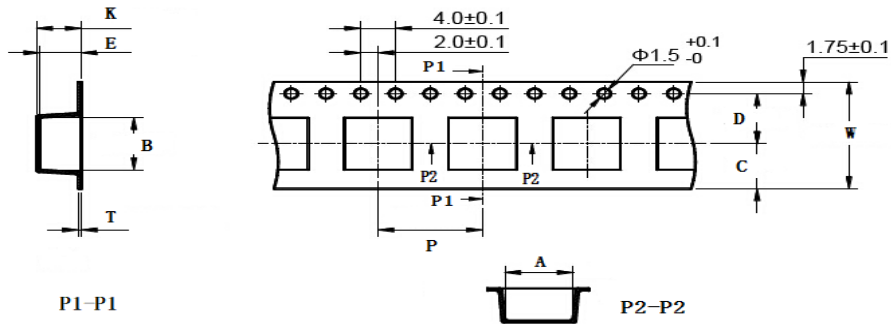
TYPE	A	B	C Max.	D	E	F Ref.	G Ref.	H Ref.
YSPIA0645	6.5±0.5	6.0±0.3	4.5	1.3±0.3	2.5±0.3	3.5	7.5	3.2

■ YSPIA0645 Series

Part Number	Inductance (uH) @100KHz	DC Resistance (mΩ)		Heat Rating Current (A)	Saturation Current (A)
		Typ.	Max.		
YSPIA0645-1R8□	1.8	13	18	7.0	12.0
YSPIA0645-2R2□	2.2	16	25	6.5	11.0
YSPIA0645-3R3□	3.3	22	30	6.0	9.0
YSPIA0645-4R7□	4.7	28	36	4.5	7.5
YSPIA0645-6R8□	6.8	35	47	4.0	6.8
YSPIA0645-8R2□	8.2	45	58	3.8	6.0
YSPIA0645-100□	10	68	80	3.2	5.5
YSPIA0645-220□	22	100	130	2.8	4.5
YSPIA0645-330□	33	158	204	2.5	4.0
YSPIA0645-470□	47	280	350	1.0	2.6

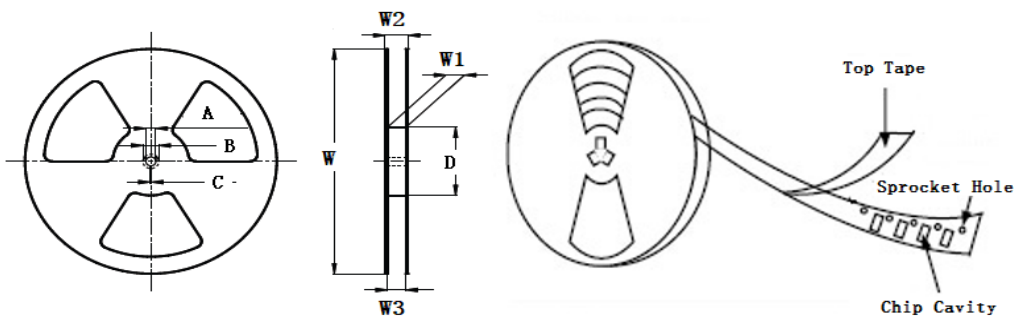
- ※ The saturation current value is the DC current value having inductance decrease down to 30%.(at 20°C)
- ※ The temperature rise current value is the DC current value having temperature increase up to 40°C. (at 20°C)
- ※ The rated current is the DC current value that satisfies both of current value saturation current value and temperature rise current value.

■ Taping Dimensions(Unit:mm)



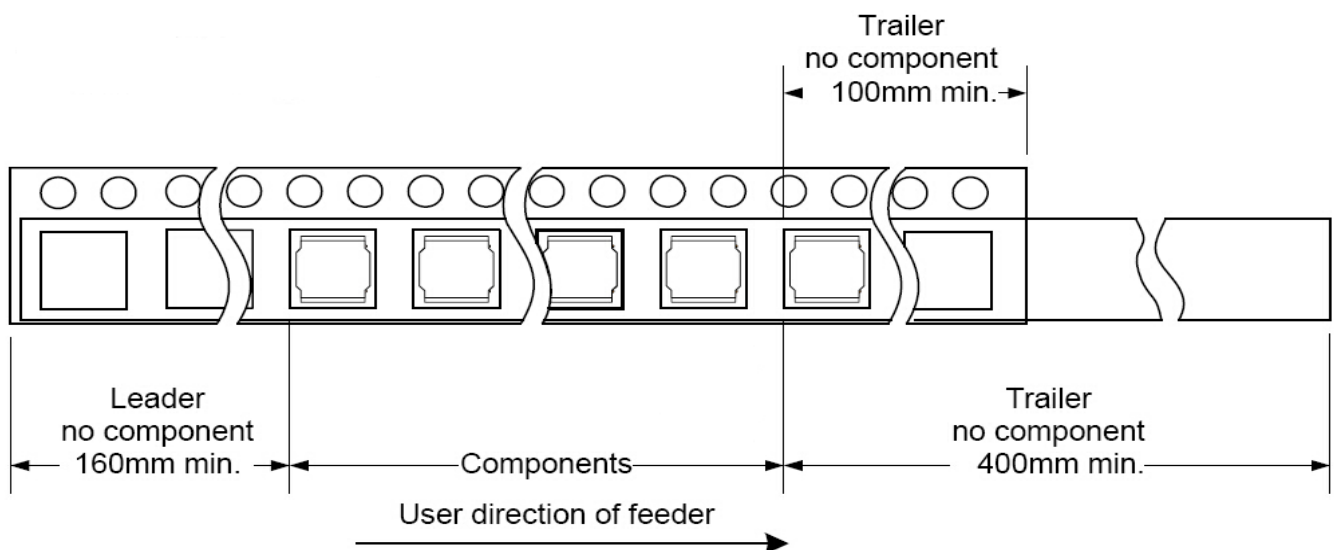
TYPE	W	A	B	C	D	E	P	K Ref	T	MPQ
YSPIA0645	16±0.3	6.3±0.1	6.7±0.1	6.75	7.5±0.1	5.5±0.1	12±0.1	4.7	0.35±0.05	1000

■ Reel Dimensions(Unit:mm)

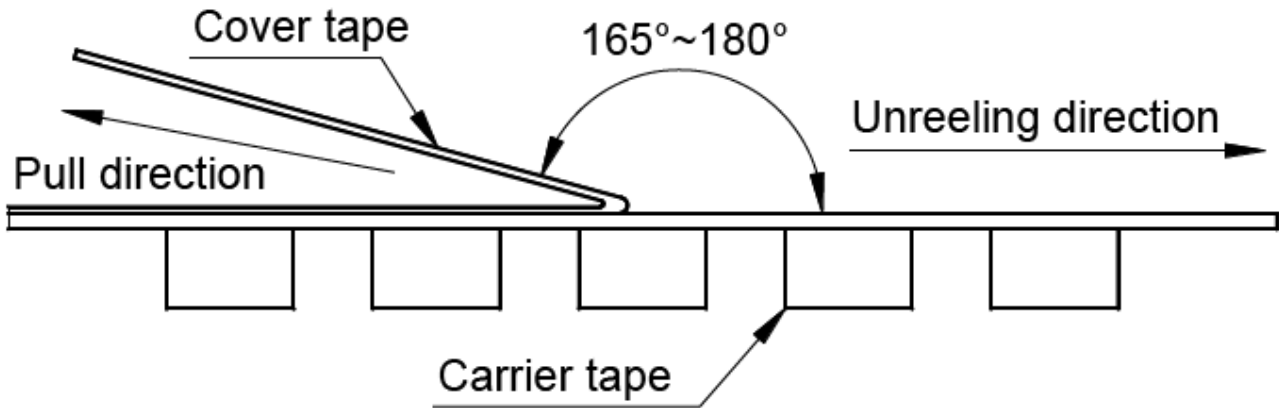


TYPE	W	W1	W2	W3	A	B	C	D
YSPIA0645	330±2.0	16.4±1.50	22.4MAX	15.9 Min	13.0±0.50	21.0±0.80	2.0±0.50	100 Min

■ Direction of rolling



■ Cover tape peel off condition



Cover tape peel force shall be 0.1N to 1.3N.

Reference peel speed 300±10mm/min.