

■ Features

- Molding Inductor.
- Low Profile,Low Temp.
- Large Current(Over 15A).
- Customize For Different Need.
- Operating temperature:-40℃ ~ +125℃.

■ Applications

- General Electronic.
- Video Device,TV,TFT.
- Power Module for PC.
- NB/Lap Top Computer.
- Server,VGA Card/Module.

■ Product Identification

$\frac{\text{YSPI}}{(1)}$ $\frac{\square\square\square\square}{(2)}$ - $\frac{\square\square\square}{(3)}$ $\frac{\square}{(4)}$

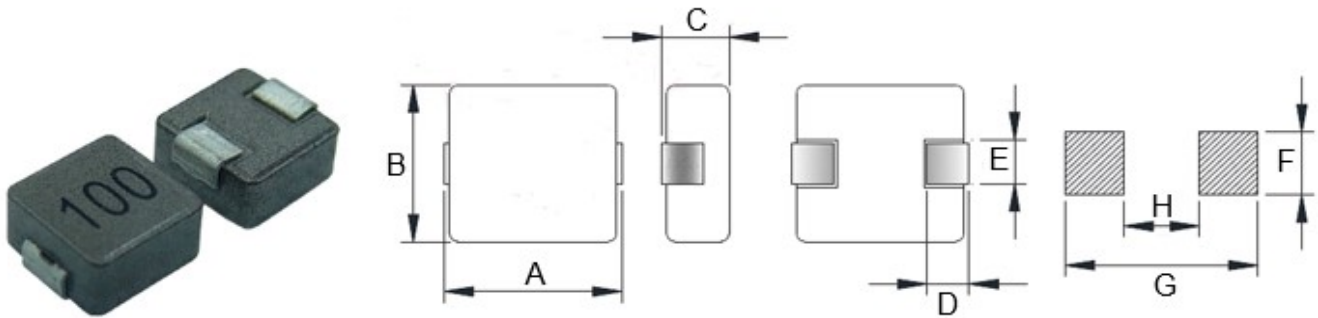
(1) : Type

(2) : Dimensions

(3) : Inductance value

(4) : Inductance Tolerance: N=±30%,M=±20%, K=±10%

Shapes and Dimensions (Unit: mm)



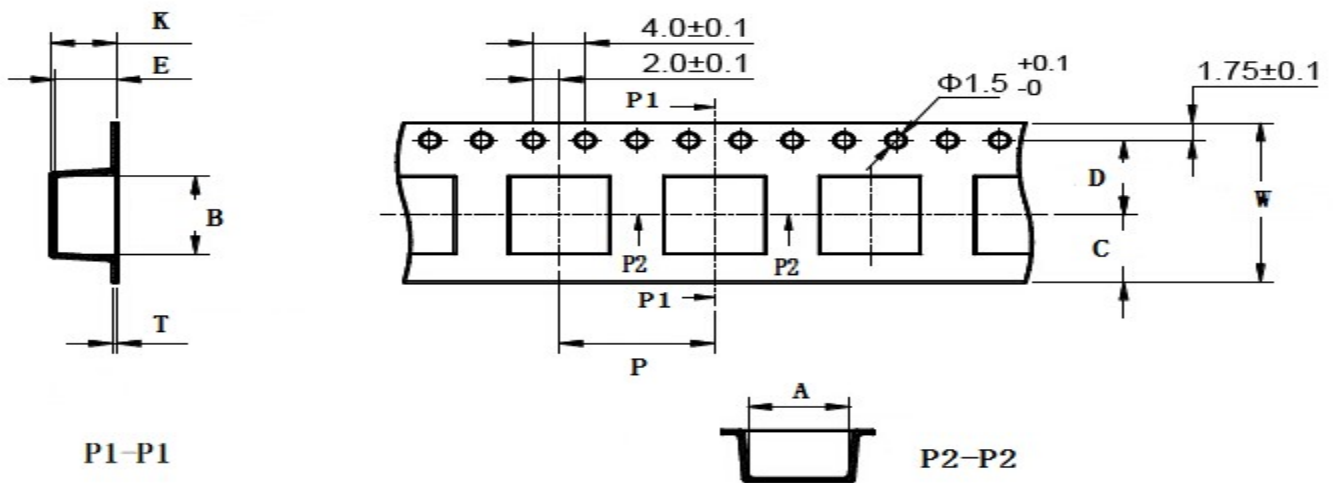
TYPE	A	B	C Max.	D	E Ref.	F Ref.	G Ref.	H Ref.
YSPI0530	5.4±0.5	5.2±0.5	3.0	1.0±0.3	2.0±0.5	2.5	7.0	3.0

YSPI0530 Series

Part Number	Inductance (uH) @100KHz	DC Resistance (mΩ)		Heat Rating Current (A)	Saturation Current (A)
		Typ.	Max.		
YSPI0530-R20□	0.20	3.0	3.9	13.0	14.5
YSPI0530-R33□	0.33	5.0	7.0	10.0	15.0
YSPI0530-R47□	0.47	8.0	14.0	10.0	14.0
YSPI0530-R68□	0.68	11.0	18.0	8.0	14.0
YSPI0530-1R0□	1.00	13.0	22.0	7.0	11.0
YSPI0530-1R2□	1.20	14.0	23.0	6.5	11.0
YSPI0530-1R5□	1.50	20.0	25.0	6.0	10.0
YSPI0530-2R2□	2.20	26.5	40.0	5.0	8.0
YSPI0530-3R3□	3.30	30.0	42.0	4.5	7.0
YSPI0530-4R7□	4.70	46.0	60.0	4.0	6.0
YSPI0530-5R6□	5.60	62.0	80.0	3.0	4.0
YSPI0530-6R8□	6.80	78.0	108	3.0	5.0
YSPI0530-100□	10.0	115	150	2.5	4.5
YSPI0530-150□	15.0	190	265	2.1	2.5
YSPI0530-220□	22.0	230	270	2.0	2.0

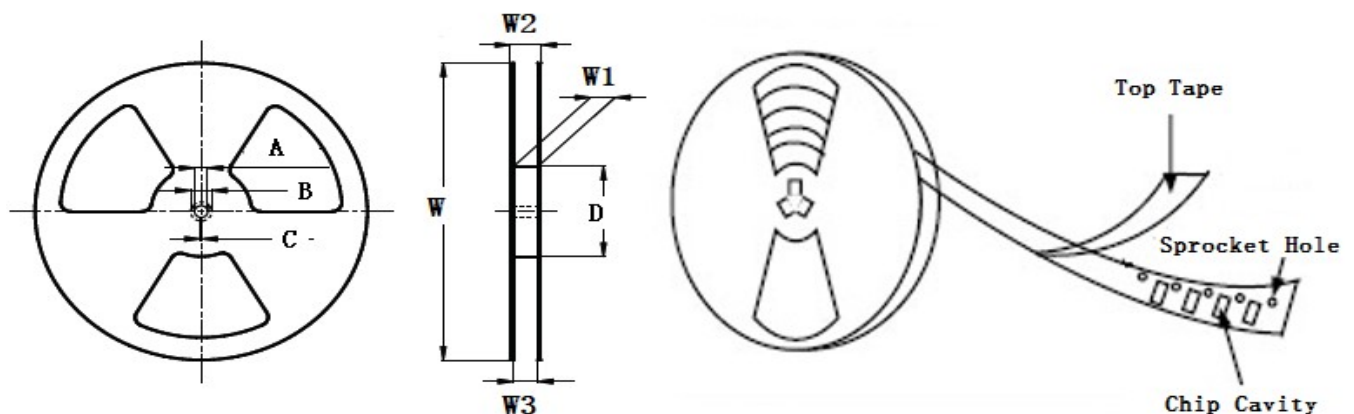
- ※ The saturation current value is the DC current value having inductance decrease down to 30%.(at 20°C)
- ※ The temperature rise current value is the DC current value having temperature increase up to 40°C. (at 20°C)
- ※ The rated current is the DC current value that satisfies both of current value saturation current value and temperature rise current value.

■ Taping Dimensions(Unit:mm)



TYPE	W	A	B	C	D	E	P	K Ref	T	MPQ
YSPI0530	12±0.3	5.1±0.1	5.30±0.1	4.75	5.5±0.1	3.4±0.1	8±0.1	3.2	0.35±0.05	2000

■ Reel Dimensions(Unit:mm)

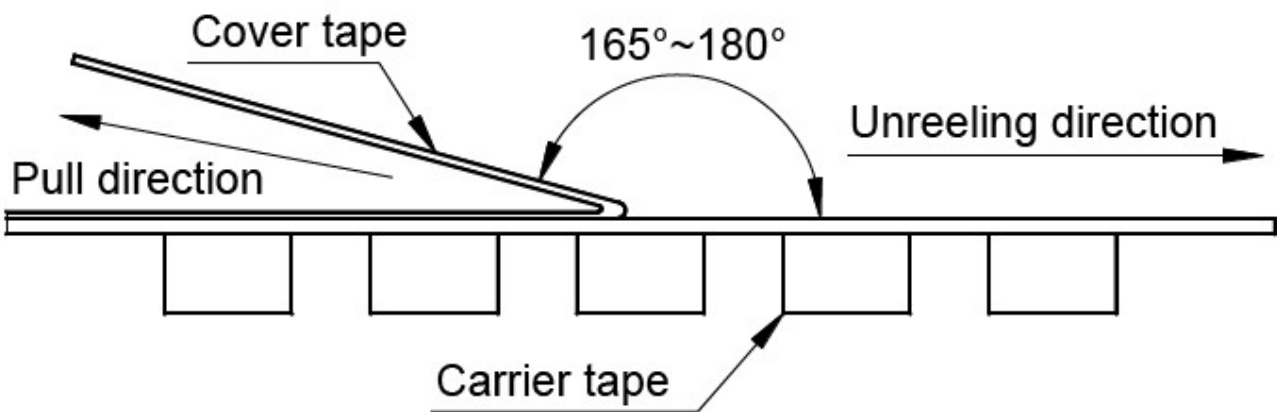


TYPE	W	W1	W2	W3	A	B	C	D
YSPI0530	330±2.0	12.4±2.00	18.4MAX	11.9 Min	13.0±0.50	21.0±0.80	2.0±0.50	100 Min

Direction of rolling



Cover tape peel off condition



Cover tape peel force shall be 0.1N to 1.3N.

Reference peel speed 300 ± 10 mm/min.