

■ Features

- Molding Inductor.
- Low Profile,Low Temp.
- Large Current(Over 15A).
- Customize For Different Need.
- Operating temperature:-40℃ ~ +125℃.

■ Applications

- General Electronic.
- Video Device,TV,TFT.
- Power Module for PC.
- NB/Lap Top Computer.
- Server,VGA Card/Module.

■ Product Identification

YSPI □□□□ - □□□ □
(1) (2) (3) (4)

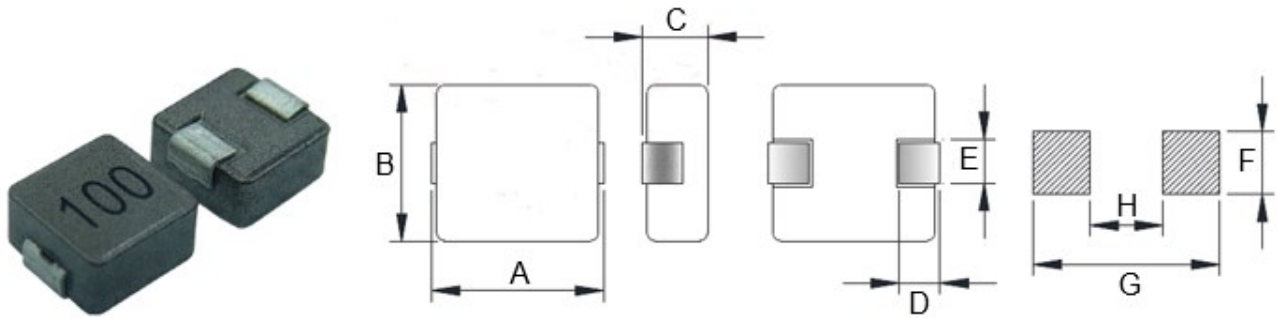
(1) : Type

(2) : Dimensions

(3) : Inductance value

(4) : Inductance Tolerance: N=±30%,M=±20%, K=±10%

■ 尺寸(单位: mm)



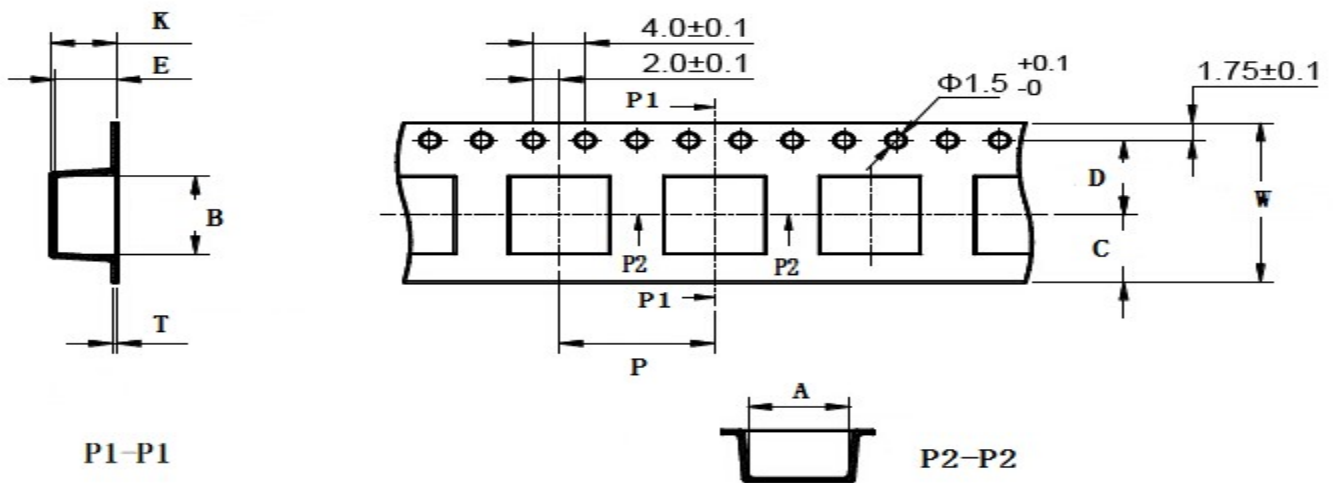
TYPE	A	B	C Max.	D	E Ref.	F Ref.	G Ref.	H Ref.
YSPI0420	4.4±0.5	4.2±0.3	2.0	1.0±0.3	1.5±0.5	2.3	4.9	2.1

■ YSPI0420 Series

Part Number	Inductance (uH) @100KHz	DC Resistance (mΩ)		Heat Rating Current (A)	Saturation Current (A)
		Typ.	Max.		
YSPI0420-R10□	0.10	5.5	8.0	12.0	25.0
YSPI0420-R22□	0.22	6.3	12.0	10.0	14.0
YSPI0420-R33□	0.33	8.0	10.0	8.5	12.5
YSPI0420-R47□	0.47	11.0	14.0	7.0	9.5
YSPI0420-R56□	0.56	13.0	20.0	6.5	9.0
YSPI0420-R68□	0.68	16.0	21.0	5.2	8.0
YSPI0420-1R0□	1.00	21.0	28.0	4.5	7.0
YSPI0420-1R2□	1.20	23.0	32.0	4.0	7.0
YSPI0420-1R5□	1.50	28.0	38.0	4.0	7.0
YSPI0420-2R2□	2.20	42.0	52.0	3.0	5.0
YSPI0420-3R3□	3.30	60.0	79.0	2.5	4.0
YSPI0420-4R7□	4.70	118	150	2.2	3.0
YSPI0420-6R8□	6.80	130	170	2.0	2.5
YSPI0420-8R2□	8.20	188	258	2.0	2.5
YSPI0420-100□	10.0	225	294	1.6	2.0
YSPI0420-220□	22.0	470	500	1.2	1.4

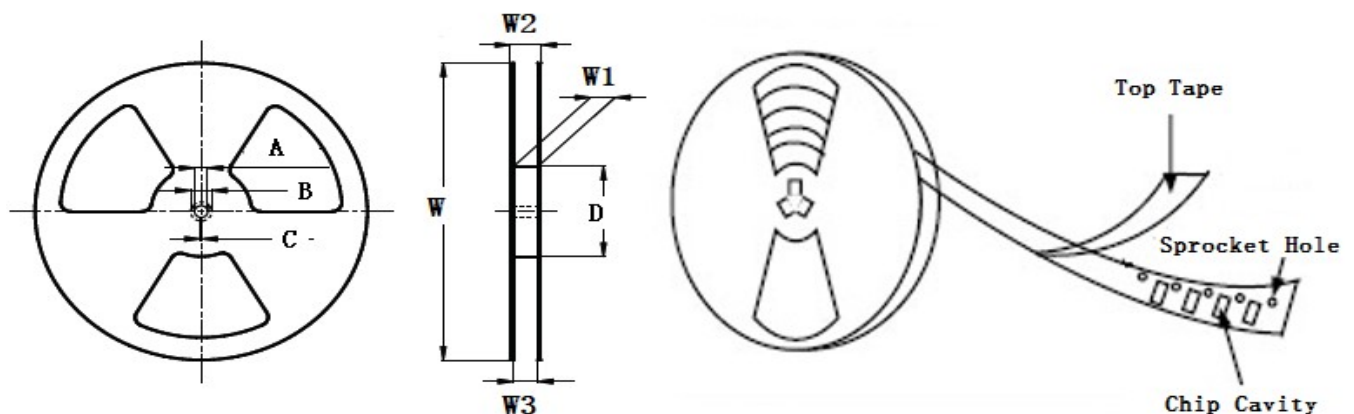
- ※ The saturation current value is the DC current value having inductance decrease down to 30%.(at 20°C)
- ※ The temperature rise current value is the DC current value having temperature increase up to 40°C. (at 20°C)
- ※ The rated current is the DC current value that satisfies both of current value saturation current value and temperature rise current value.

■ Taping Dimensions(Unit:mm)



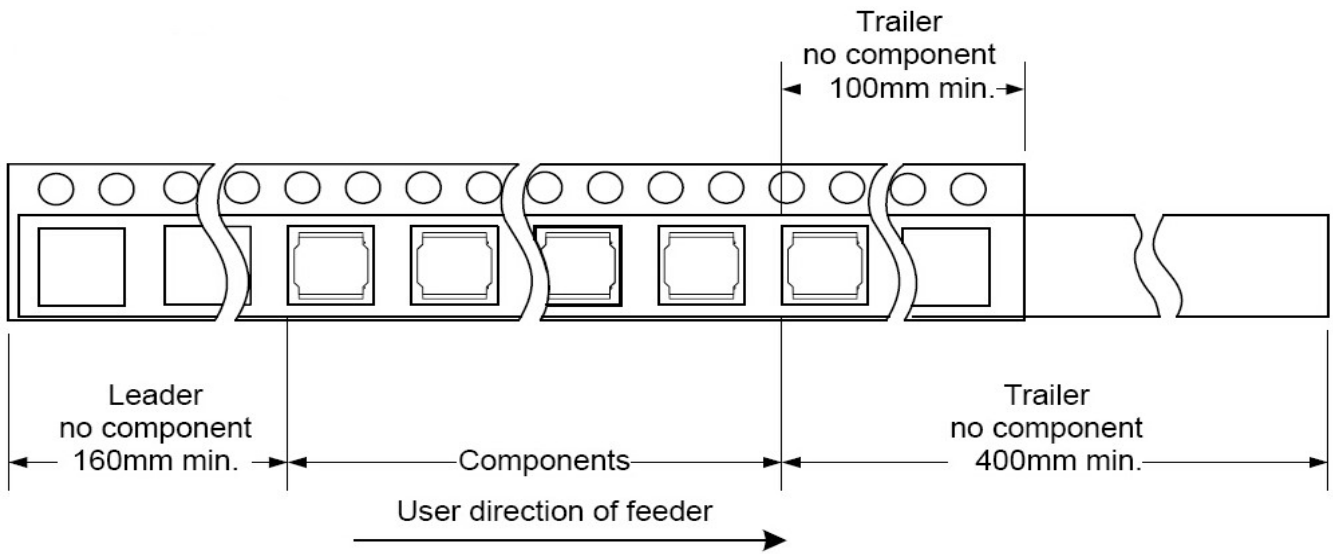
TYPE	W	A	B	C	D	E	P	K Ref	T	MPQ
YSPI0420	12±0.3	4.3±0.1	5.10±0.1	4.75	5.5±0.1	2.1±0.1	8±0.1	2.2	0.30±0.05	3000

■ Reel Dimensions(Unit:mm)

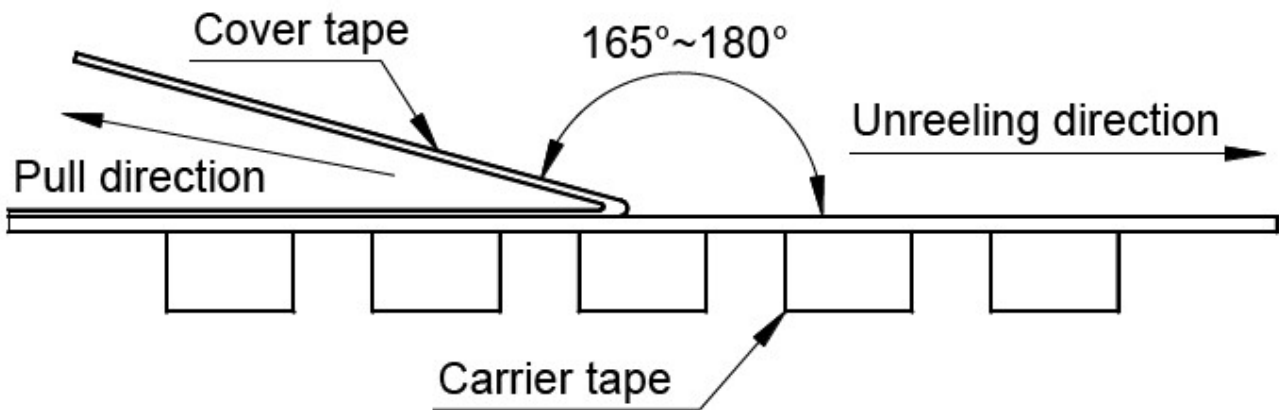


TYPE	W	W1	W2	W3	A	B	C	D
YSPI0420	330±2.0	12.4±1.50	18.4MAX	11.9Min	13.0±0.50	21.0±0.80	2.0±0.50	100 Min

Direction of rolling



Cover tape peel off condition



Cover tape peel force shall be 0.1N to 1.3N.

Reference peel speed 300±10mm/min.