

## ■ Features

- Ultra low profile.
- Magnetic shielded for low radiation.
- Bobbin ferrite core and compact size.
- Low core loss for high frequency power application.
- Large terminal surface for good PCB bonding.
- Operating temperature:-40°C ~ +125°C.

## ■ Applications

- Portable communication equipment.
- Notebook PC,digital camera,LCD television set.
- Power supply for VTR,OA equipment.
- DC/DC converters.

## ■ Product Identification

$\frac{\text{YPRH}}{(1)}$      $\frac{\square\square\square\square}{(2)}$  -  $\frac{\square\square\square}{(3)}$      $\frac{\square}{(4)}$

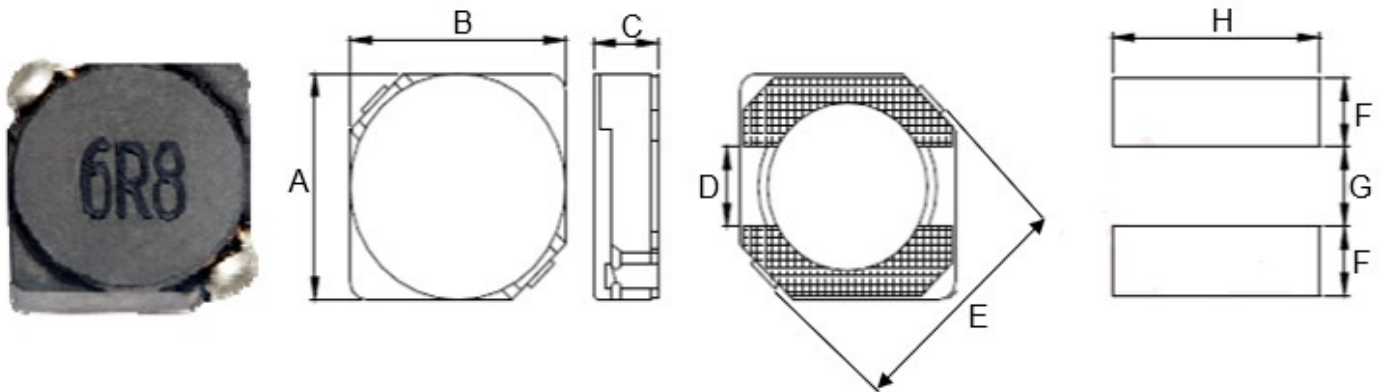
(1) : Type

(2) : Dimensions

(3) : Inductance value

(4) : Inductance Tolerance; N=±30%,M=±20%, K=±10%

**■ Shapes and Dimensions (Unit: mm)**



TYPE	A	B	C max.	D	E	F Ref.	G Ref.	H Ref.
YPRH5D28	5.7±0.3	5.7±0.3	3.0	2.00	8.2	2.15	2.0	6.3

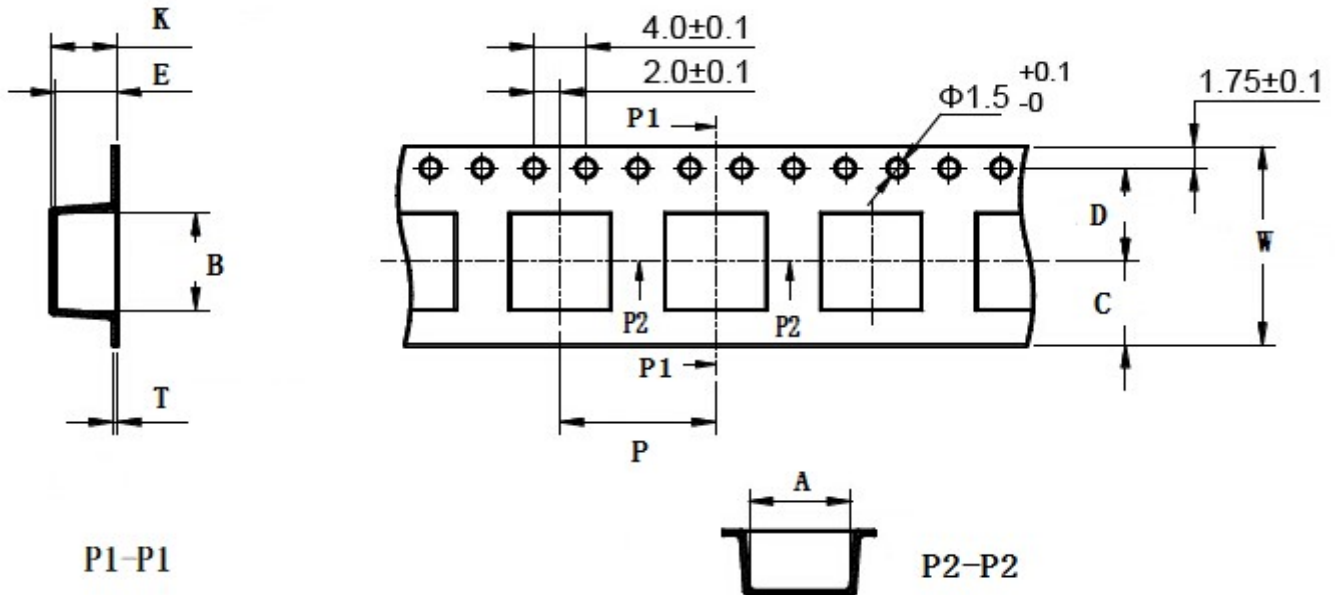
**■ YPRH5D28 Series**

Part Number	Inductance (uH)	Test Freq.(KHz)	DCR MAX.(Ω)	Rated Current (A)
YPRH5D28-1R0□	1.0	100	0.015	2.80
YPRH5D28-2R2□	2.2	100	0.023	2.60
YPRH5D28-3R3□	3.3	100	0.029	2.40
YPRH5D28-4R7□	4.7	100	0.036	2.10
YPRH5D28-5R6□	5.6	100	0.038	1.90
YPRH5D28-6R8□	6.8	100	0.048	1.80
YPRH5D28-8R2□	8.2	100	0.053	1.60
YPRH5D28-100□	10.0	100	0.065	1.30
YPRH5D28-120□	12.0	100	0.076	1.20
YPRH5D28-150□	15.0	100	0.103	1.10
YPRH5D28-180□	18.0	100	0.110	1.00
YPRH5D28-220□	22.0	100	0.122	0.90
YPRH5D28-270□	27.0	100	0.175	0.85
YPRH5D28-330□	33.0	100	0.189	0.75

Part Number	Inductance (uH)	Test Freq.(KHz)	DCR MAX.(Ω)	Rated Current (A)
YPRH5D28-390□	39.0	100	0.212	0.70
YPRH5D28-470□	47.0	100	0.260	0.62
YPRH5D28-560□	56.0	100	0.305	0.58
YPRH5D28-680□	68.0	100	0.355	0.52
YPRH5D28-820□	82.0	100	0.463	0.46
YPRH5D28-101□	100	100	0.520	0.42
YPRH5D28-121□	120	100	0.560	0.40
YPRH5D28-151□	150	100	0.680	0.35
YPRH5D28-181□	180	100	0.930	0.32
YPRH5D28-221□	220	100	1.150	0.30
YPRH5D28-271□	270	100	1.560	0.27
YPRH5D28-331□	330	100	1.980	0.25

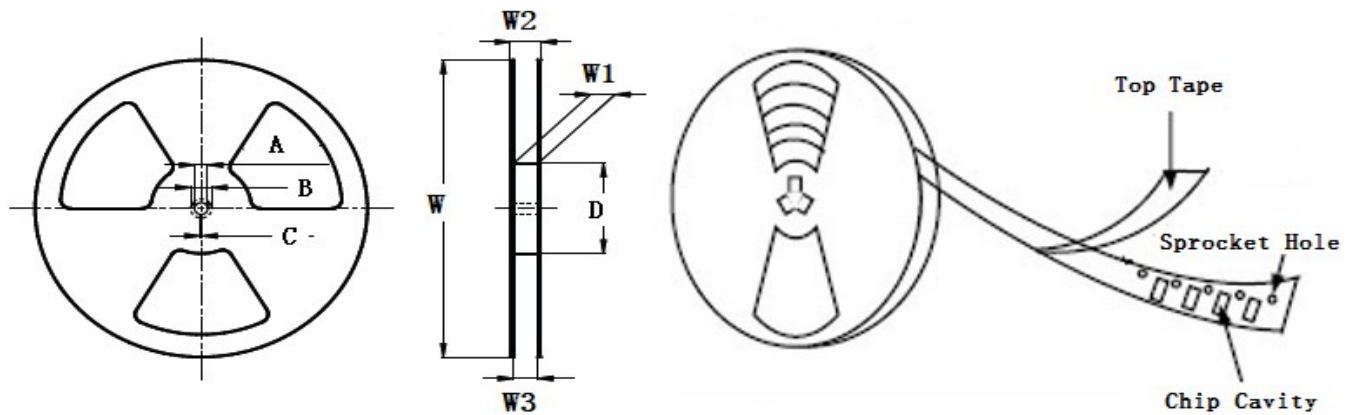
- ※ The saturation current value is the DC current value having inductance decrease down to 30%.(at 20°C)
- ※ The temperature rise current value is the DC current value having temperature increase up to 40°C. (at 20°C)
- ※ The rated current is the DC current value that satisfies both of current value saturation current value and temperature rise current value.

**Taping Dimensions(Unit:mm)**



TYPE	W	A	B	C	D	E	P	K Ref	T	MPQ
YPRH5D28	16±0.3	6.20±0.1	6.20±0.1	6.75	7.5±0.1	2.80±0.1	12±0.1	3.00	0.30±0.05	2000

**Reel Dimensions(Unit:mm)**



TYPE	W	W1	W2	W3	A	B	C	D
YPRH5D28	330±2.0	16.4±2.0	22.4 Max	15.9 Min	13.0±0.50	21.0±0.80	2.0±0.50	100 Min

**Direction of rolling**



**Cover tape peel off condition**



Cover tape peel force shall be 0.1N to 1.3N.

Reference peel speed  $300 \pm 10$ mm/min.