

## ■ Features

- Ultra low profile.
- Magnetic shielded for low radiation.
- Bobbin ferrite core and compact size.
- Low core loss for high frequency power application.
- Large terminal surface for good PCB bonding.
- Operating temperature:-40°C ~ +125°C.

## ■ Applications

- Portable communication equipment.
- Notebook PC,digital camera,LCD television set.
- Power supply for VTR,OA equipment.
- DC/DC converters.

## ■ Product Identification

$\frac{\text{YPRH}}{(1)}$      $\frac{\square\square\square\square}{(2)}$  -  $\frac{\square\square\square}{(3)}$      $\frac{\square}{(4)}$

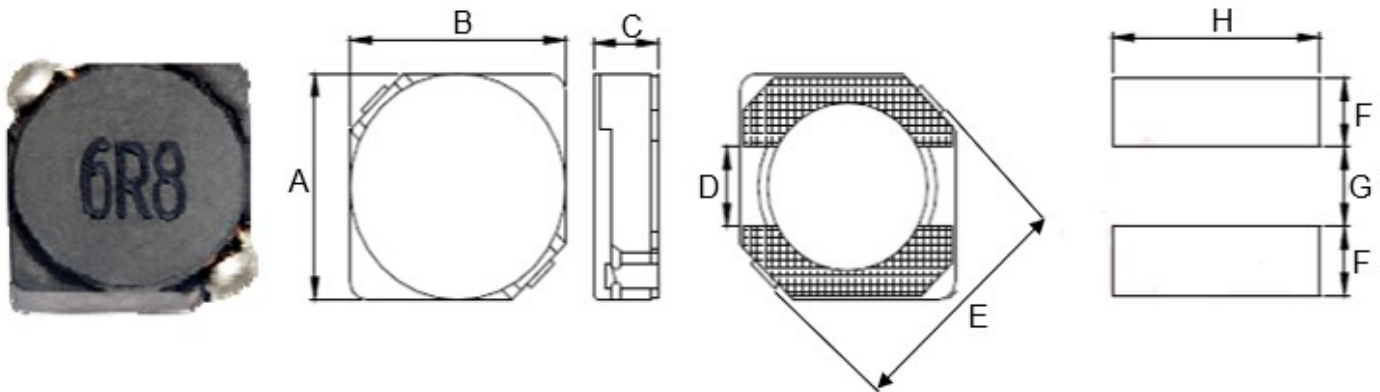
(1) : Type

(2) : Dimensions

(3) : Inductance value

(4) : Inductance Tolerance; N=±30%,M=±20%, K=±10%

**■ Shapes and Dimensions (Unit: mm)**



TYPE	A	B	C max.	D	E	F Ref.	G Ref.	H Ref.
YPRH4D18	4.7±0.3	4.7±0.3	2.0	1.50	6.9	1.9	1.5	5.3

**■ YPRH4D18 Series**

Part Number	Inductance (uH)	Test Freq.(KHz)	DCR MAX.(Ω)	Rated Current (A)
YPRH4D18-1R0□	1.0	100	0.045	1.72
YPRH4D18-2R2□	2.2	100	0.075	1.32
YPRH4D18-2R7□	2.7	100	0.105	1.28
YPRH4D18-3R3□	3.3	100	0.110	1.04
YPRH4D18-3R9□	3.9	100	0.155	0.88
YPRH4D18-4R7□	4.7	100	0.162	0.84
YPRH4D18-5R6□	5.6	100	0.170	0.80
YPRH4D18-6R8□	6.8	100	0.200	0.76
YPRH4D18-8R2□	8.2	100	0.245	0.68
YPRH4D18-100□	10.0	100	0.200	0.61
YPRH4D18-120□	12.0	100	0.210	0.56
YPRH4D18-150□	15.0	100	0.240	0.50
YPRH4D18-180□	18.0	100	0.338	0.48

Part Number	Inductance (uH)	Test Freq.(KHz)	DCR MAX.(Ω)	Rated Current (A)
YPRH4D18-220□	22.0	100	0.397	0.41
YPRH4D18-270□	27.0	100	0.441	0.35
YPRH4D18-330□	33.0	100	0.694	0.32
YPRH4D18-390□	39.0	100	0.709	0.30
YPRH4D18-470□	47.0	100	0.922	0.28
YPRH4D18-560□	56.0	100	1.080	0.26
YPRH4D18-680□	68.0	100	1.300	0.24
YPRH4D18-820□	82.0	100	1.550	0.22
YPRH4D18-101□	100	100	1.730	0.20
YPRH4D18-121□	120	100	2.390	0.18
YPRH4D18-151□	150	100	2.670	0.15
YPRH4D18-181□	180	100	4.000	0.14

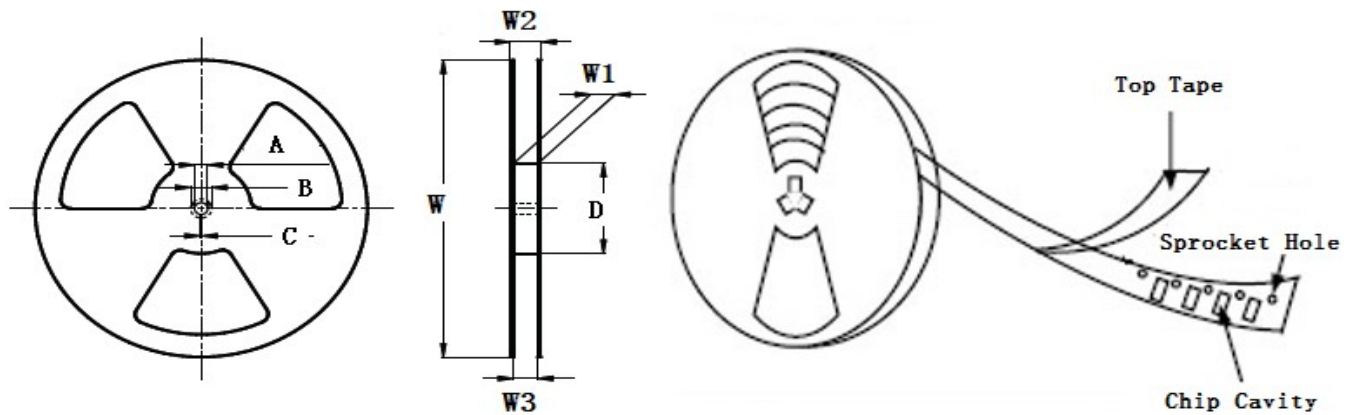
- ※ The saturation current value is the DC current value having inductance decrease down to 30%.(at 20°C)
- ※ The temperature rise current value is the DC current value having temperature increase up to 40°C. (at 20°C)
- ※ The rated current is the DC current value that satisfies both of current value saturation current value and temperature rise current value.

**Taping Dimensions(Unit:mm)**



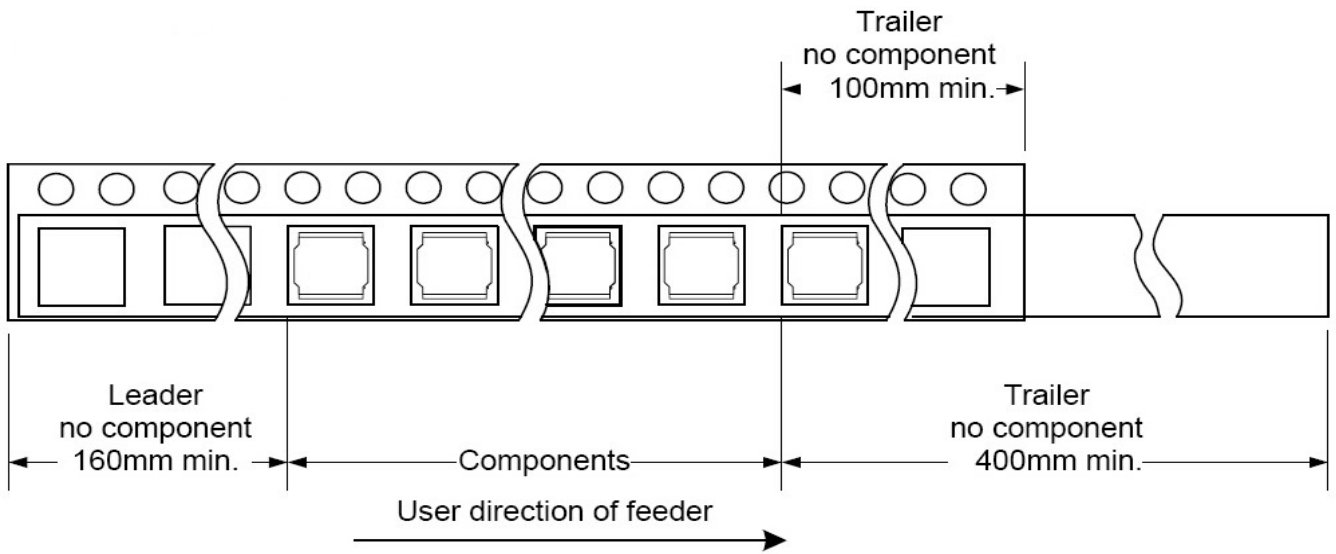
TYPE	W	A	B	C	D	E	P	K Ref	T	MPQ
YPRH4D18	12±0.3	5.40±0.1	5.40±0.1	4.75	5.5±0.1	3.25±0.1	8.0±0.1	3.45	0.30±0.05	3000

**Reel Dimensions(Unit:mm)**

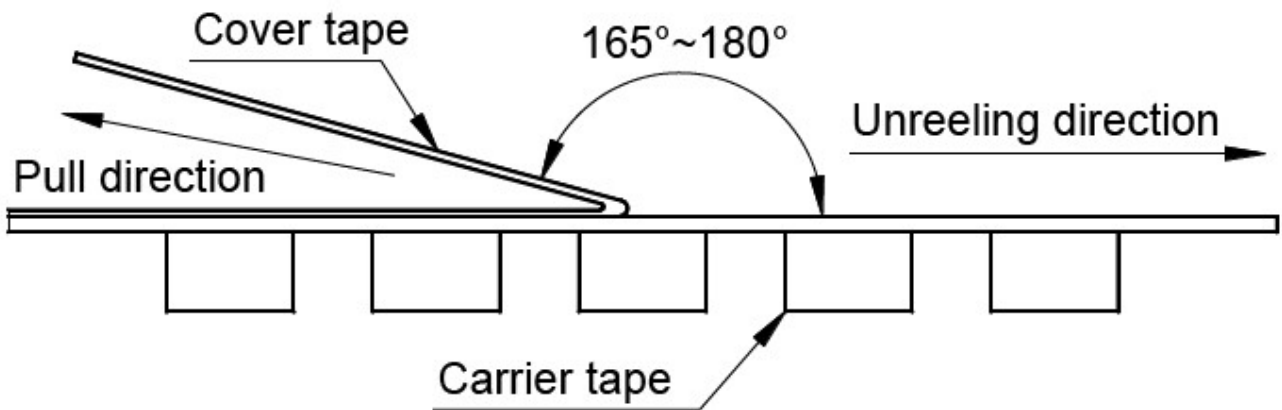


TYPE	W	W1	W2	W3	A	B	C	D
YPRH4D18	330±2.0	12.4±2.0	18.4 Max	11.9 Min	13.0±0.50	21.0±0.80	2.0±0.50	100 Min

**Direction of rolling**



**Cover tape peel off condition**



Cover tape peel force shall be 0.1N to 1.3N.

Reference peel speed  $300 \pm 10$ mm/min.