

■ Features

- Ultra low profile.
- Magnetic shielded for low radiation.
- Bobbin ferrite core and compact size.
- Low core loss for high frequency power application.
- Large terminal surface for good PCB bonding.
- Operating temperature:-40°C ~ +125°C.

■ Applications

- Portable communication equipment.
- Notebook PC,digital camera,LCD television set.
- Power supply for VTR,OA equipment.
- DC/DC converters.

■ Product Identification

$\frac{\text{YPRH}}{(1)}$ $\frac{\square\square\square\square}{(2)}$ - $\frac{\square\square\square}{(3)}$ $\frac{\square}{(4)}$

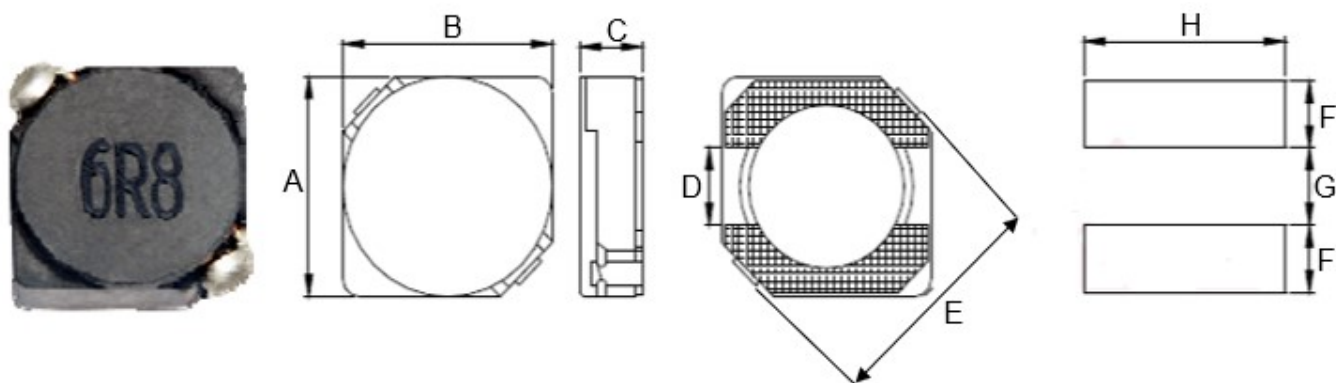
(1) : Type

(2) : Dimensions

(3) : Inductance value

(4) : Inductance Tolerance; N=±30%,M=±20%, K=±10%

■ Shapes and Dimensions (Unit: mm)



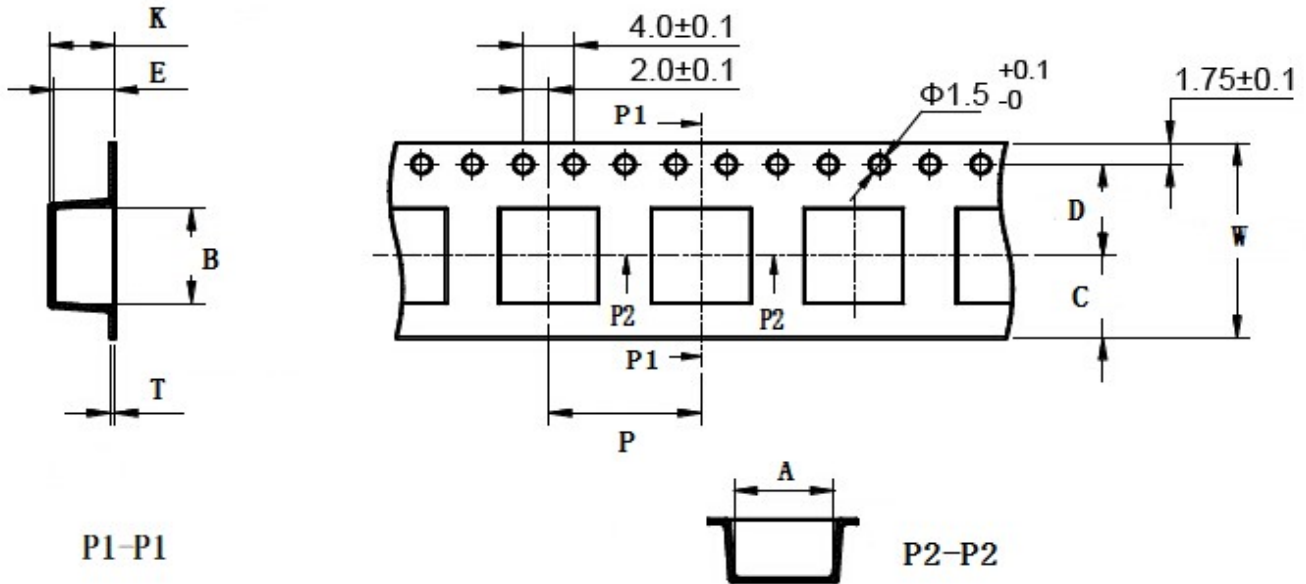
TYPE	A	B	C max.	D	E	F Ref.	G Ref.	H Ref.
YPRH3D28	3.8±0.3	3.8±0.3	3.1	1.15	5.2	1.6	1.2	4.4

■ YPRH3D28 Series

Part Number	Inductance (uH)	Test Freq.(KHz)	DCR MAX.(Ω)	Rated Current (A)
YPRH3D28-3R3□	3.3	100	0.036	0.90
YPRH3D28-4R7□	4.7	100	0.046	0.80
YPRH3D28-6R8□	6.8	100	0.055	0.60
YPRH3D28-100□	10.0	100	0.092	0.50
YPRH3D28-120□	12.0	100	0.100	0.45
YPRH3D28-150□	15.0	100	0.113	0.40
YPRH3D28-180□	18.0	100	0.125	0.35
YPRH3D28-220□	22.0	100	0.146	0.33
YPRH3D28-270□	27.0	100	0.176	0.29
YPRH3D28-330□	33.0	100	0.214	0.28
YPRH3D28-390□	39.0	100	0.225	0.25
YPRH3D28-470□	47.0	100	0.304	0.23
YPRH3D28-560□	56.0	100	0.324	0.20
YPRH3D28-680□	68.0	100	0.472	0.18
YPRH3D28-820□	82.0	100	0.539	0.17
YPRH3D28-101□	100	100	0.608	0.16
YPRH3D28-121□	120	100	0.757	0.13
YPRH3D28-151□	150	100	0.882	0.12
YPRH3D28-181□	180	100	1.130	0.11
YPRH3D28-221□	220	100	1.269	0.10

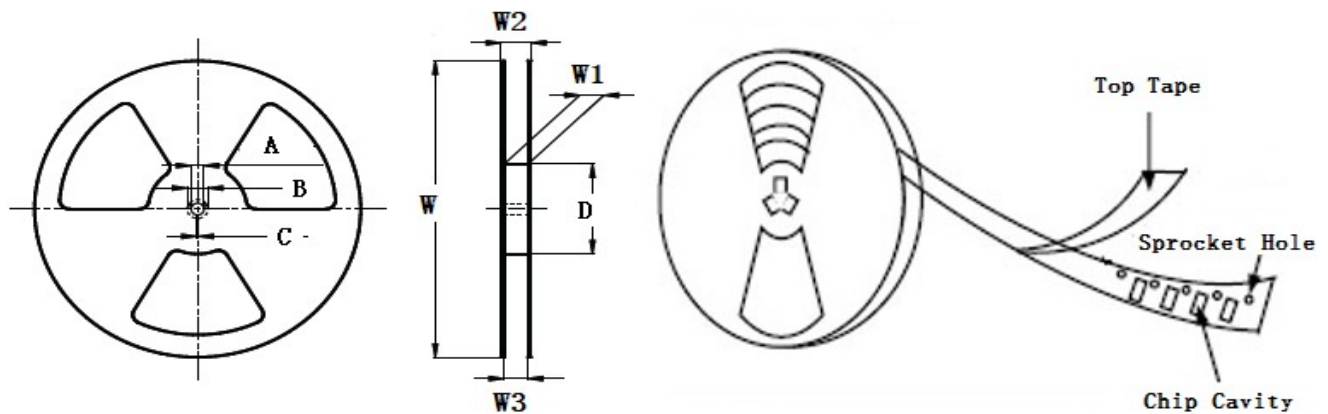
- ※ The saturation current value is the DC current value having inductance decrease down to 30%.(at 20°C)
- ※ The temperature rise current value is the DC current value having temperature increase up to 40°C. (at 20°C)
- ※ The rated current is the DC current value that satisfies both of current value saturation current value and temperature rise current value.

■ Taping Dimensions(Unit:mm)



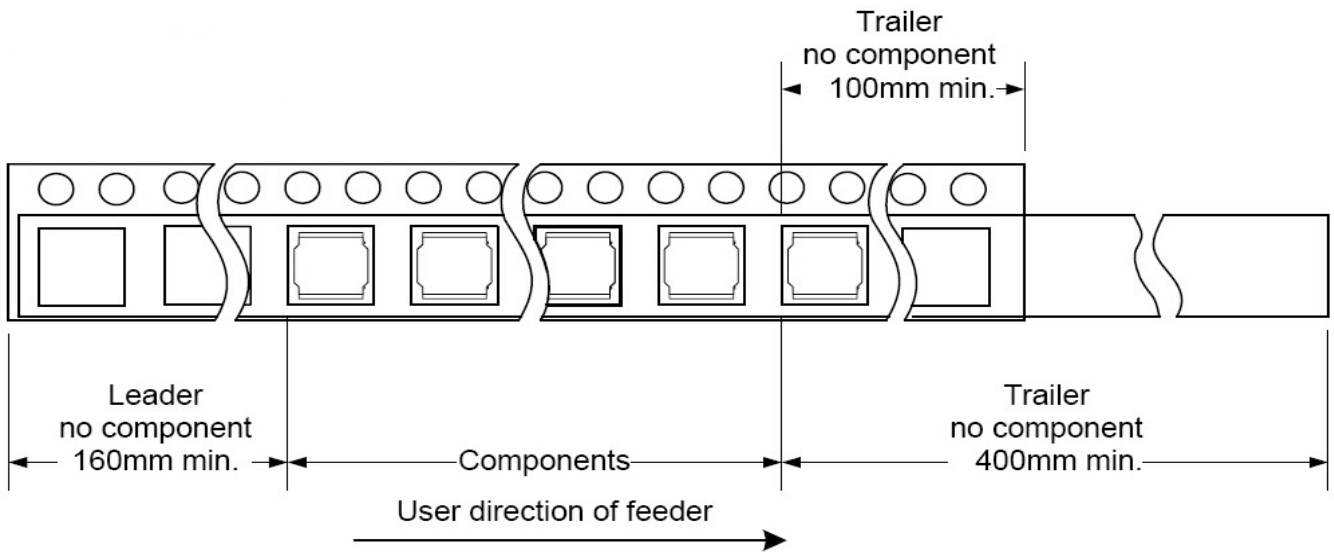
TYPE	W	A	B	C	D	E	P	K Ref	T	MPQ
YPRH3D28	12±0.3	4.35±0.1	4.35±0.1	4.75	5.5±0.1	3.25±0.1	8.0±0.1	3.45	0.40±0.05	3500

■ Reel Dimensions(Unit:mm)



TYPE	W	W1	W2	W3	A	B	C	D
YPRH3D28	330±2.0	12.4±2.0	13.5MAX	11.9 Min	13.0±0.50	21.0±0.80	2.0±0.50	100 Min

Direction of rolling



Cover tape peel off condition



Cover tape peel force shall be 0.1N to 1.3N.

Reference peel speed 300 ± 10 mm/min.